

Weller®/Ungar®

Weller®

AG75
AG700
AG701
AG701S
C1C
D550
D650
DEC1001
DS58
DS59
DS100
DS200
DS500
DS500E
DS600
DS700M
DS800
DS1000/ESD
DS2000/ESD
DTL1000
EC1001/EC2001
EC1002-O
EC1002S-O
EC1201A/P/PESD
EC1201AFE
EC1301/ESD
EC1301R
EC1302
EC1302A
EC1503
EC1503A
EC2000 (EC2002A)
EC2000 (EC2002B)
EC2002-O
EC2002M-O
EC3000/EC4000/EC3000ESD/
EC4000ESD
EC3001/EC3001ESD
EC4001/EC4001ESD
GEC120

HAP 701
HYC3000
MC5000
MC5001
MT1000
MT1500
P1
PSI100
TC201-FE
TCP12P/TCP24P
W60P-W100P
WA2000
WAX1
WCC100
WHA1000
WHA2000
WLC100
WLC200
WP25/30/35
WP40S/60S/60H/100S
WPA2
WRS1000
WRS3000
WST2
WST20
WSTA3
WT50
WTCPN
WTCPR
WTCPS
WTCPT
WTLE
WTLE/ESD
WTL24
WTL120
WTL1000
WTT1000
7200
8200

Ungar®

1095
2110S/T
2024
4024
4088AS
4098AS
4624
4924
5088AS
5098AS
6966C
6970
921ZX1
9300 Series
9900AS
DI Series
Imperial Series
Standard Series (Handles)
Standard Series (Heating Elements)
UTC100/200/200HC/300



Replacement Parts

When ordering parts from your original supplier,
be sure you mention the
product model number and the part number
of the replacement part.

Should your equipment require repair or adjustment,
it may be sent to:

CooperTools - Weller Plant

815 State Road

Cheraw, S.C. 29520

Attn.: Repair Department

Tel: (803) 537-5167 Ext. 237

or

Tel: (800) 476-3030 Ext. 2

FAX: (803) 537-0952

For Technical Service:

Tel: (803) 537-5167 Ext.'s 214 or 322

or

Tel: (800) 476-3030 Ext. 1

FAX: (803) 537-0952

Warranty

CooperTools warrants the Weller and Ungar soldering stations, desoldering stations (excluding soldering and desoldering tips), soldering guns, non-temperature controlled soldering irons manufactured by CooperTools will be free from defects in material and workmanship for a period of 12 months from date of purchase. This warranty does not include damage resulting from accident, misuse of the product, or any alterations of the product (use of a non-Weller component).

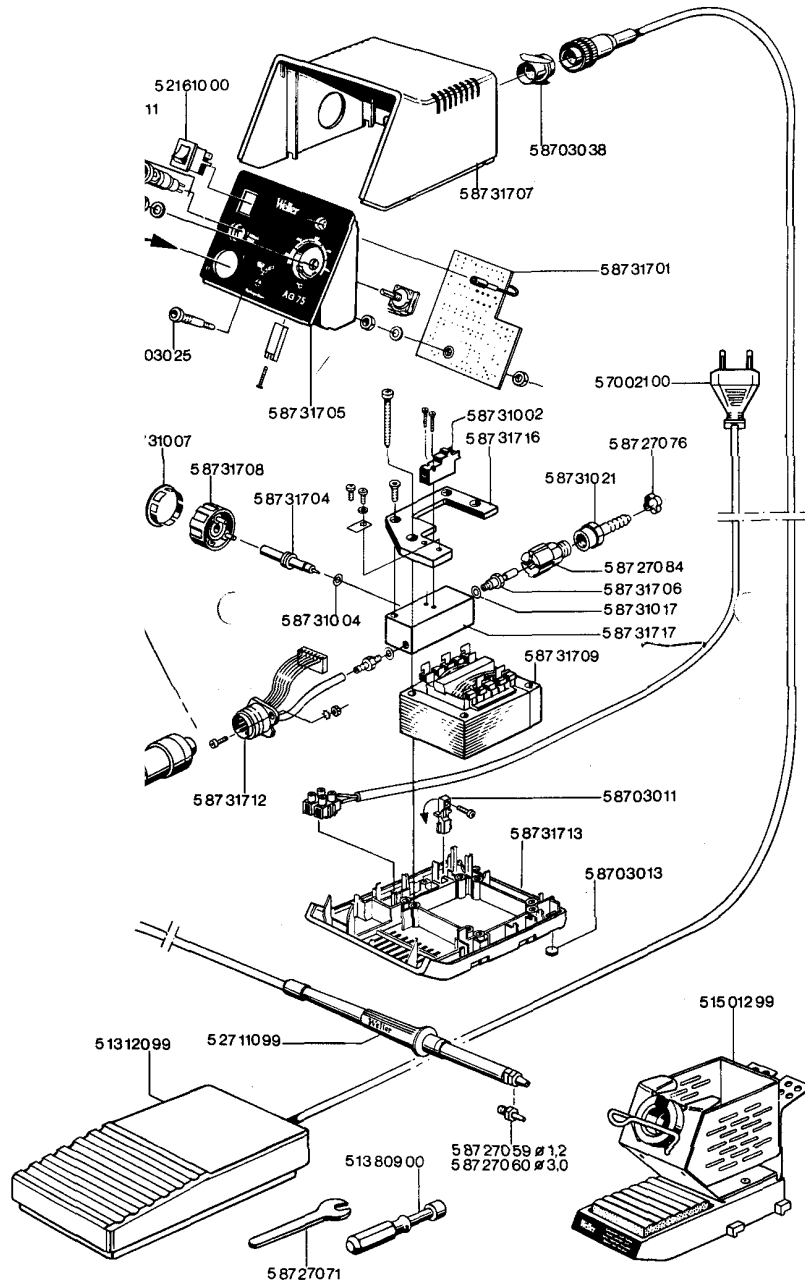
Return the complete product prepaid to The Repair Department, Weller/Wire-Wrap, State Road, Cheraw, S.C., 29520. Please include the following information: description of the problem, approximate date of purchase, your name, address and telephone number.

In no event shall CooperTools be liable for incidental or consequential damages. CooperTools' liability for any claims arising out of this warranty shall not exceed the purchase price of the product.

Some states do not allow the exclusion or limitation of incidental or consequential damages, so the above limitation or exclusion may not apply to you. Some states do not allow limitation on how long an implied warranty lasts, so the above limitation may not apply to you.

AG75

Electronically Controlled Hot Air System



AG700

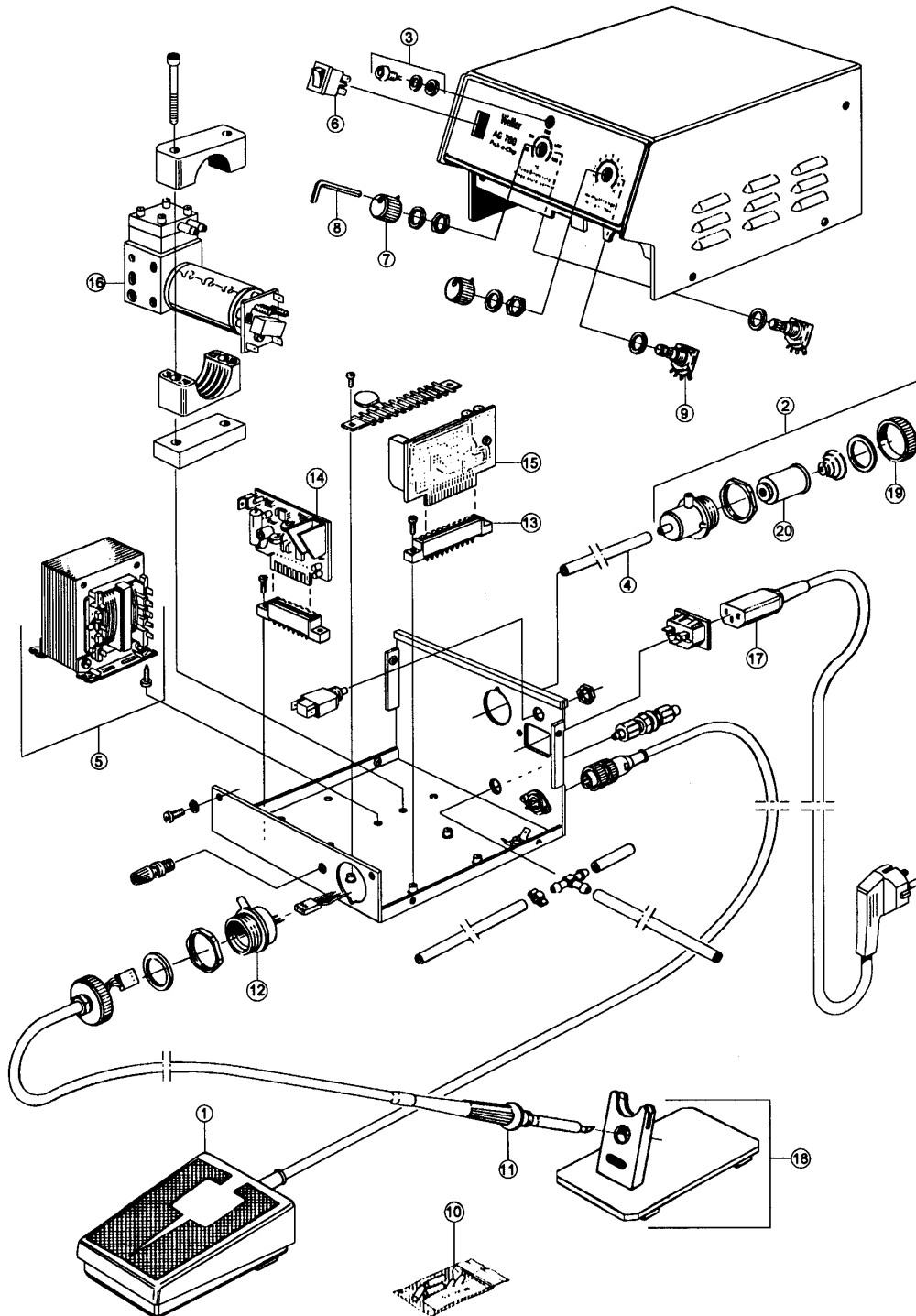
Hot Air System

Item No.	Part No.	Description	Suggested Resale
1	51312099	Foot Pedal	
2	51343699	Silencer	
3	51353500	Glue Diode	
4	51361200	Tube-Inside	
5	51365000	Transformer 220V	
6	52161000	On/Off Switch	
7	52446698	Knob	
8	52446900	Allen Hex Key	
9	92671300	Potentiometer	
10	52710099	Set Stainless Steel Tubes	
11	52715099	Hot Air Pencil	
12	52725498	Connection Part	
13	52734900	Socket for Circuit Board	
14	52735098	Circuit Board-Heating	
15	52735198	Circuit Board-Speed	
16	52872298	Pump	
17	57004000	Mains-Cord	
18	58704714	Holder	
19	58711006	Locking Cap	
20	58711700	Filter-Cartridge	
	58709004	Regulating Valve	
	58709700	Magnetic Valve	
	51357098	Holding Plate	
	51364100	Distance Bolt	
	58709701	Connecting Tube	
	58709706	Cord	

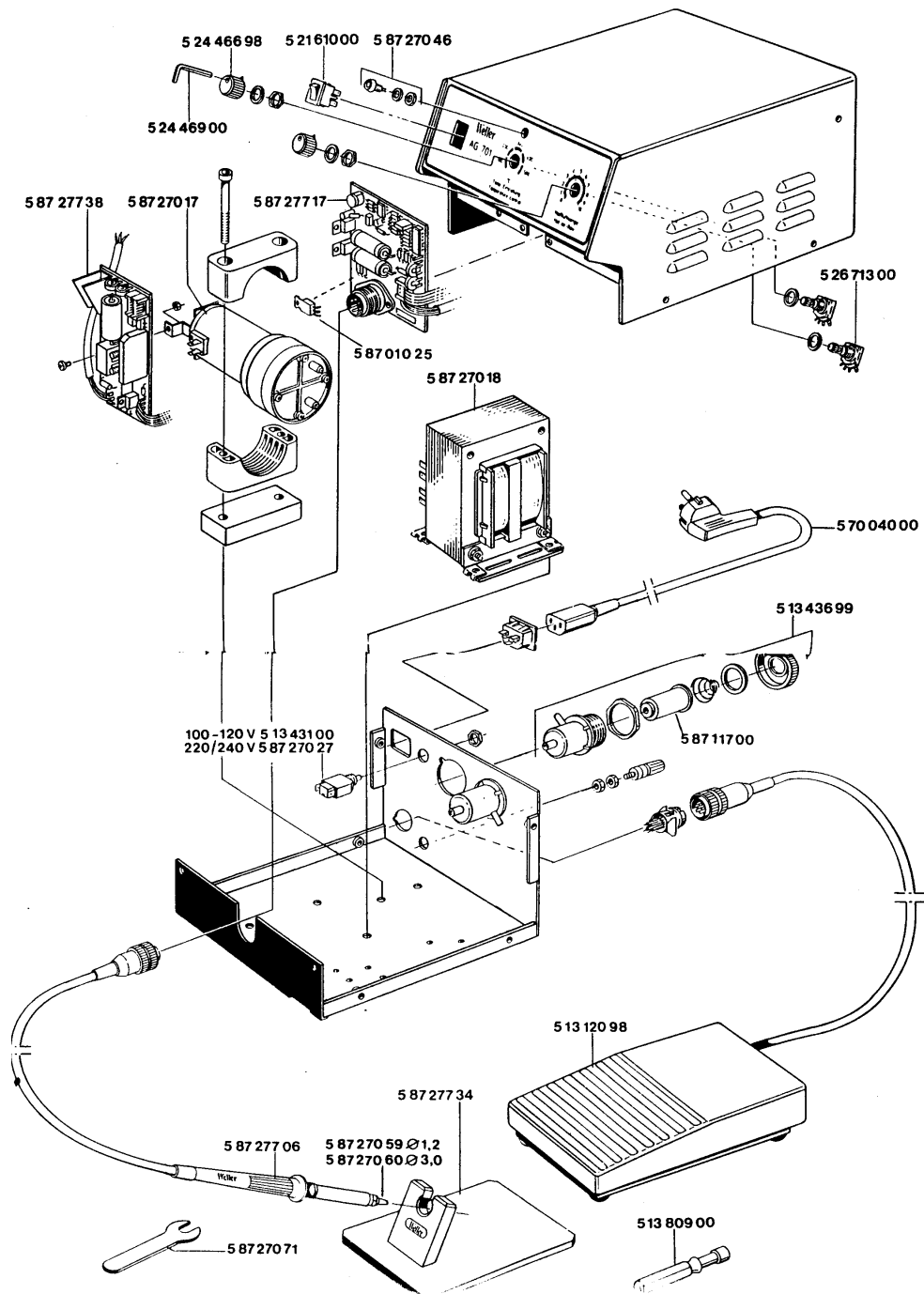
SEE ILLUSTRATION ON NEXT PAGE

AG700

Hot Air System (cont.)

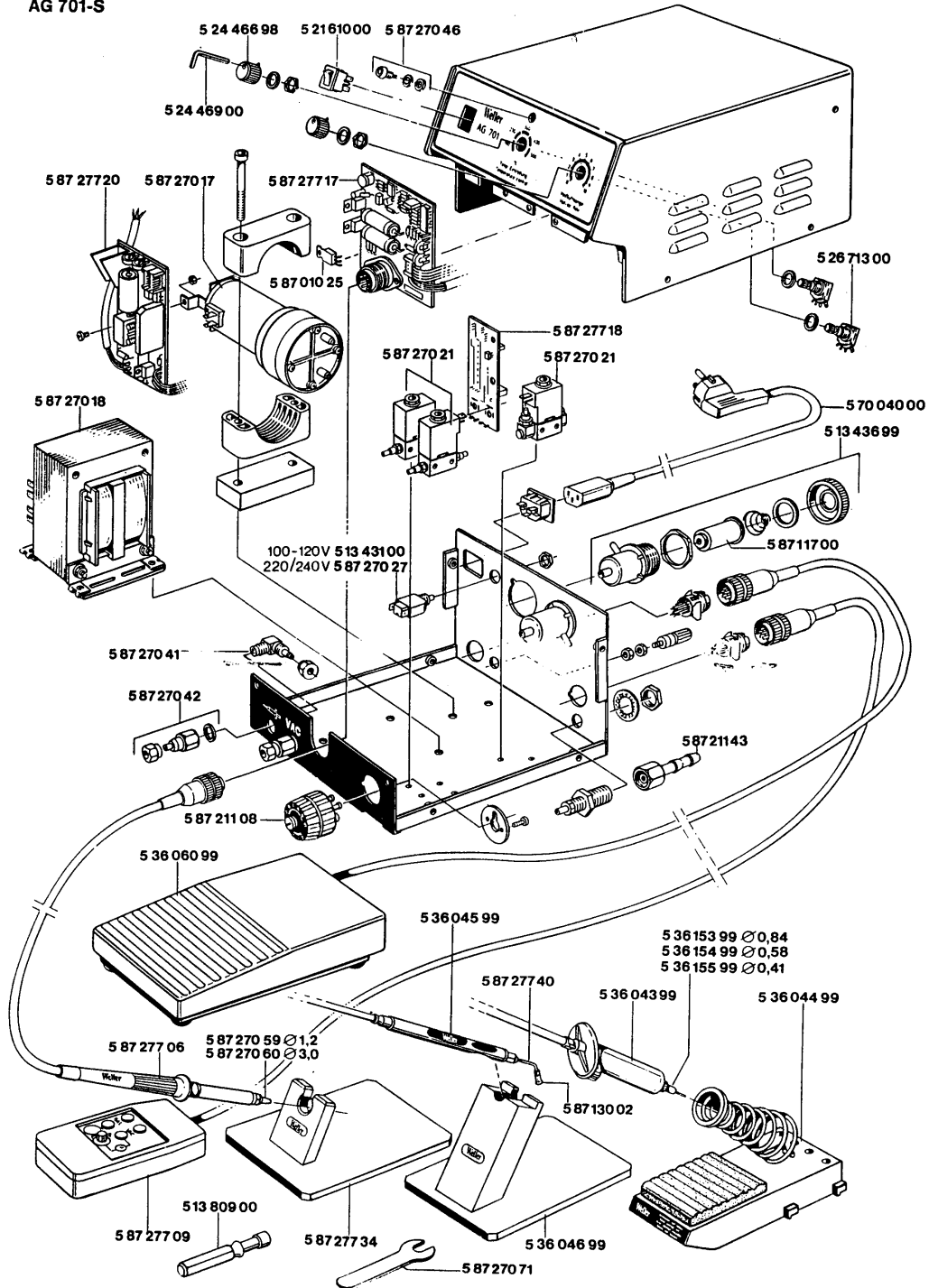


AG701



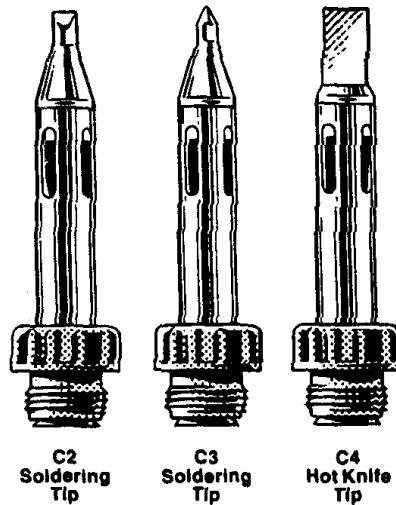
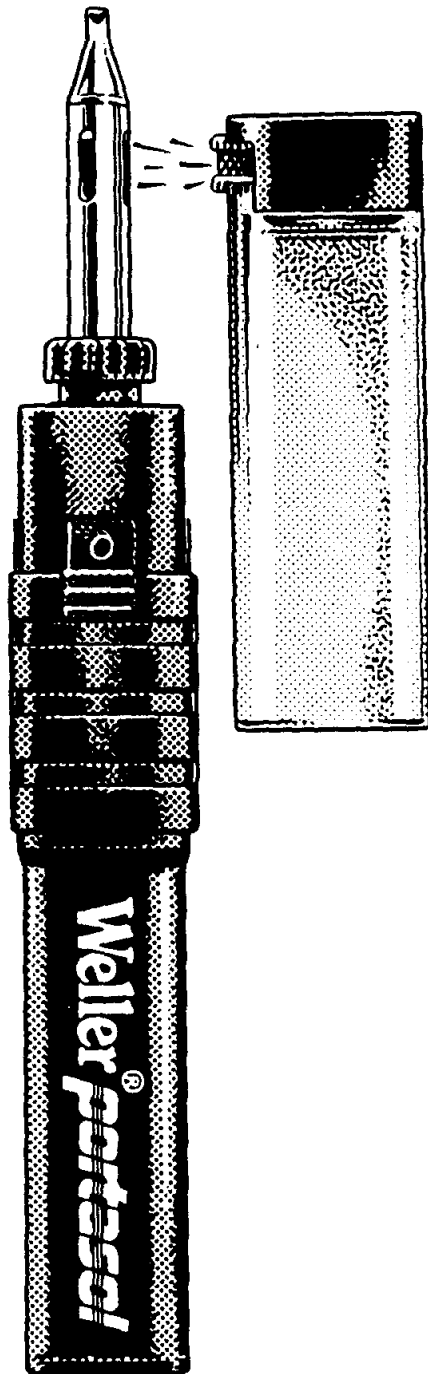
AG701S

AG 701-S



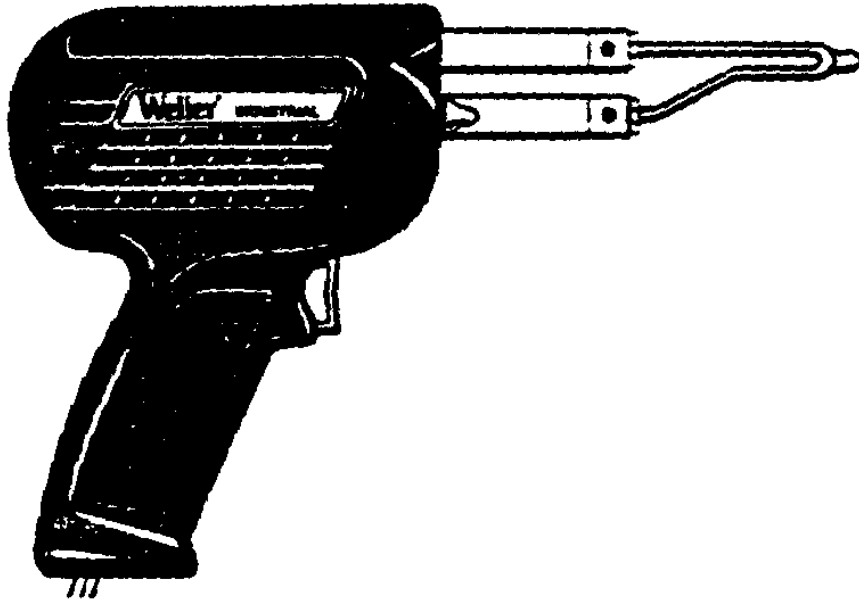
Portasol® C1C

Butane Gas Powered Soldering Tool



D550

Professional Soldering Gun

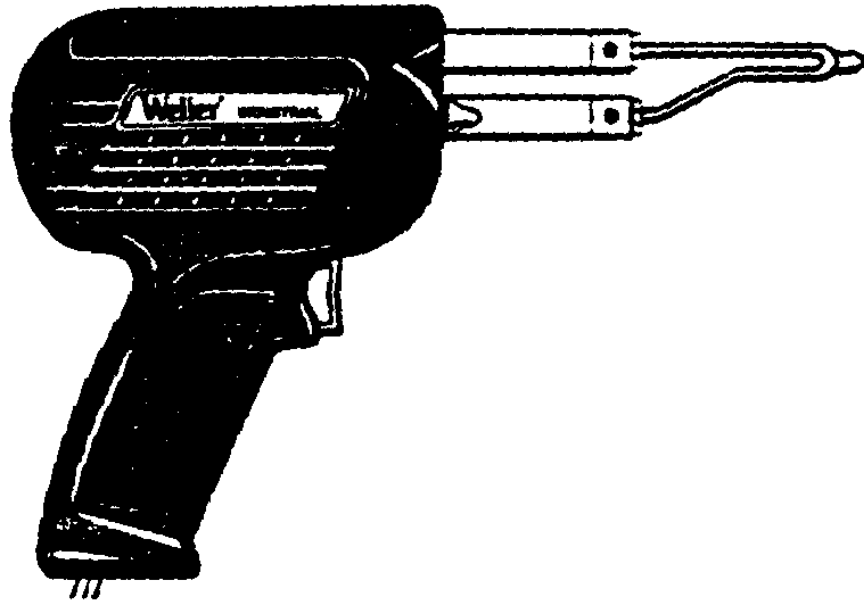


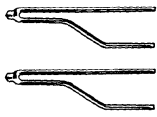

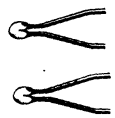
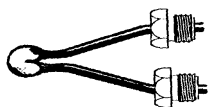
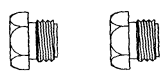
Part #	Description	Package Contents
7250	Soldering Tips (2 per package)	
7250AN	Soldering Tip with Hex Inserts & Acorn Nuts	
6150	Cutting Tips (2 per package)	
6130AN	Cutting Tip with Hex Inserts & Acorn Nuts	
6140AN	Smoothing Tip with Hex Inserts & Acorn Nuts	

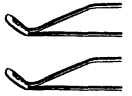


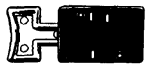

Part #	Description	Package Contents
6160	Smoothing Tips (2 per package)	
7194	Light Bulb	
7324	Switch	
8200-RH	Universal Housing (Right & Left Side)	

D650

Industrial Soldering Gun

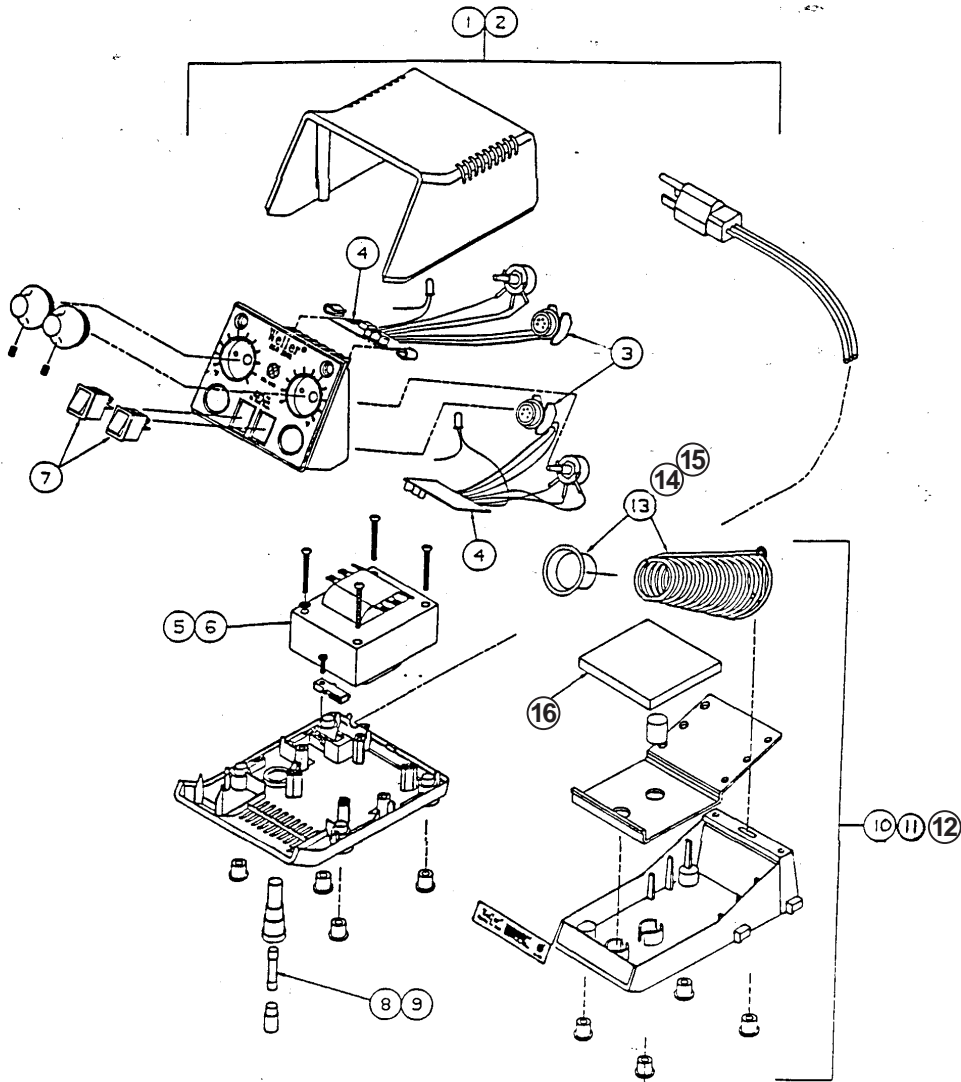


Part #	Description	Package Contents
7250	Soldering Tips (2 per package)	
7250N	Soldering Tip with Threaded Studs	
6150	Cutting Tips (2 per package)	
6130	Cutting Tip with Threaded Studs	
7417	Threaded Studs (2 per package)	

Part #	Description	Package Contents
6160	Smoothing Tips (2 per package)	
6140	Smoothing Tip with Threaded Studs	
7333	Light Bulb	
7324	Switch	
D650-RH D650RH	Industrial Housing (Right & Left side)	

DEC1001

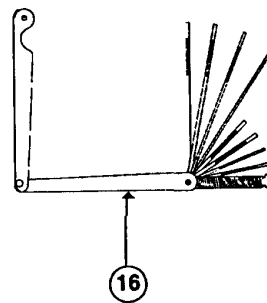
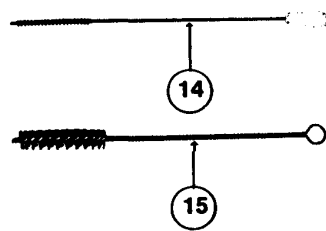
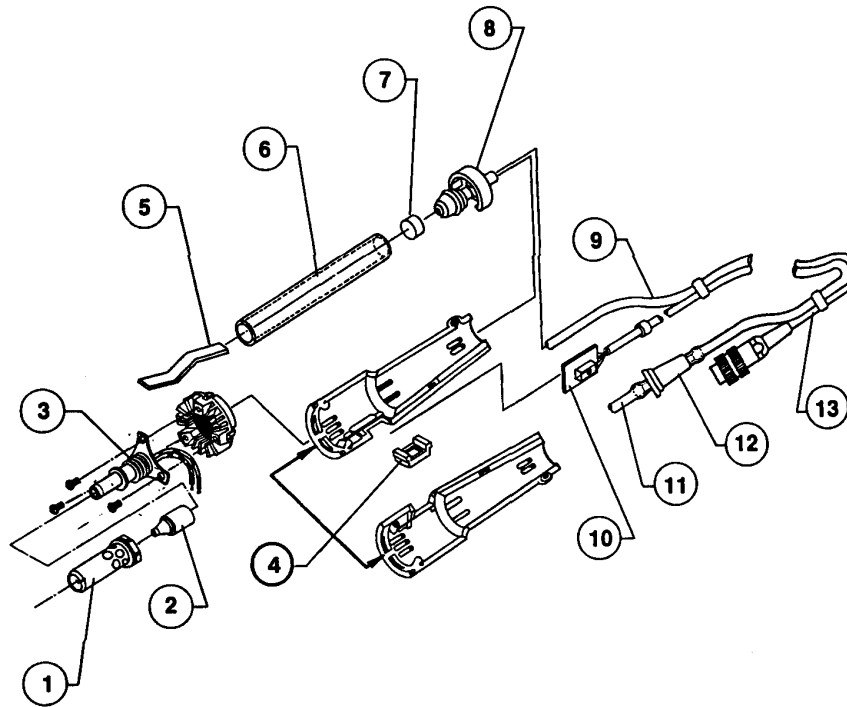
Dual Electronically Controlled Soldering Station



ITEM NO.	PART NO.	DESCRIPTION	ITEM NO.	PART NO.	DESCRIPTION
1	DEC1001	Dual Power Unit °F 120 Vac W/ Stand Ass'y	11	PH1301ESD	Iron Stand Assembly (EC1302A Iron)
2	DEC1001D	Dual Power Unit °C 240 Vac W/ Stand Ass'y	12	PH1503	Iron Stand Assembly (EC1503A Iron)
3	EC213	Receptacle Kit	13	TC204	Spring & Funnel Assembly (EC1201A Iron)
4	EC257	Control Board	14	IH225EC	Spring & Funnel Assembly (EC1302A Iron)
5	TR232	Transformer 120 Vac	15	EC254	Spring & Funnel Assembly (EC1503A Iron)
6	TR233	Transformer 240 Vac	16	TC205	Sponge
7	SW110	Switch			
8	FP2	Fuse 1.0A 120 Vac 1/4"D. x 1 1/4"L.			
9	F147	Fuse 0.5A 240 Vac 5mm Dia. x 20mm Lg.			
10	PH1201ESD	Iron Stand Assembly (EC1201A Iron)			

DS58

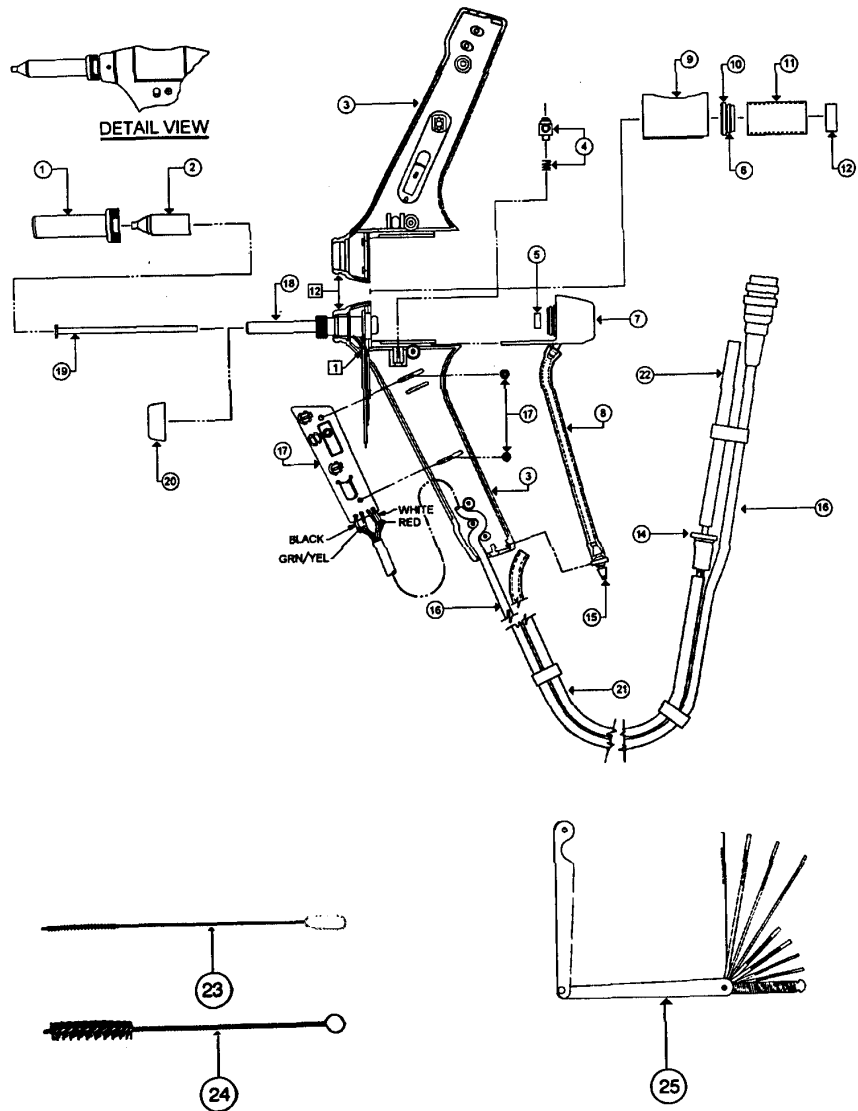
Desoldering Pencil



ITEM NO.	PART NO.	DESCRIPTION	ITEM NO.	PART NO.	DESCRIPTION
1	5039	Tip Retainer Assembly	11	5043	Vacuum Tube (Secondary Filter To Base)
2		Tip	12	2047	Secondary Filter
3	5040	Heater Assembly W/ Heat Shield	13	5044	Cordset Assembly
4	5048	Handle Halves W/ Button & Screws	14	4091	Stainless Steel Wire Brush
5	4084	"S" Filter (Pack of 5)	15	4092	Nylon Bristle Brush
6	4082	Solder Chamber (Glass)	16	2002	Tip Cleaning Tool
7	4083	Felt Filter (Pack 10)			
8	5049	End Cap W/ Rear Seal			
9	5035	Vacuum Tube (Handle To Secondary Filter)			
10	5042	Switch & Circuit Board Assembly			

DS59

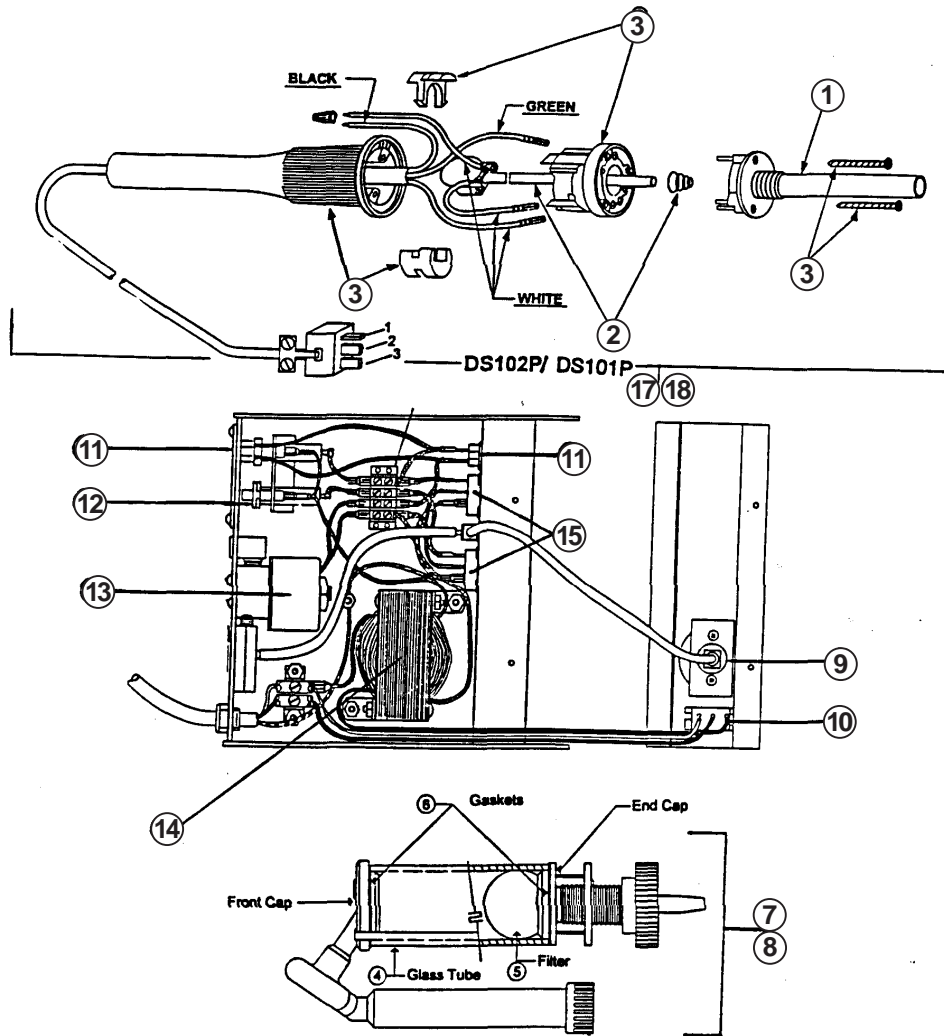
Desoldering Pistol



ITEM NO.	PART NO.	DESCRIPTION	ITEM NO.	PART NO.	DESCRIPTION
1	5020	Tip Retainer Assembly	14	2047	Secondary Filter
2		Tip	15	5029	Barbed Tube Connector
3	5047	Handle Halves W/ Button & Screws	16	5044	Cordset Assembly
4	5022	Switch Release W/ Spring	17	5031	Circuit Board Assembly W/ Fasteners
5	5037	Safety Filter (10 Pack)	18	5032	Heater Assembly
6	2036	O-Ring (Pack of 6)	19	5033	Solder Delivery Tube
7	5050	Rear Seal Assembly W/ Safety Filter	20	5034	Handle Ferrule
8	5024	Vacuum Tube (Handle)	21	5035	Vacuum Tube (Handle To Secondary Filter)
9	5046	Solder Caddy	22	5036	Vacuum Tube (Secondary To Filter To Base)
10	5026	Front Seal (Teflon) W/ O-Ring	23	4091	Stainless Steel Brush
11	5027	Solder Chamber (Glass)	24	4092	Nylon Bristle Brush
12	5028	Primary Filter (10 Pack)	25	2002	Tip Cleaning Tool

DS100

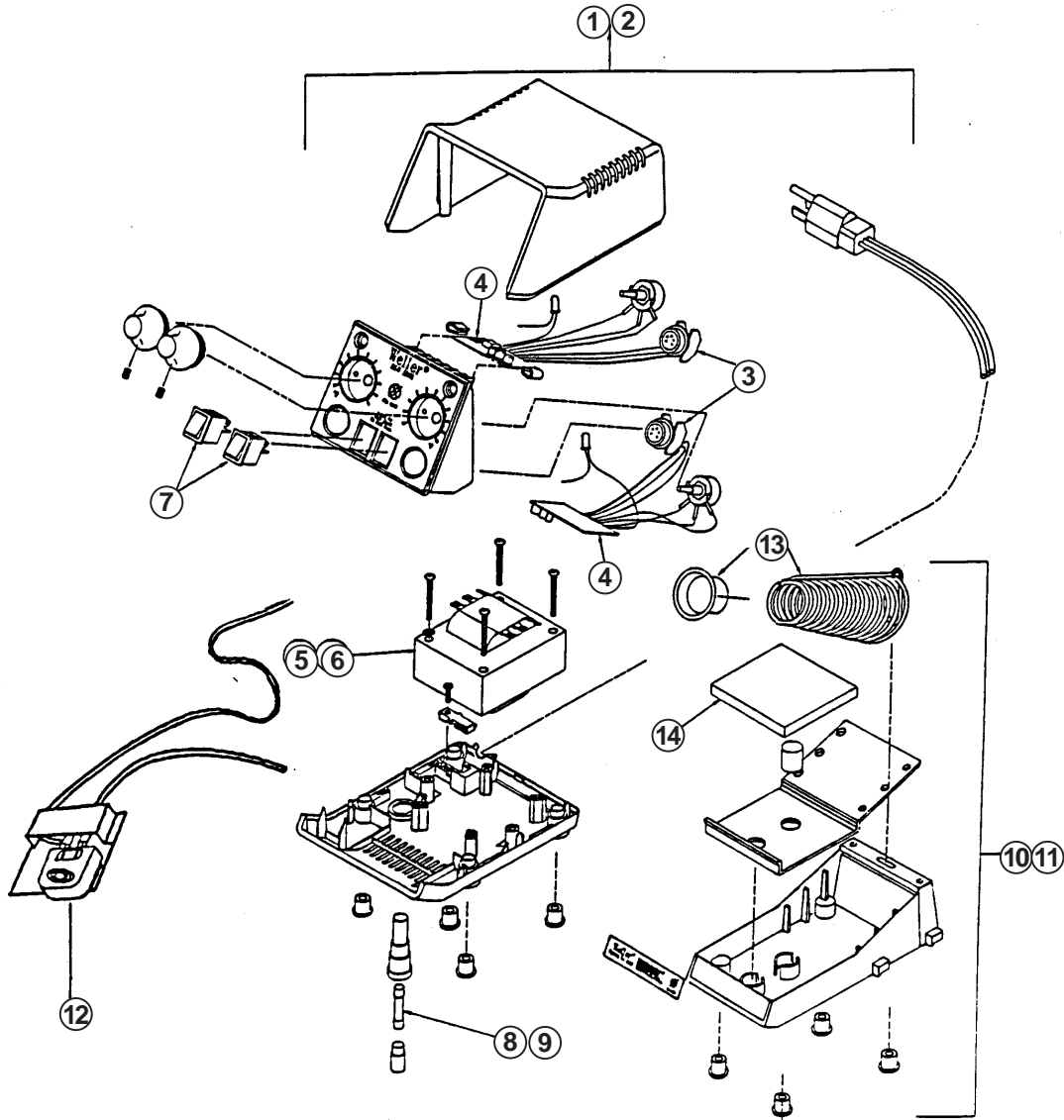
Controlled Output Soldering and Desoldering Station



ITEM NO.	PART NO.	DESCRIPTION	ITEM NO.	PART NO.	DESCRIPTION
1	EC234	Heating Element	11	N/A	Receptacle - Foot Switch (2 each)
2	SW60	Switch Assembly	12	DS203	Fuse (U.L. Listed Model Only (2 each)
3	EC232	Handle Assembly	13	N/A	Soldenoid / Transducer Assembly
4	DS103	Collector Tube W/Gaskets	14	N/A	Transformer
5	DS204	Filter for Desoldering Head	15	PH120IESD	Soldering Iron Stand (not shown)
6	DS211	Gasket Kit	16	DS201D	Desoldering Iron Stand (not shown)
7	DS217	Desoldering Head 700F Threaded (Std.)	17	DS101P	Soldering Iron W/PTA7 Tip
8	DS218	Desoldering Head 800F Threaded (Opt.)	18	DS102P	Desoldering Iron W/DS217
9	N/A	Vacuum Gauge W/Mounting Bracket			
10	N/A	Power Switch, 120 Vac			

DS200

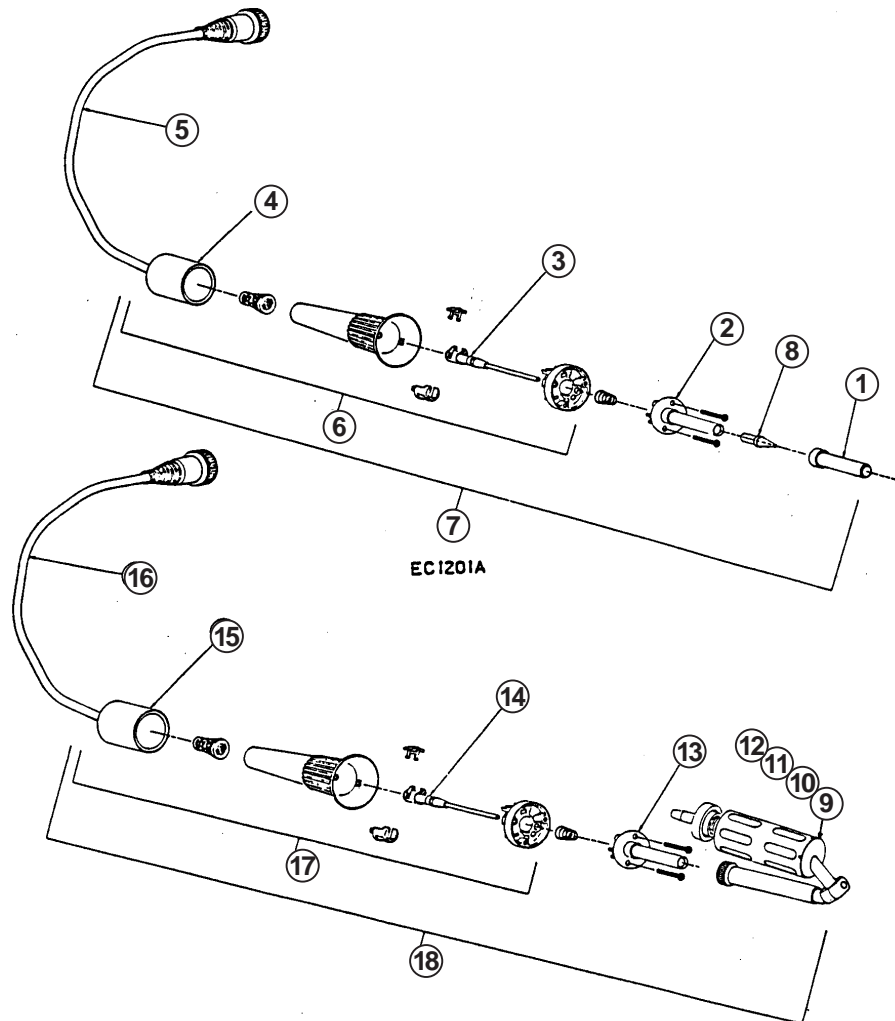
Electronically Controlled Soldering/Desoldering Station



ITEM NO.	PART NO.	DESCRIPTION	ITEM NO.	PART NO.	DESCRIPTION
1	DEC1001	Dual Power Unit •F 120 VAC W/Stand Ass'y	11	DS2010	Iron Stand Assembly (DS1204A Desoldering)
2	DEC1001D	Dual Power Untl •C 240 VAC W/Stand Ass'y	12	N/A	Footswitch/Transducer
3	EC213	Receptacle Kit	13	TC204	Spring & Funnel Assembly (EC1201A Iron)
4	EC257	Control Board	14	TC205	Sponge
5	TR232	Transformer 120 VAC			
6	TR233	Transformer 240 VAC			
7	SW110	Switch			
8	FP2	Fuse 1.0A 120 VAC 1/4"D. x 1 1/4"L.			
9	F147	Fuse 0.5A 240 VAC 5 MM DIA. x 20 MM LG.			
10	PH120IESD	Iron Stand Assembly (EC1201A Iron)			

DS200

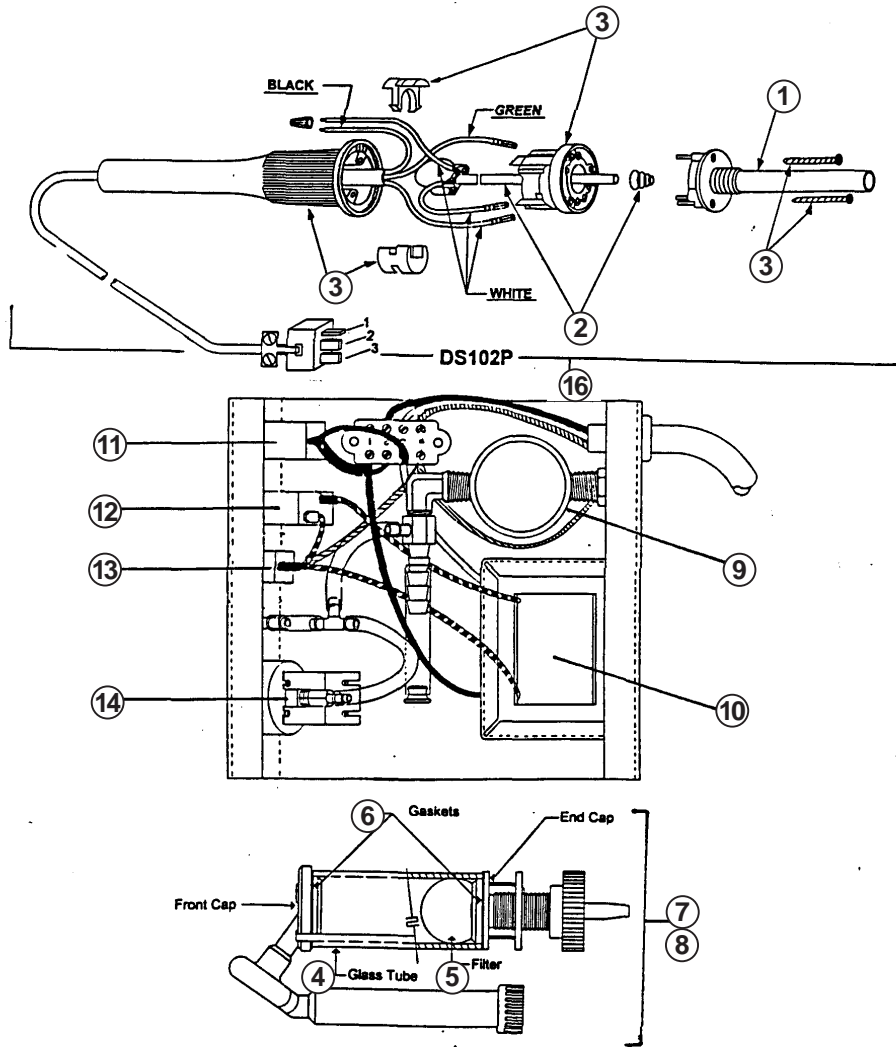
Electronically Controlled Soldering/Desoldering Station (cont.)



ITEM NO.	PART NO.	DESCRIPTION	ITEM NO.	PART NO.	DESCRIPTION
1	BA60	Barrel / Nut Assembly	11	DS204	Filter for Desoldering Head
2	EC234	Heater Assembly - 42 Watt	12	DS211	Gaskets for Desoldering Head
3	EC229A	Sensor Assembly	13	DSH54	Heater Assembly - 54 watt
4	SHA1	Cushion Grip Sleeve	14	EC229A	Sensor Assembly
5	EC233	Cord Assembly	15	SHA1	Cushion Grip Sleeve
6	EC258	Handle Assembly (W/O Sensor & Heater)	16	EC233ESD	Cord Assembly
7	EC1201A	Iron Assembly W/ ETA Tip	17	N/A	Handle Assembly (W/O Sensor & Heater)
8	ETA	1/16" ScrewdriverTip	18	DS1204A	Desoldering Iron High Mass
9	DS229	High Mass Desoldering Head (Threaded)			
10	DS103	Collector Tube W/ Gaskets			

DS500

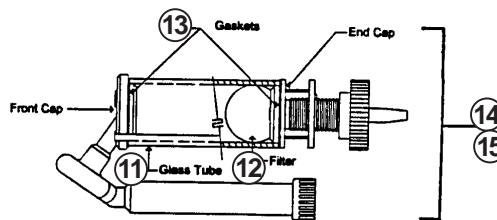
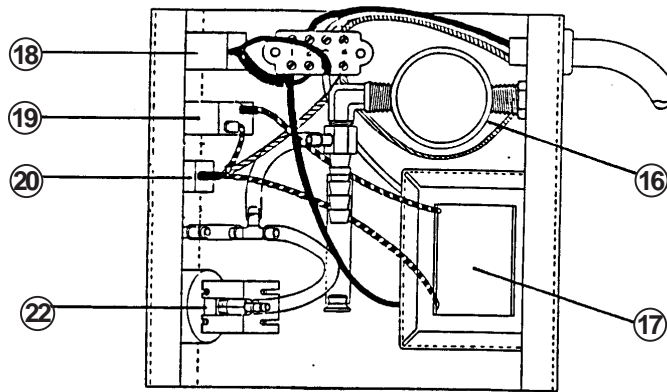
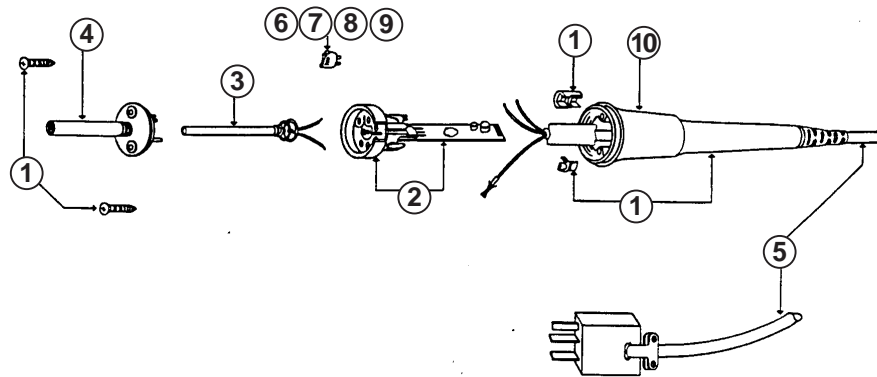
Temperature Controlled Desoldering Station



ITEM NO.	PART NO.	DESCRIPTION	ITEM NO.	PART NO.	DESCRIPTION
1	EC234	Heater Assembly	11	N/A	Power Switch, 120 Vac.
2	SW60	Switch Assembly	12	N/A	Circuit Breaker
3	EC232	Handle Assembly	13	N/A	Receptacle (iron)
4	DS103	Collector Tube W/ Gaskets	14	N/A	Vacuum Gauge W/Mounting Bracket
5	DS204	Filter, Desoldering	15	DS2010	Desoldering Tool Holder (not shown)
6	DS211	Gasket Kit	16	DS102P	Desoldering Iron W/ DS227
7	DS227	Desoldering Head 700F Threaded (Std.)			
8	DS228	Desoldering Head 800F Threaded (Opt.)			
9	N/A	Vacuum Regulator / Transducer			
10	N/A	Transformer			

DS500E

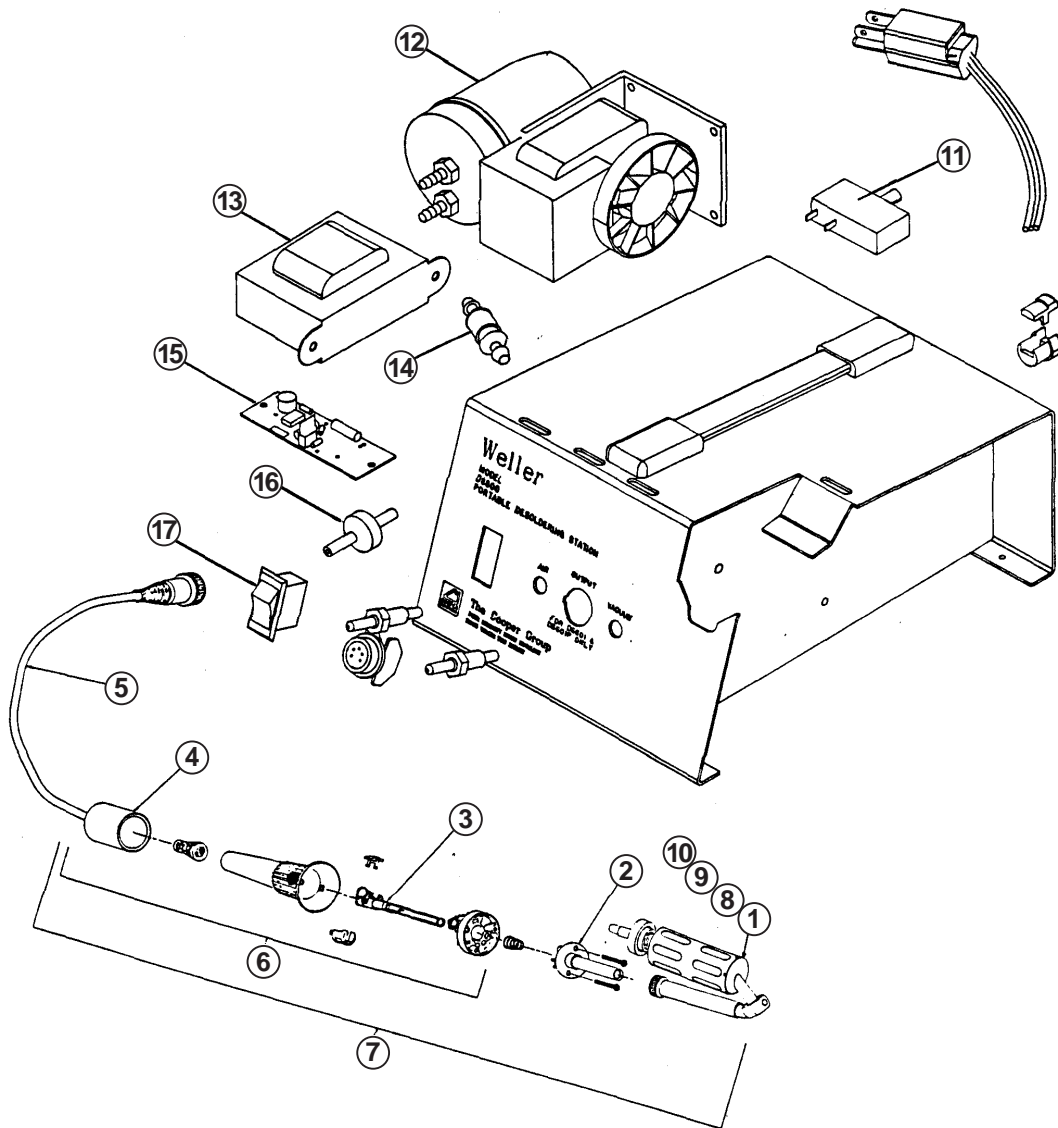
Electronically Controlled Desoldering Station



ITEM NO.	PART NO.	DESCRIPTION	ITEM NO.	PART NO.	DESCRIPTION
1	DS550	Handle Assembly	12	DS204	Filter For Desoldering Head
2	DS551	Control Board	13	DS211	Gasket Kit
3	TL102A	Sensor Assembly	14	DS229	Desoldering Head Threaded (Std.)
4	TL103	Heater Assembly	15	DS219T	Desoldering Head Tapered (Opt.)
5	DS552	Cord Assembly	16	N/A	Vacuum Regulator / Transducer
6	DS553	Temp. Key 70-0F Blue (.50" Reach Tiptet)	17	N/A	Transformer
7	DS554	Temp. Key 800F Blue (.50" Reach Tiptet)	18	N/A	Power Switch, 120 Vac
8	DS555	Temp. Key 700F Red (.75" Reach Tiptet)	19	N/A	Circuit Breaker
9	DS556	Temp. Key 800F Red (.75" Reach Tiptet)	20	N/A	Receptacle (Iron)
10	SHAI	Cushion Grip Sleeve	21	DS2010	Desoldering Tool Holder (not shown)
11	DS103	Collector Tube W/ Gaskets	22	N/A	Vacuum Gauge w/ mounting bracket

DS600

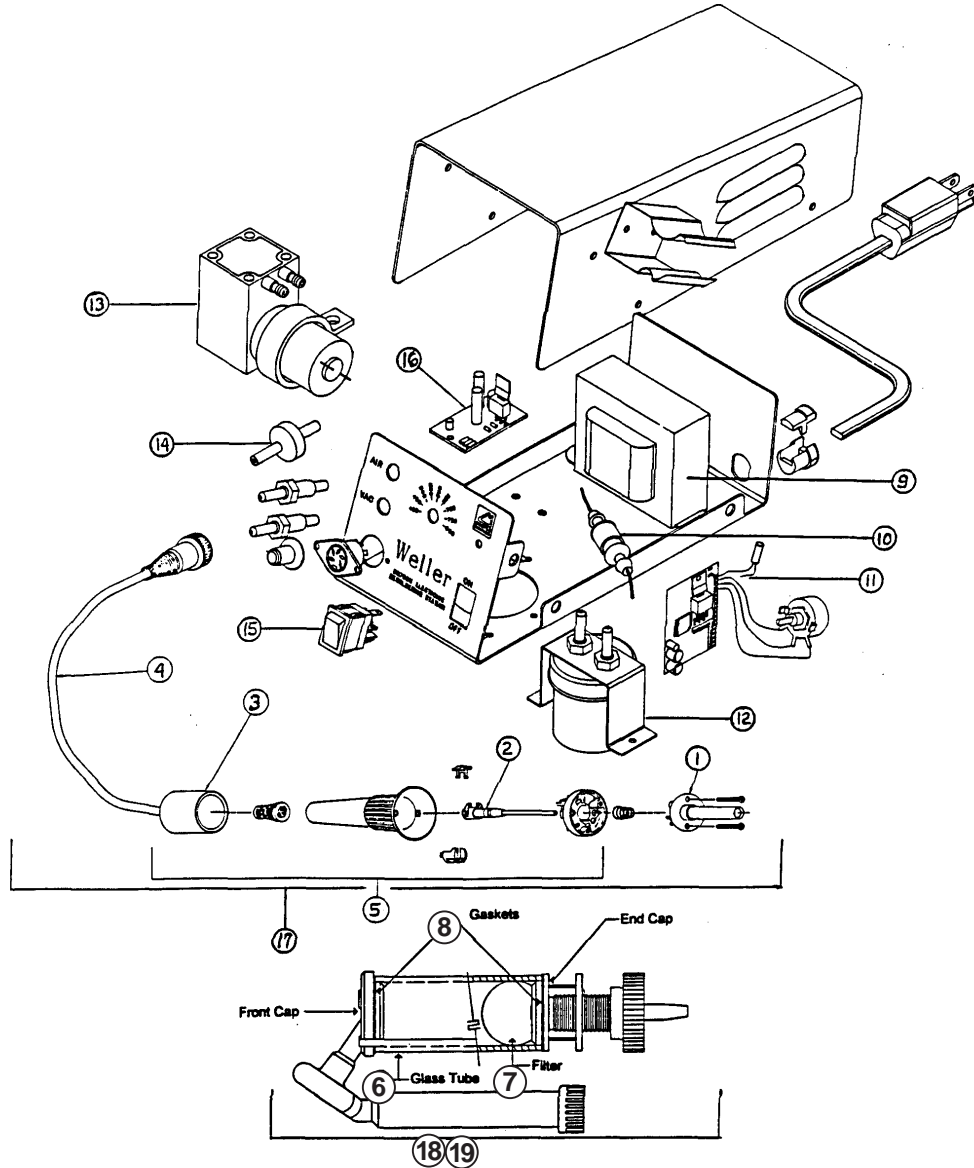
Portable Desoldering Station



ITEM NO.	PART NO.	DESCRIPTION	ITEM NO.	PART NO.	DESCRIPTION
1	DS218T	Desoldering Head - 800F Tapered	11	N/A	Circuit Breaker
2	EC234	Heater Assembly	12	DS603	Vacuum Compressor / Motor
3	SW60	Switch Assembly W/ Spring	13	DS605	Transformer
4	SHA3	Cushion Grip Sleeve	14	FPI	Fuse Assembly
5	DS611	Cord W/ Plug	15	DS606	Pump Control Board
6	DS610	Handle Assembly W/ Push-Button Switch	16	DS607	Check Valve
7	DS601P	Desoldering Iron W/ DS218T	17	N/A	Power Switch - 120 VAC
8	DS103	Collector Tube W/ Gaskets	18	DS210	Pump Repair Kit (not shown)
9	DS204	Filter For Desoldering Head			
10	DS211	Gasket Kit			

DS700M

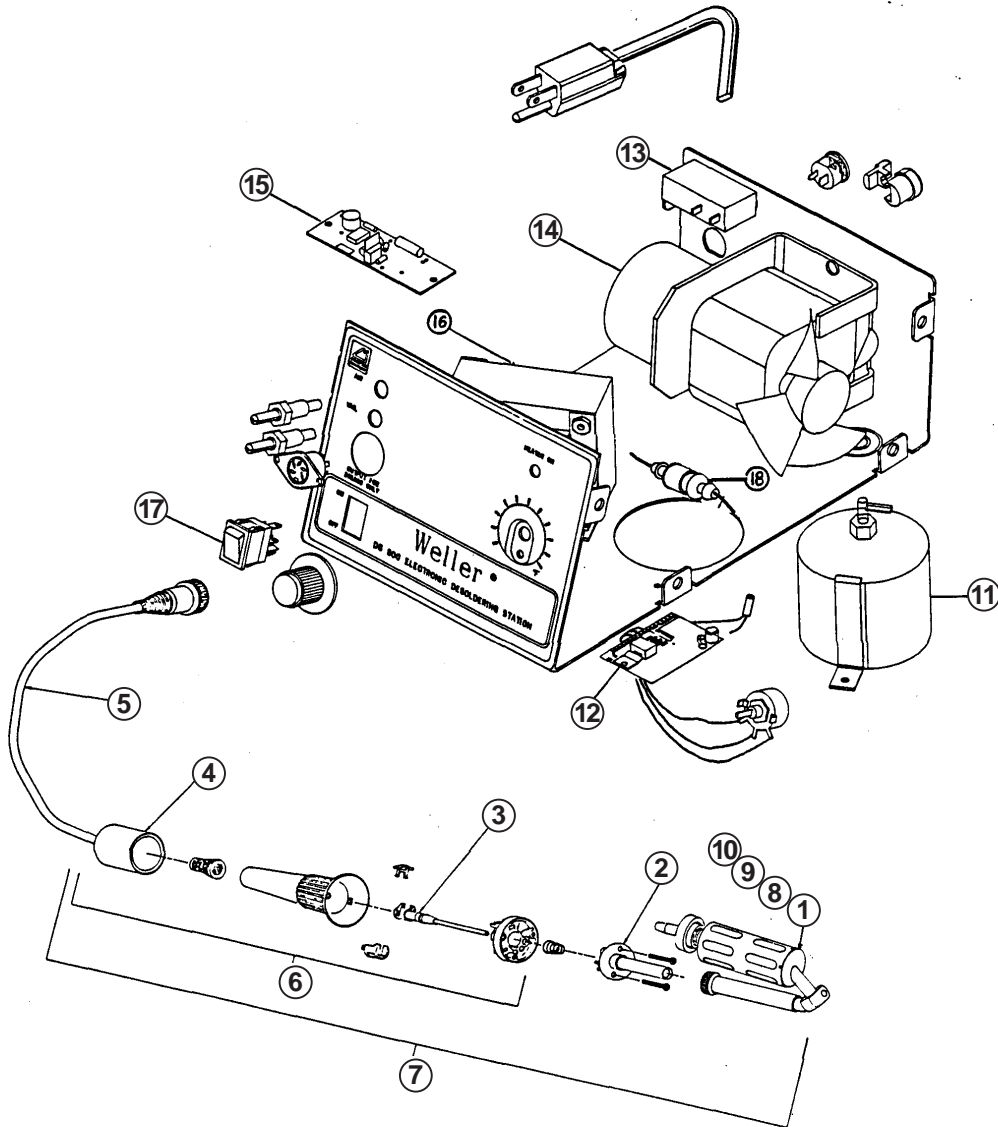
Electronically Controlled Desoldering Station



ITEM NO.	PART NO.	DESCRIPTION	ITEM NO.	PART NO.	DESCRIPTION
1	EC234	Handle Assembly	11	DS704	Control Board Assembly
2	EC229A	Sensor Assembly	12	DS703	Internal Filter
3	SHA3	Cushion Grip	13	DS706	Vacuum Pump
4	N/A	Cord Assembly	14	DS607	Check Valve
5	N/A	Handle Assembly	15	N/A	Power Switch 120 Vac
6	DS103	Collector Tube Assembly	16	DS705	Pump Switch Board
7	DS204	Filter For Desoldering Head	17	DS1201ESD	Desoldering Iron
8	DS211	Gasket Kit for Desoldering Head	18	DS219T	Desoldering Head - Tapered (Std.)
9	DS707	Power Transformer 120 Vac	19	DS229	Desoldering Head - Threaded (Opt.)
10	FPI	Fuse 3A 120 Vac			

DS800

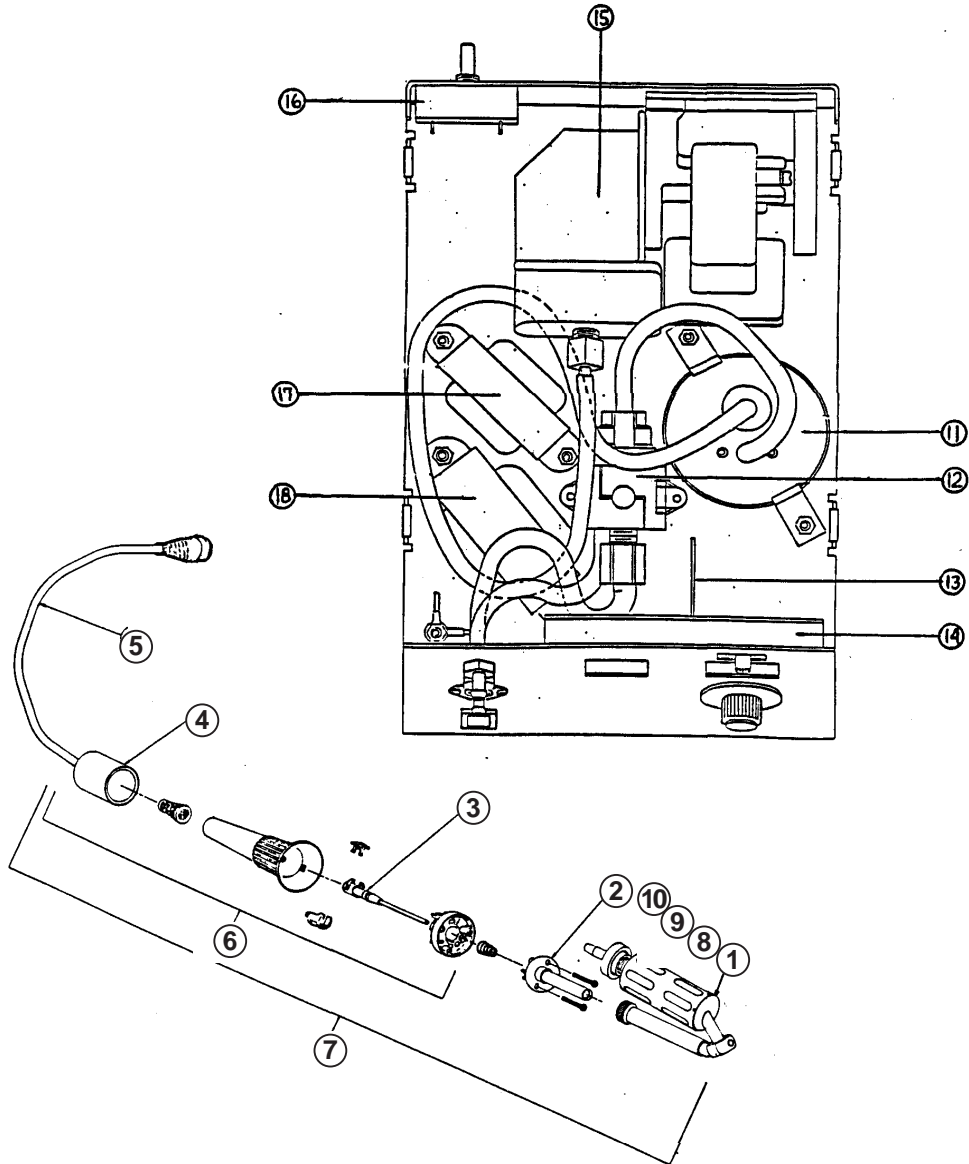
Electronically Controlled Desoldering Station



ITEM NO.	PART NO.	DESCRIPTION	ITEM NO.	PART NO.	DESCRIPTION
1	DS229	High Mass Desoldering Head	11	N/A	Vacuum Reservoir / Filter Assembly
2	DSH54	Heater Assembly - 54 Watt	12	EC239	Control Board Assembly
3	EC229A	Sensor Assembly	13	N/A	Circuit Breaker
4	SHA3	Cushion Grip Sleeve for Iron Assembly	14	N/A	Vacuum Pump - Rotary Vane
5	N/A	Iron Cord	15	N/A	Pump Control Board
6	N/A	Handle Assembly	16	N/A	Transformer
7	DS1203A	Hlgh Mass Desoldering Tool	17	N/A	Power Switch - 120 Vac
8	DS103	Collector Tube W/ Gaskets	18	FPI	Fuse 3A
9	DS204	Filter for Desoldering Head			
10	DS211	Gasket Kit for Desoldering Head			

DS1000/ESD

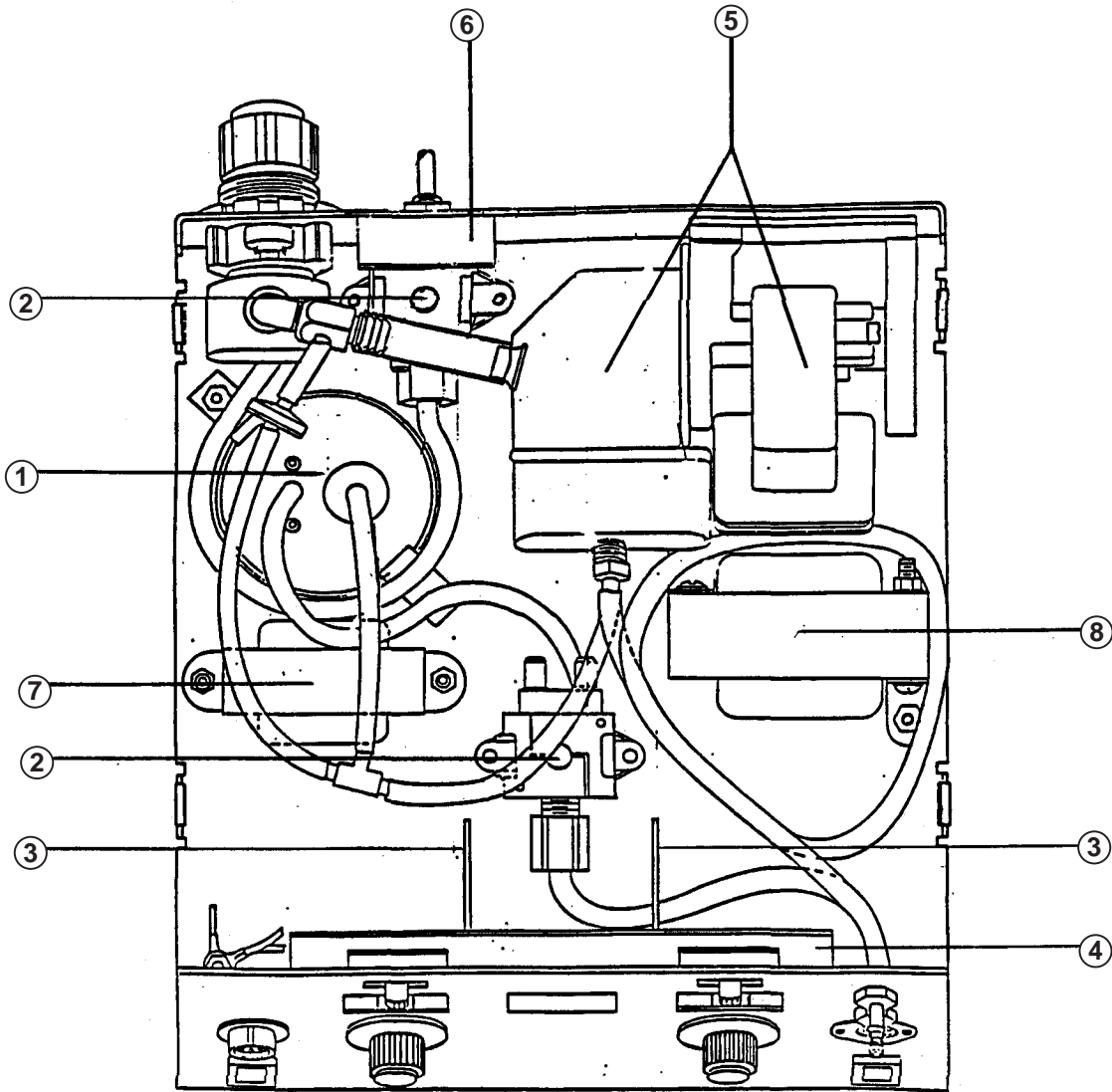
Electronically Controlled Desoldering Station



ITEM NO.	PART NO.	DESCRIPTION	ITEM NO.	PART NO.	DESCRIPTION
1	DS219T	Desoldering Head - Tapered	11	N/A	Vacuum Reservoir/ Filter Assembly
2	EC234	Heater Assembly	12	N/A	Vacuum Solenoid
3	EC229A	Sensor Assembly	13	DS1030	Control Board
4	SHA3	Cushion Grip Sleeve	14	N/A	Readout/ Pump Control Board
5	N/A	Cord Assembly	15	DS603	Vacuum Compressor/ Motor
6	N/A	Handle Assembly W/ Push-Button Switch	16	N/A	Circuit Breaker
7	DS1201ESD	Desoldering Iron W/ DS219T	17	N/A	Transformer - T2
8	DS103	Collector Tube W/ Gaskets	18	N/A	Transformer - T1
9	DS204	Filter for Desoldering Head	19	DS2010	Tool Stand - Desoldering (not shown)
10	DS211	Gasket Kit for Desoldering Head			

DS2000/ESD

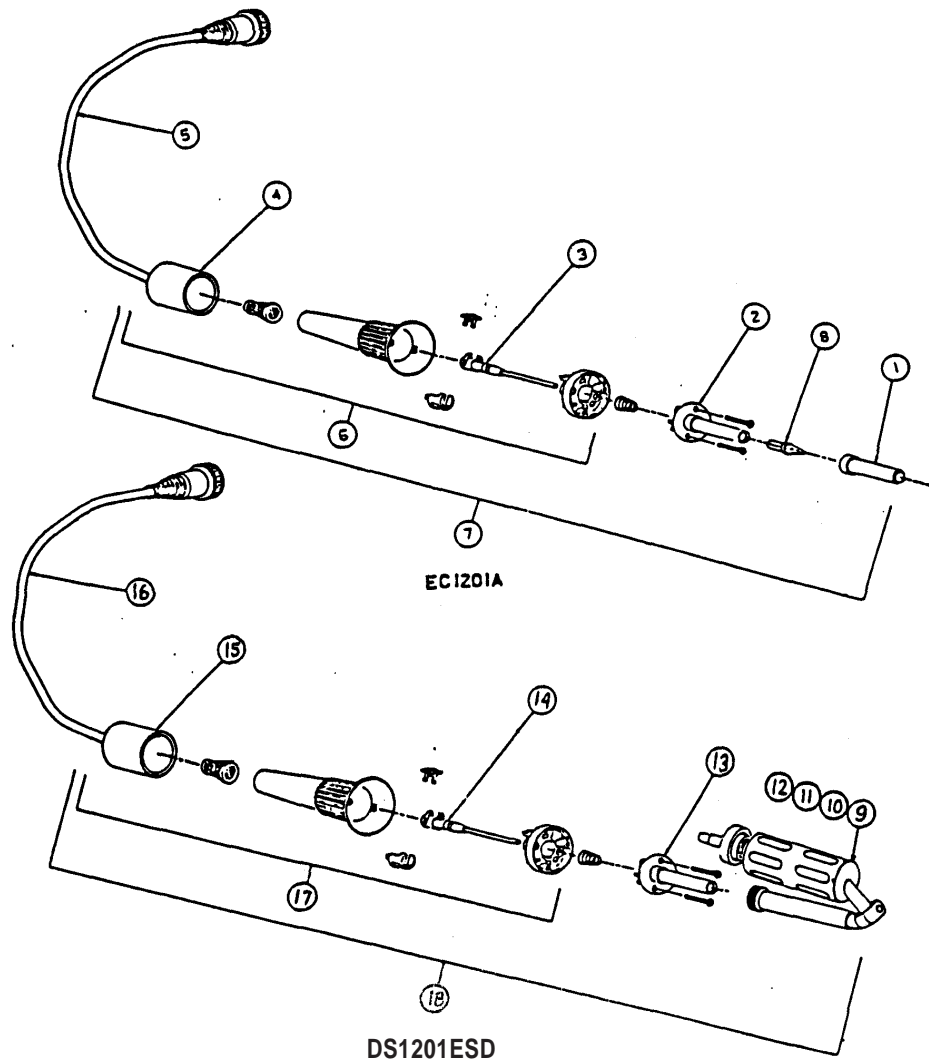
Electronically Controlled Soldering & Desoldering Station



ITEM NO.	PART NO.	DESCRIPTION	ITEM NO.	PART NO.	DESCRIPTION
1	N/A	Vacuum Reservoir/ Filter Assembly			
2	N/A	Vacuum Solenoid (2 each)			
3	DS1030	Control Board (2 each)			
4	N/A	Readout/ Pump Control Board			
5	DS603	Vacuum Compressor/ Motor			
6	N/A	Circuit Breaker			
7	N/A	Transformer - T2			
8	N/A	Transformer - T1			
9	DS2010	Tool Stand - Desoldering (not shown)			

DS2000/ESD

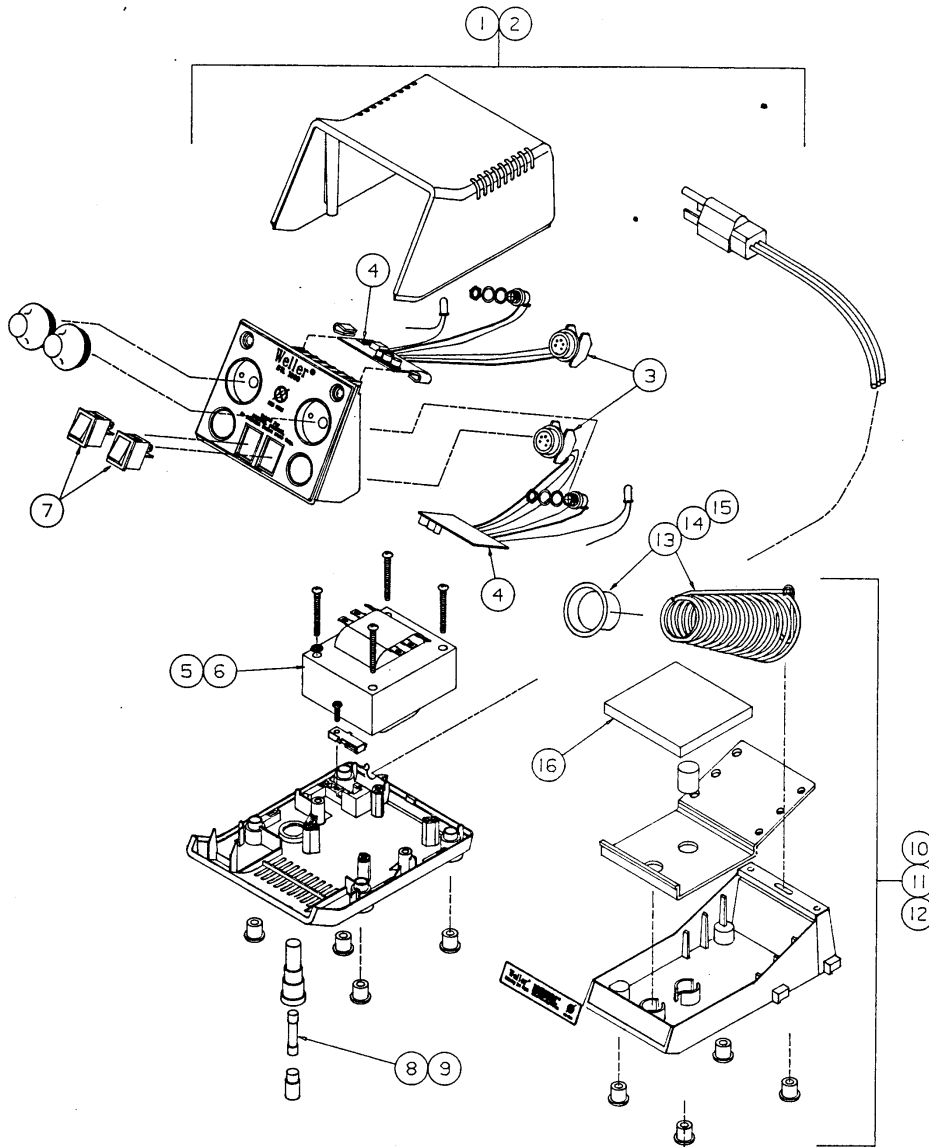
Electronically Controlled Soldering & Desoldering Station (cont.)



ITEM NO.	PART NO.	DESCRIPTION	ITEM NO.	PART NO.	DESCRIPTION
1	BA60	Barrel Nut Assembly	11	DS204	Filter for Desoldering Head
2	EC234	Heater Assembly - 42 watt	12	DS211	Gaskets for Desoldering Head
3	EC229A	Sensor Assembly	13	EC234	Heater Assembly - 54 watt
4	SHA2	Cushion Grip Sleeve	14	EC229A	Sensor Assembly
5	EC233	Cord Assembly	15	SHA3	Cushion Grip Sleeve
6	EC258	Handle Assembly (w/o Sensor & Heater)	16	EC233	Cord Assembly
7	EC1201A	Iron Assembly w/ ETA Tip	17	N/A	Handle Assembly (w/o Sensor & Heater)
8	ETA	1/16" Screwdriver Tip	18	DS1201ESD	Desoldering Iron High Mass
9	DS229	High Mass Desoldering Head (Threaded)			
10	DS103	Tube w/ Gaskets			

DTL1000

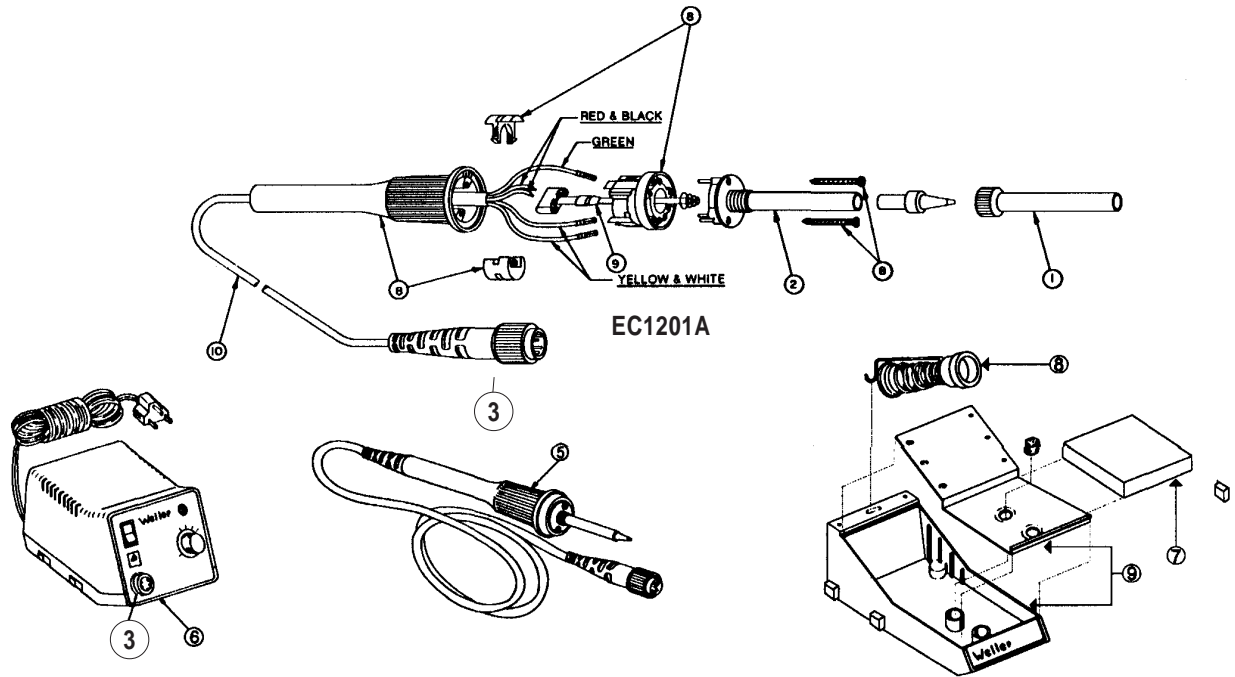
Dual Thermolock Electronically Controlled Soldering Station



ITEM NO.	PART NO.	DESCRIPTION	ITEM NO.	PART NO.	DESCRIPTION
1	DTL 1000	Dual Power Unit F 120 VAC W/ Stand Ass'y	11	PH1301ESD	Iron Stand Assembly (EC1302A Iron)
2	DTL 1000D	Dual Power Unit C 240 W/Stand Ass'y	12	PH1503	Iron Stand Assembly (EC1503A Iron)
3	EC213	Receptacle Kit (2 each)	13	TC204	Spring & Funnel Assembly (EC1201A Iron)
4	TR126	Control Board (2 each)	14	IHF225EC	Spring & Funnel Assembly (EC1302A Iron)
5	TR232	Transformer 120 Vac	15	EC254	Spring & Funnel Ass'y (EC1503A Iron)
6	TR233	Transformer 240 Vac	16	TC205	Sponge
7	SW110	Switch (1 each)			
8	FP2	Fuse 1.0A 120 Vac 1/4" D. x 1/4" L.			
9	N/A	Fuse 0.5A 240 Vac 5 mm Dia. x 20 mm Lg.			
10	PH1201ESD	Iron Stand Assembly (EC1201A Iron)			

EC1001/EC2001 EC1001D/ EC2001D

Electronic Soldering Stations

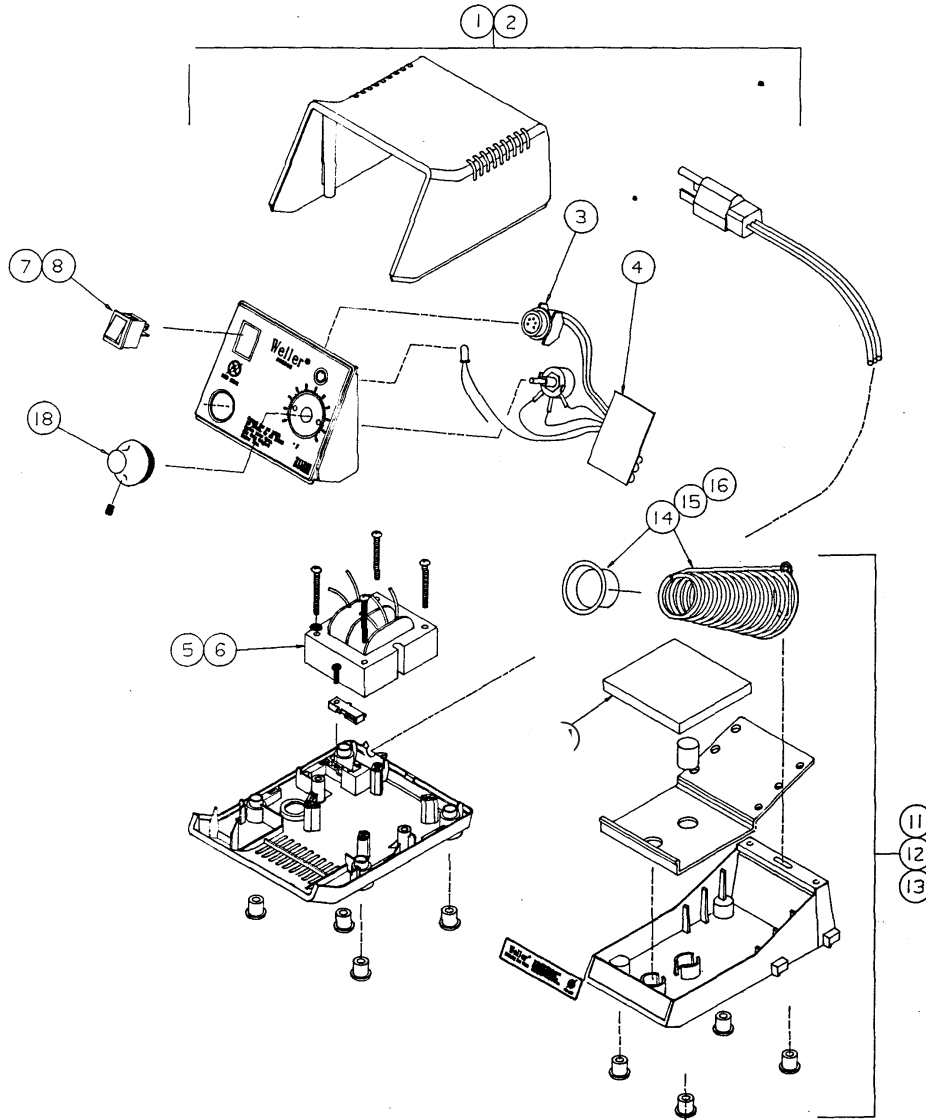


ITEM NO.	PART NO.	DESCRIPTION	ITEM NO.	PART NO.	DESCRIPTION
1	BA60	Barrel Nut Assembly	11	EC229	Sensor Assembly Sensor Assembly W/ Spring
2	EC234	Heater Assembly	12	EC239	Control Board Complete (EC1002/D)
3	EC213	Plug, Receptacle Kit	13	EC240	Control Board Complete (EC2002C/D)
4	EC232	Handle Assembly	14	EC236	Display Board - Calibrated F (EC2002C)
5	EC1201A	Soldering Tool W/ ETA Tip	15	EC238	Display Board - Calibrated C (EC2002CD)
6	EC2002C	Power Unit Only, 120V F	16	TR215	Power Transformer 120V
6a	EC2002CD	Power Unit Only, 240V C	17	N/A	Power Transformer 240V
6b	EC1002C	Power Unit Only, 120V F	18	SW120	Power Switch 120V
6c	EC1002CD	Power Unit Only, 240V C	19	N/A	Power Switch 240V
7	TC205	Sponge	*	WC1000	Calibration Reference Unit
8	TC204	Iron Holder W/ Funnel	*	FP1	Fuse Assembly
9	PH1201ESD	Iron Stand W/ Tool Holder	*	SHA1	Cushion Grip Sleeve for Iron Handle
10	EC233	Cord Assembly	*	WPB1	Polishing Bar for Tips

* not shown (When ordering parts for ESD units, add suffix ESD to Part No.)

EC1002-0

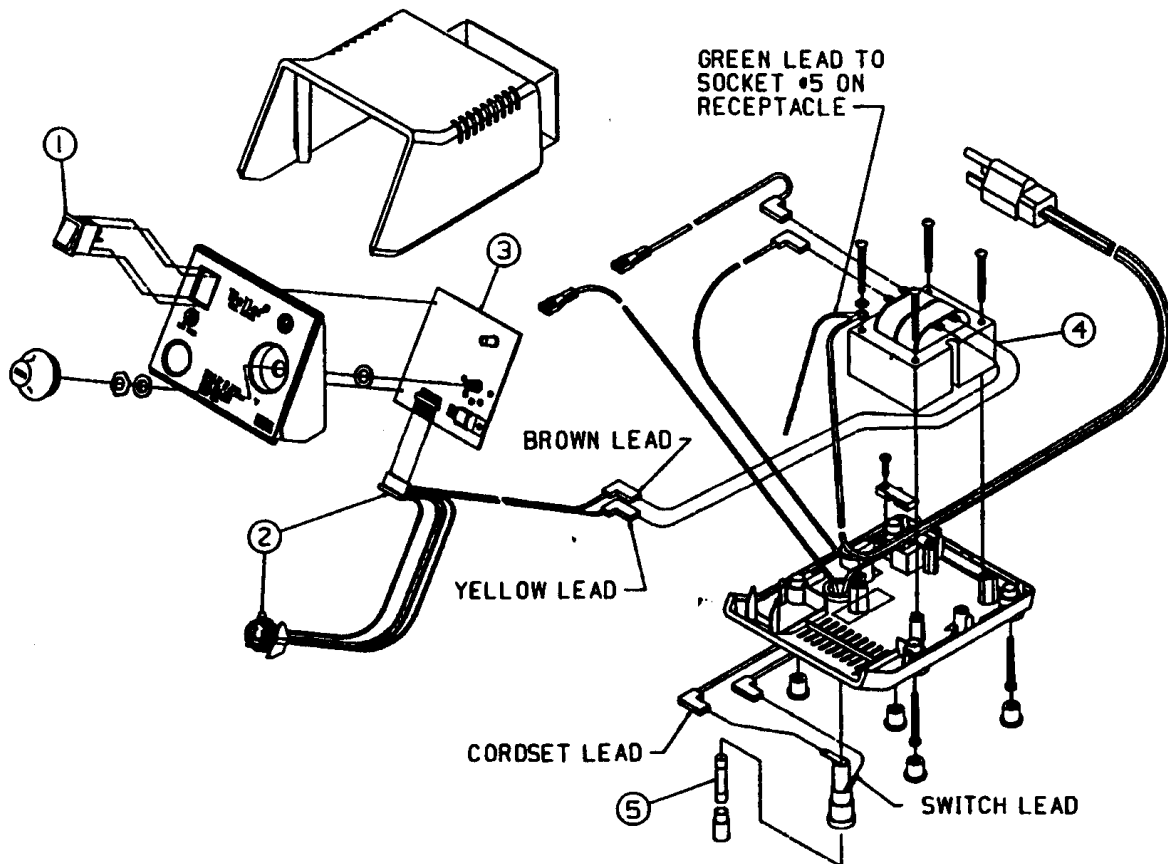
Electronically Controlled Soldering Station



ITEM NO.	PART NO.	DESCRIPTION	ITEM NO.	PART NO.	DESCRIPTION
1	EC1002-0	Power Unit F 120 Vac W/O Iron & Stand	11	PH1201ESD	Iron Stand Assembly (EC1201A Iron)
2	EC1002-OD	Power Unit C 240 Vac W/O Iron & Stand	12	PH1301ESD	Iron Stand Assembly (EC1302A Iron)
3	EC213	Receptacle Kit	13	PH1503	Iron Stand Assembly (EC1503A Iron)
4	EC239	Control Board	14	TC204	Spring & Funnel Assembly (EC1201A Iron)
5	TR215	Transformer 120 Vac	15	IHF225EC	Spring & Funnel Assembly (EC1302A Iron)
6	TR216	Transformer 240 Vac	16	EC254	Spring & Funnel Assembly (EC1503A Iron)
7	SW130	Switch 120 Vac	17	TC205	Sponge
8	SW230	Switch 240 Vac	18	EC266	Knob Replacement (Calibration)
9	FP3	Fuse 0.6A 120 Vac 1/4" D. x 1/4" L.			
10	N/A	Fuse 0.315A 240 Vac 5mm Dia. x 20 mm Lg.			

EC1002S-0

Electronically Controlled Soldering Station

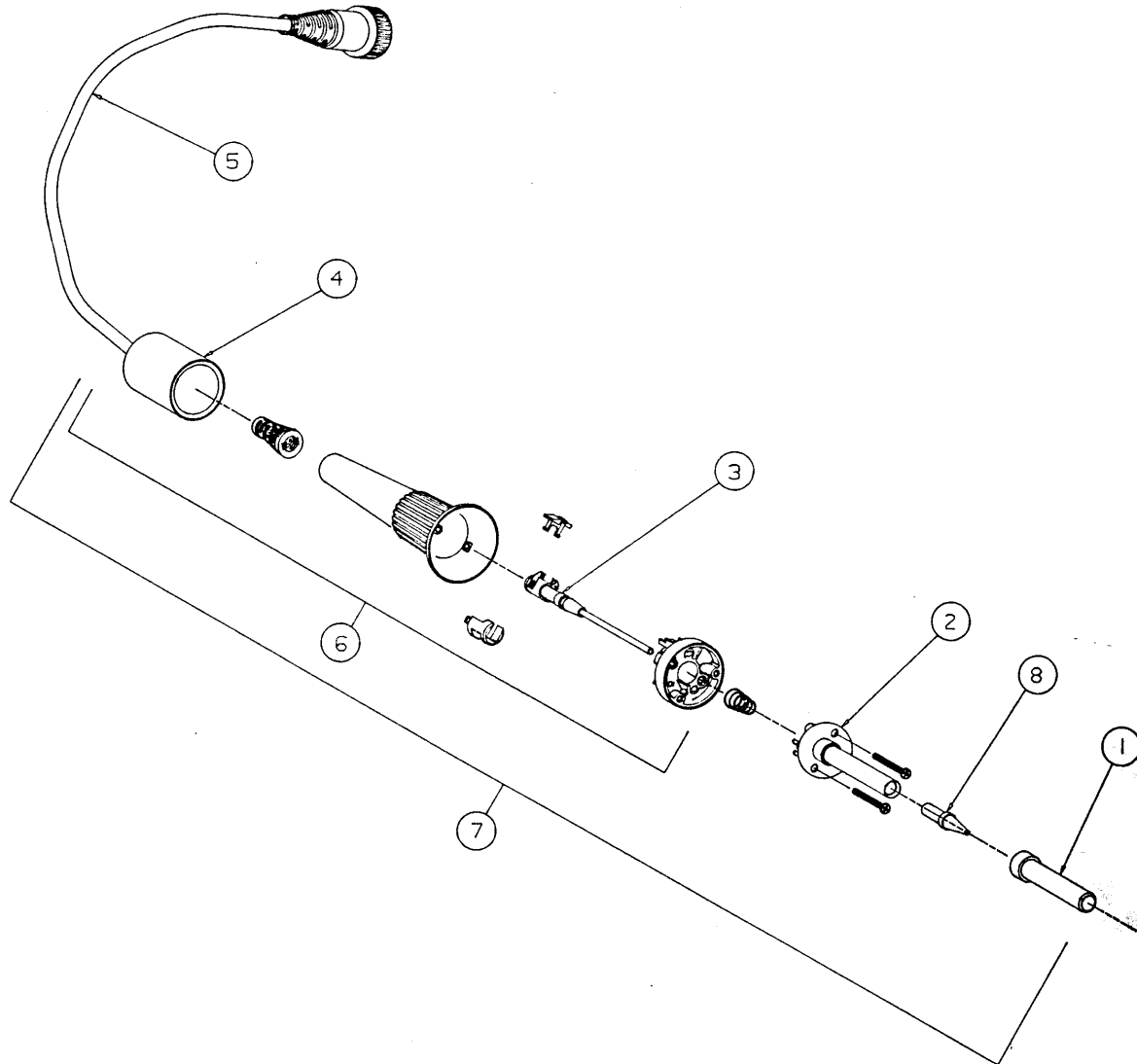


ITEM NO.	PART NO.	DESCRIPTION	ITEM NO.	PART NO.	DESCRIPTION
1	SW110	Power Switch	*	EC1201AP	EC1201A Tool with Stand
2	EC270	Receptacle and Wire Harness	*	EC1302AP	EC1302A Tool with Stand
3	EC271	Circuit Board Assembly	*	EC1503AP	EC1503A Tool with Stand
4	TR234	Power Transformer, 120Vac, EC1002S-0			
*	TR235	Power Transformer, 230Vac, EC1002S-OD			
5	FP3	Fuse, .6 AMP Slo Blo			
*	TC205	Sponge			
*	TC204	Spring and Funnel for EC1201A Tool			
*	IHF225EC	Spring and Funnel for EC1302A Tool			
*	EC254	Spring and Funnel for EC1503A Tool			

* not shown

EC1201A/P/PESD

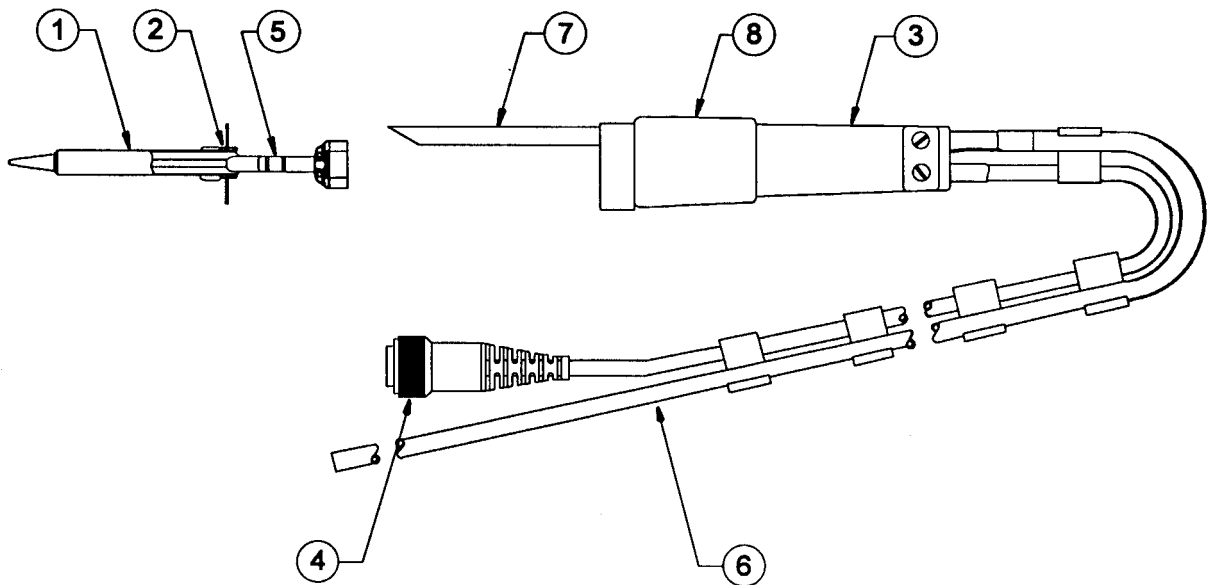
40 Watt Soldering Tool



ITEM NO.	PART NO.	DESCRIPTION	ITEM NO.	PART NO.	DESCRIPTION
1	BA60	Barrel/ Nut Assembly			
2	EC234	Heater Assembly			
3	EC229A	Sensor Assembly W/ Spring			
4	SHA1	Cushion Grip Sleeve			
5	EC233	Cord Assembly			
6	EC258	Handle Assembly (W/O Sensor & Heater)			
7	EC1201A	Iron Assembly W/ ETA Tip			
8	ETA	1/16" Screwdriver Tip			

EC1201AFE

40 Watt Fume Extraction Soldering Tool

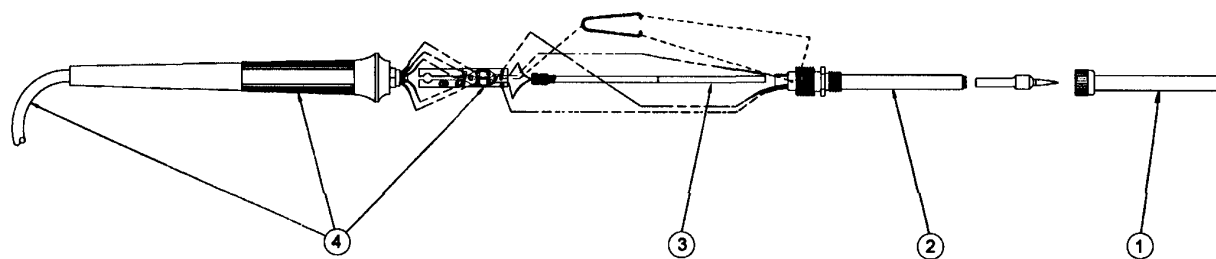


ITEM NO.	PART NO.	DESCRIPTION	ITEM NO.	PART NO.	DESCRIPTION
1	BA60	Barrel Nut Assembly			
2	EC234-FE	Heater Assembly			
3	HEC-FE	Handle Assembly with Smoke Tube			
4	7-3652	Cord Assembly for EC1201AFE			
5	EC268	Sensor Assembly with Spring			
6	WF1026	ESD Plastic Tubing			
7	T419	Smoke Tube			
8	SHA1	Cushion Grip Sleeve			
*	WC3640	Tube Brush			

* not shown

EC1301/ESD

20 Watt Soldering Tool

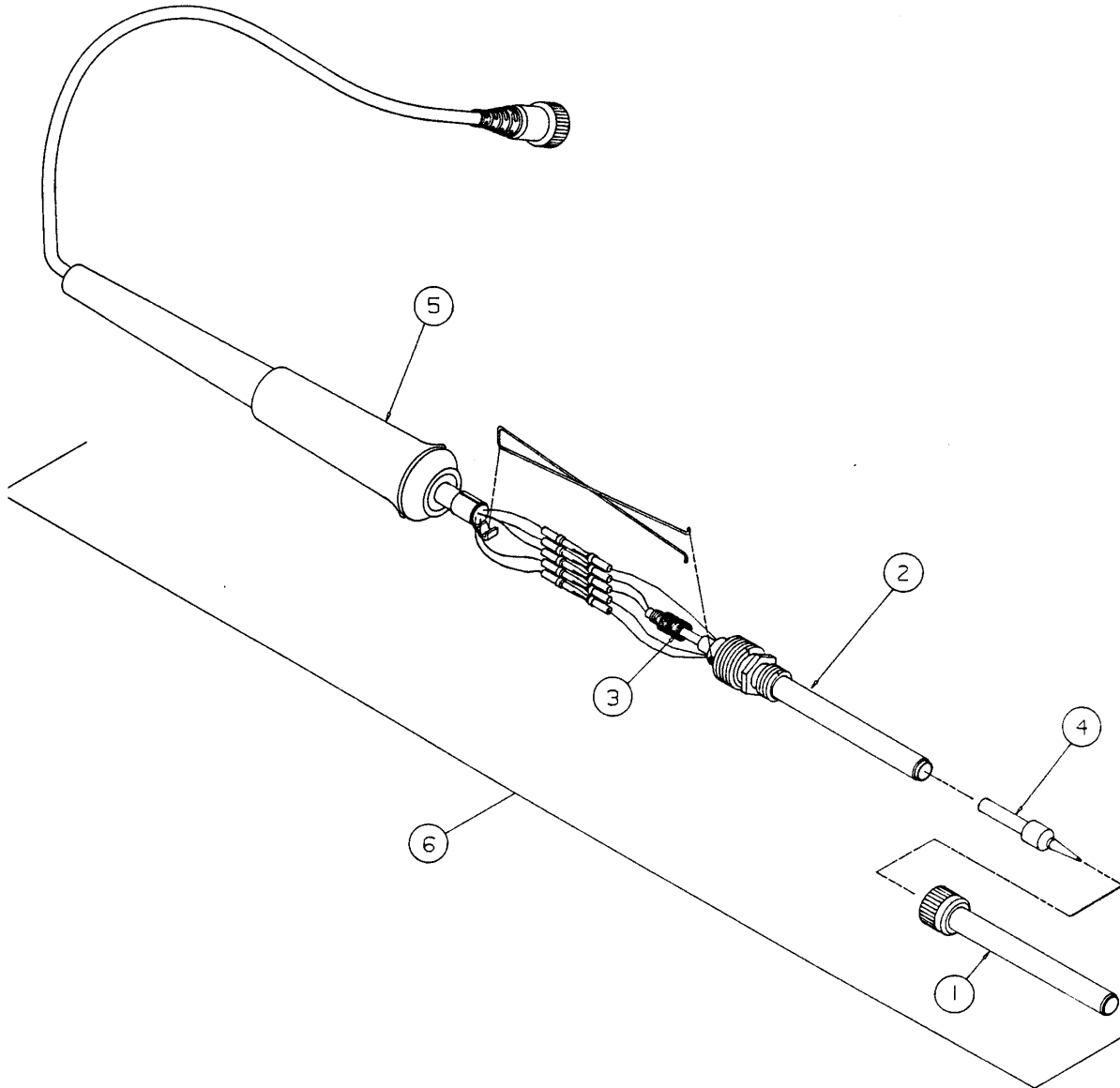


ITEM NO.	PART NO.	DESCRIPTION	ITEM NO.	PART NO.	DESCRIPTION
1	EC231	Barrel Nut Assembly			
2	EC221	Heater Assembly			
3	EC222A	Sensor Assembly			
4	EC256	Handle, Cord, Terminal Board Assembly			
*	TC205	Sponge			
*	IHF225EC	Spring and Funnel			
*	PH1301ESD	Tool Stand			

* not shown

EC1301R

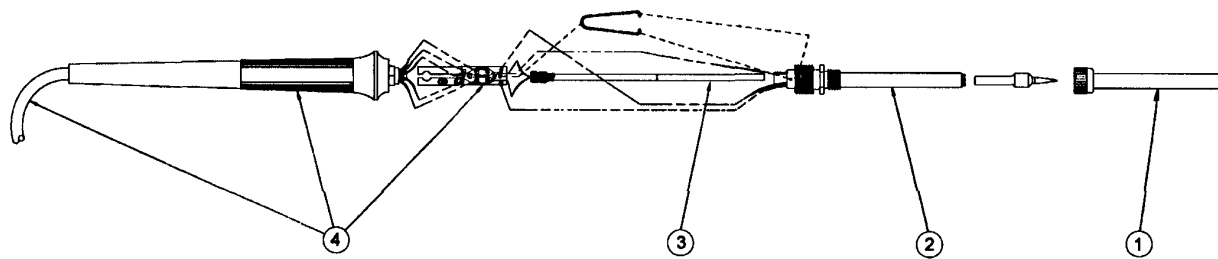
20 Watt Soldering Tool



ITEM NO.	PART NO.	DESCRIPTION	ITEM NO.	PART NO.	DESCRIPTION
1	EC231	Barrel/ Nut Assembly			
2	EC259	Heater Assembly			
3	EC260	Sensor Assembly W/ Spring			
4	EPH101	1/64" Micropoint Tip			
5	EC261	Cord/ Handle Assembly			
6	EC1301R	Iron Assembly W/ EPH101 Tip			

EC1302

20 Watt Soldering Tool

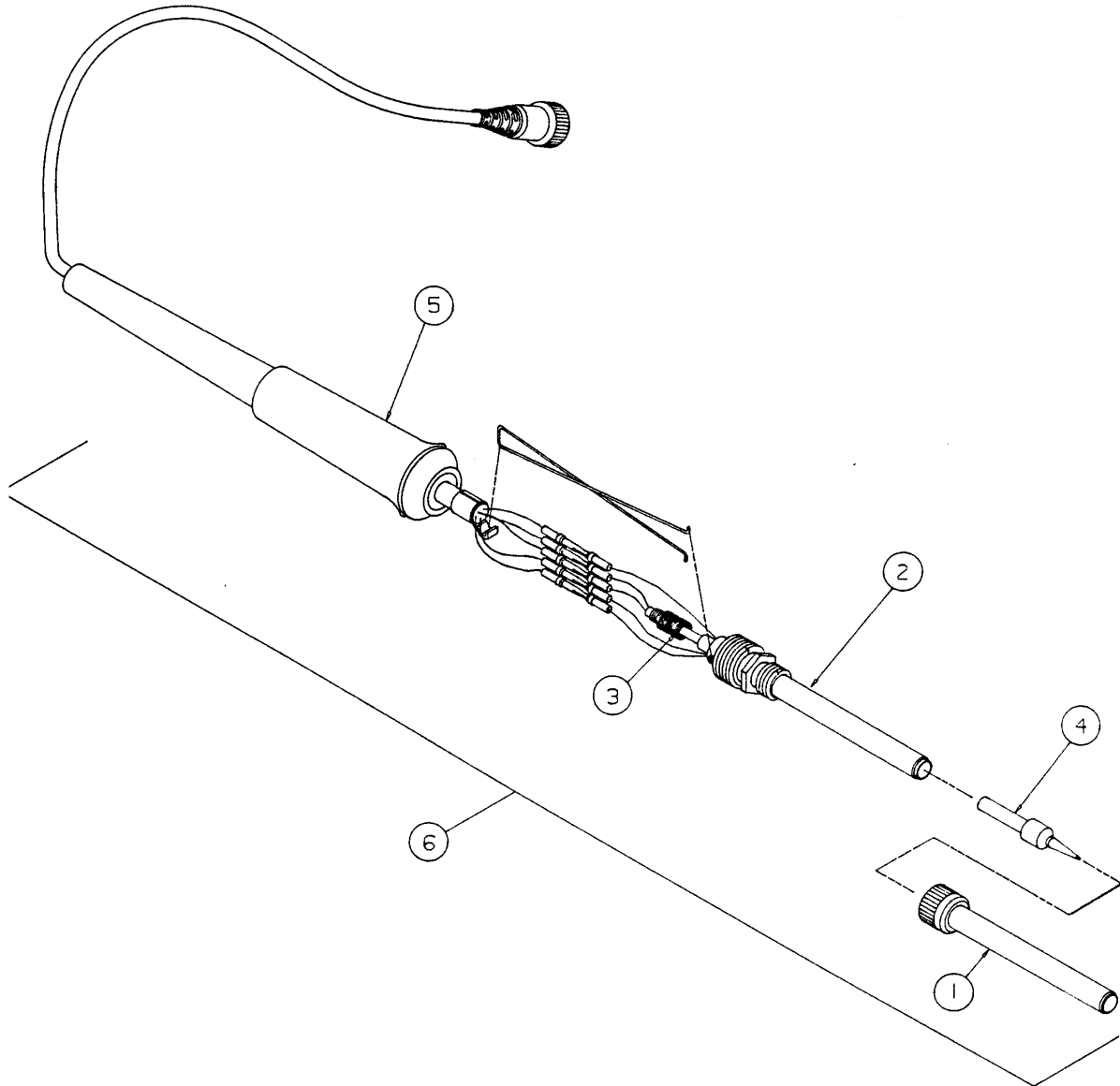


ITEM NO.	PART NO.	DESCRIPTION	ITEM NO.	PART NO.	DESCRIPTION
1	EC231	Barrel Nut Assembly			
2	EC221	Heater Assembly			
3	EC222A	Sensor Assembly			
4	EC256	Handle, Cord, Terminal Board Assembly			
*	TC205	Sponge			
*	IHF225EC	Spring and Funnel			
*	PH1301ESD	Tool Stand			

* not shown

EC1302A

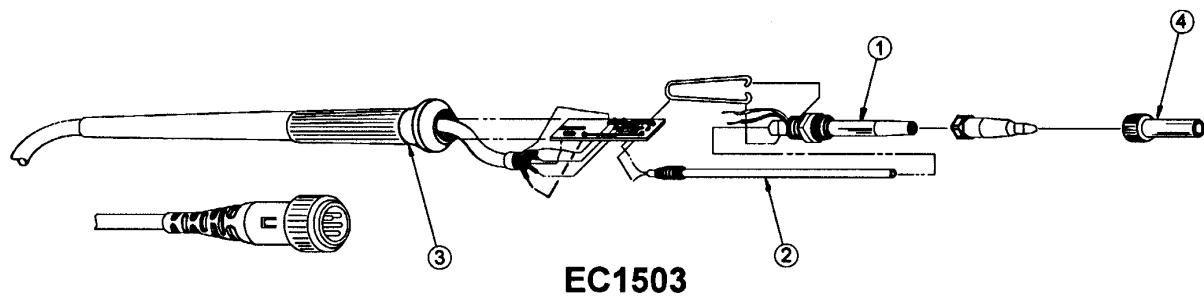
20 Watt Soldering Tool



ITEM NO.	PART NO.	DESCRIPTION	ITEM NO.	PART NO.	DESCRIPTION
1	EC231	Barrel/ Nut Assembly			
2	EC259	Heater Assembly			
3	EC260	Sensor Assembly W/ Spring			
4	EPH101	1/64" Micropoint Tip			
5	EC265	Cord/ Handle Assembly			
6	EC1302A	Iron Assembly W/ EPH101 Tip			

EC1503

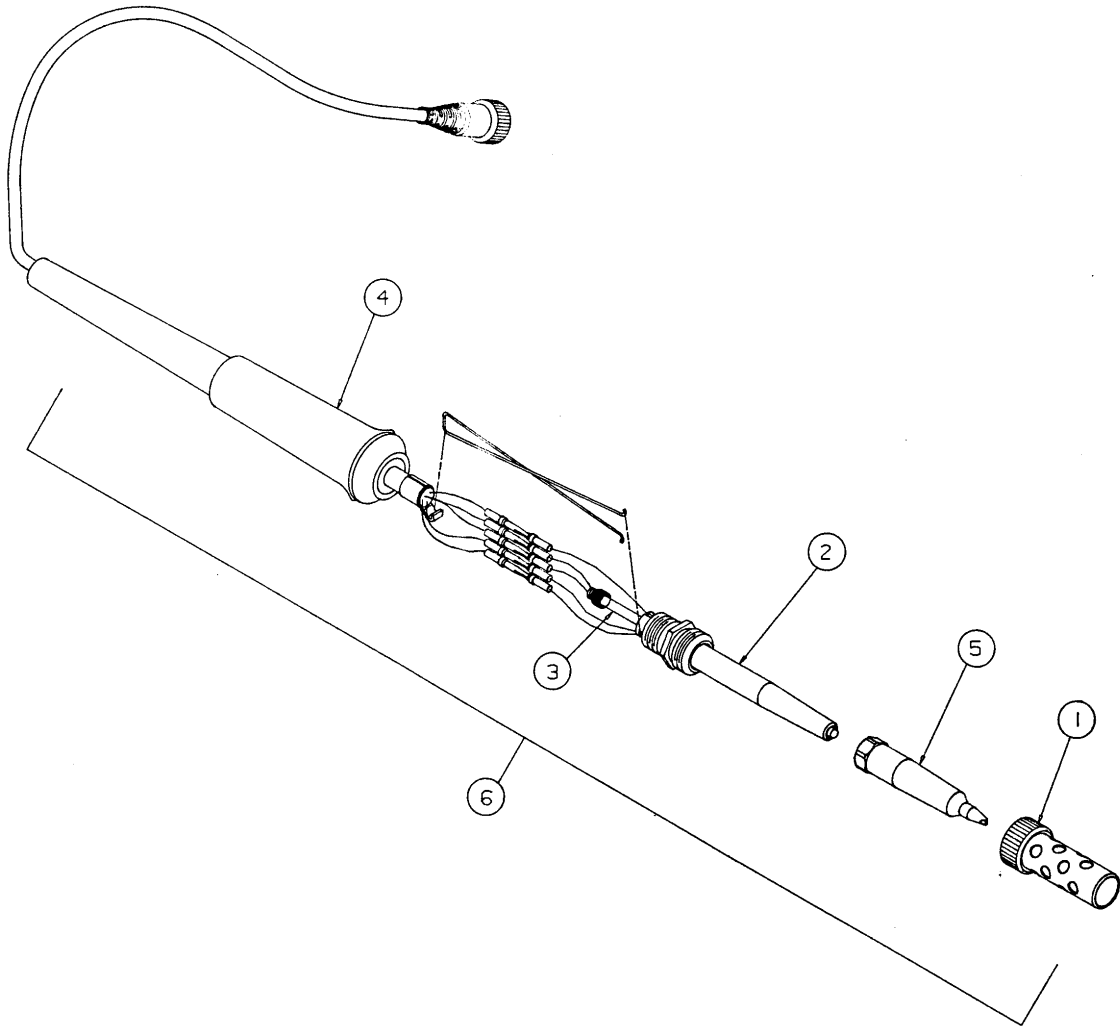
42 Watt Soldering Tool



ITEM NO.	PART NO.	DESCRIPTION	ITEM NO.	PART NO.	DESCRIPTION
1	EC250	Heater Assembly			
2	EC251	Sensor Assembly			
3	EC255	Handle, Cord, Terminal Board Assembly			
4	EC253	Barrel Nut Assembly			
5	TC205	Sponge			
6	EC254	Spring and Funnel			
7	PH1503	Tool Stand			

EC1503A/R

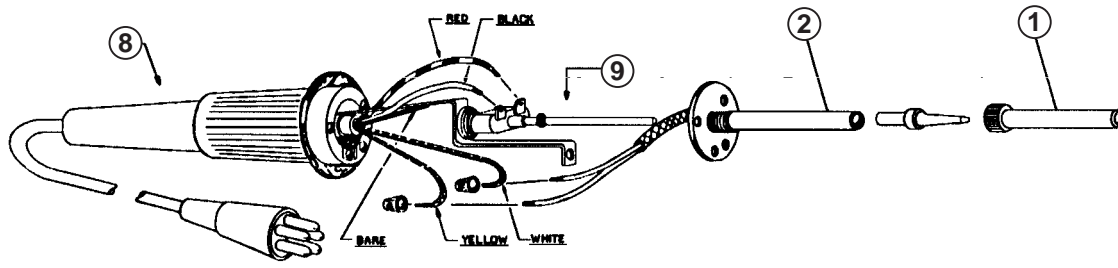
42 Watt Soldering Tool



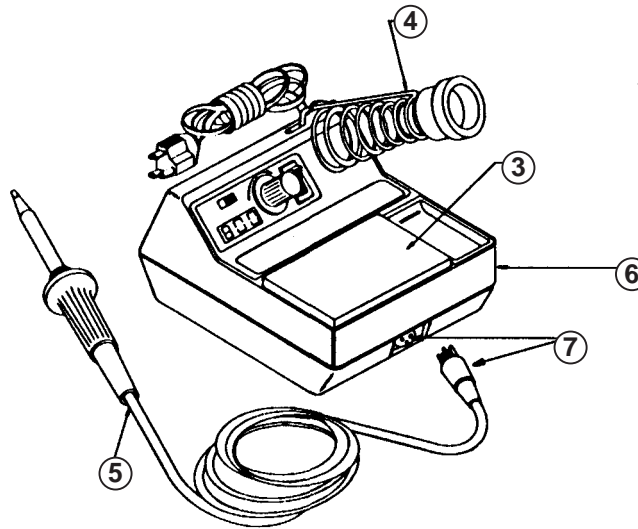
ITEM NO.	PART NO.	DESCRIPTION	ITEM NO.	PART NO.	DESCRIPTION
1	EC253	Barrel/ Nut Assembly			
2	EC262	Heater Assembly			
3	EC263	Sensor Assembly W/ Spring			
4	EC264	Cord/ Handle Assembly			
5	EMA	1/16" Screwdriver Tip			
6	EC1503A/R	Iron Assembly W/ EMA Tip			

EC2000 (EC2002A)

Electronic Soldering Station



EC1201A

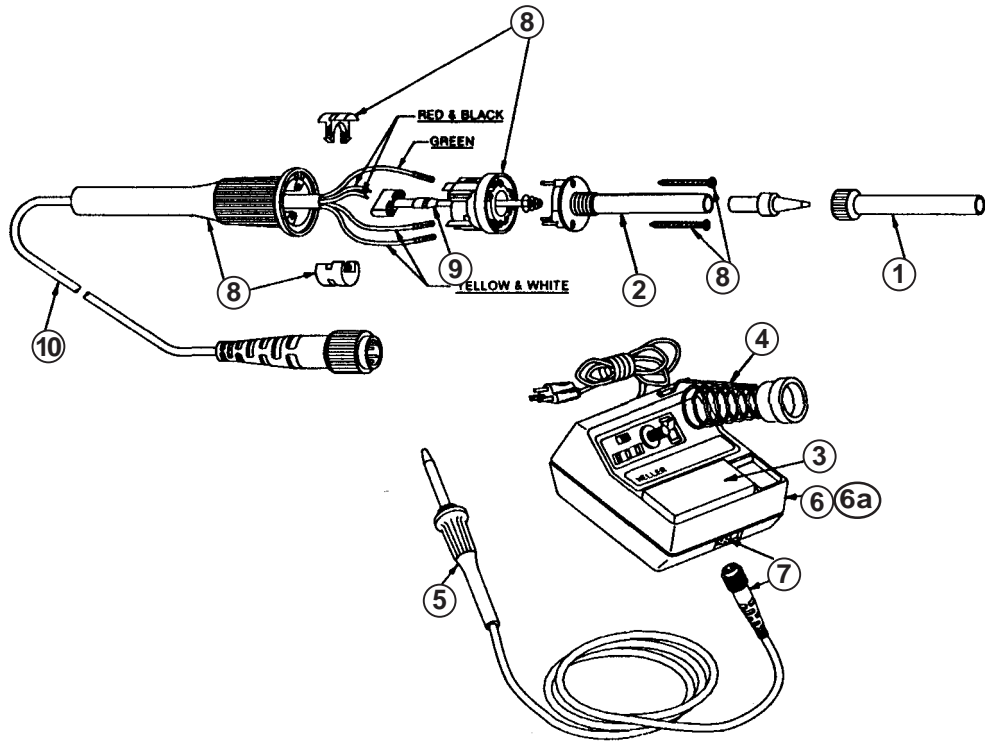


ITEM NO.	PART NO.	DESCRIPTION	ITEM NO.	PART NO.	DESCRIPTION
1	BA60	Barrel Nut Assembly	*	EC236	Display Board, Calibrated
2	TC208	Heater Assembly	*	TR215	Power Transformer
3	EC205	Sponge	*	EC212	Circuit Breaker
4	TC204	Iron Holder w/Funnel	*	EC219	Power Switch 120V
5	EC1201A	40 Watt Soldering Tool			
6	EC2002A	Power Unit Only, 120V F			
7	EC213	Plug, Receptacle Kit			
8	N/A	Handle, Cord, Ground Strap Assembly			
9	EC229A	Sensor Assembly W/ Spring			
*	EC240	Control Board W/ Control Potentiometer			

* not shown

EC2000 (EC2002B)

Electronic Soldering Station

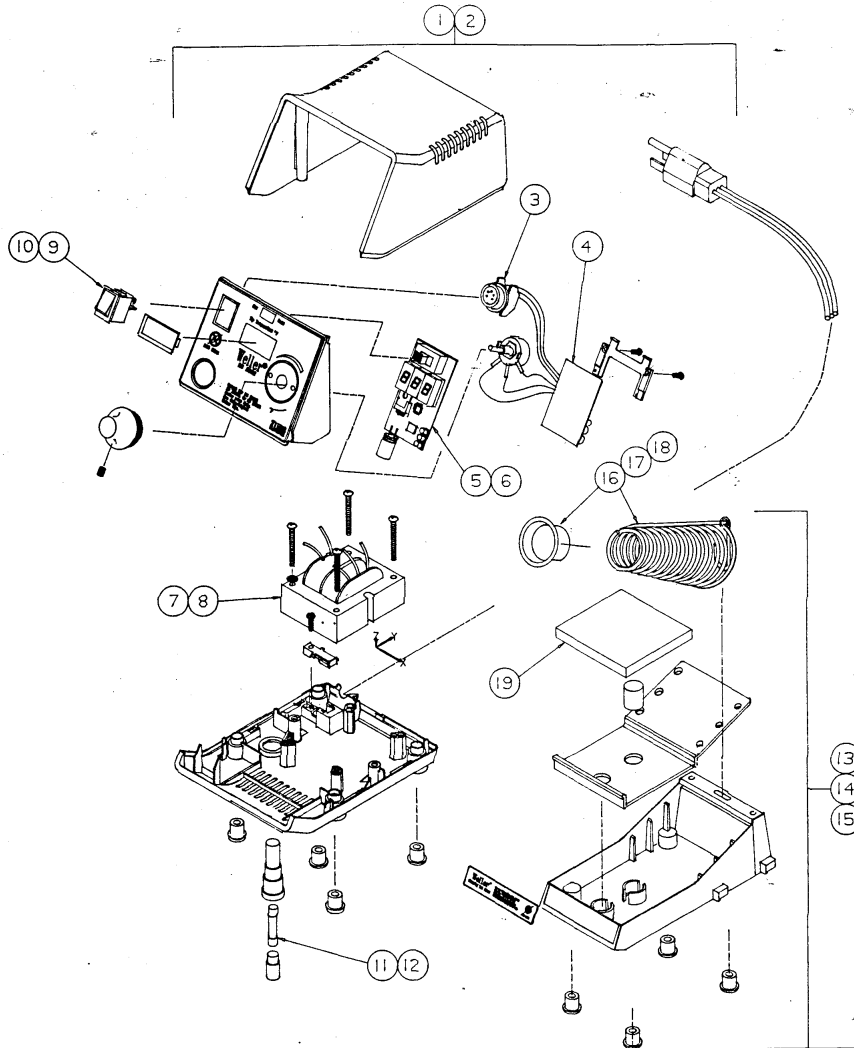


ITEM NO.	PART NO.	DESCRIPTION	ITEM NO.	PART NO.	DESCRIPTION
1	BA60	Barrel Nut Assembly	*	SHA1	Cushion Grip Sleeve for Iron Handle
2	EC234	Heater Assembly	*	EC240	Control Board Complete - EC2000 (D)
3	EC205	Sponge (10 per pack)	*	EC236	Display Board - Calibrated F (EC2000 Unit Only)
4	TC204	Iron Holder W/ Funnel	*	EC238	Display Board - Calibrated C (EC2000 D Unit Only)
5	EC1201A	Soldering Tool W/ ETA Tip	*	TR215	Power Transformer, 120V
6	EC2002B	Power Unit Only, 120V (Digital Unit)	*	TR216	Power Transformer, 240V
6a	EC2002DB	Power Unit Only, 240V	*	EC219	Switch
7	EC213	Plug Receptacle Kit			
8	EC232	Handle Assembly			
9	EC229A	Sensor Assembly W/ Spring			
10	EC233 ESD	Cord Assembly			

* not shown

EC2002-0

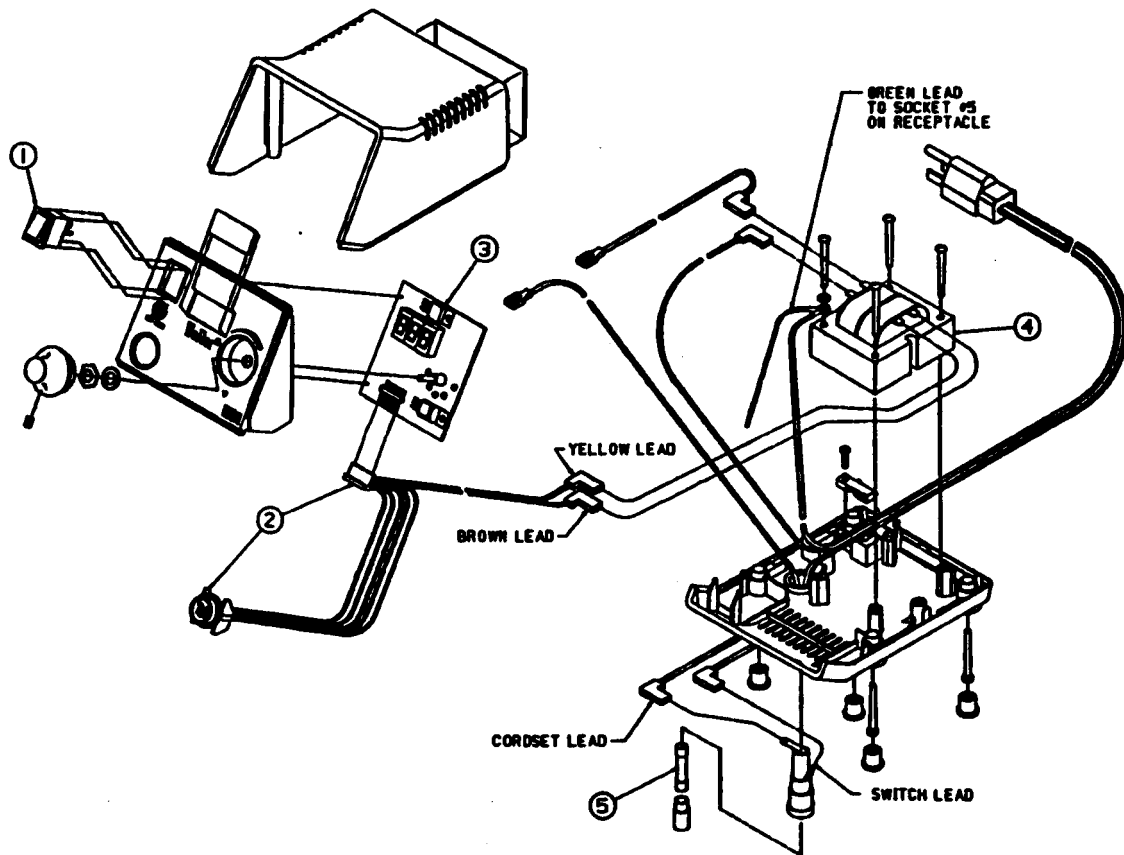
Electronically Controlled Soldering Station



ITEM NO.	PART NO.	DESCRIPTION	ITEM NO.	PART NO.	DESCRIPTION
1	EC2002-O	Power Unit °F 120 Vac W/O Iron & Stand	11	FP3	Fuse 0.6A 120 Vac 1/4"D. x 1 1/4"L.)
2	EC2002-OD	Power Unit °C 240 Vac W/O Iron & Handle	12	FP3-D	Fuse 0.312A 240 Vac 5mm Dia. x 20 mm. Lg.
3	EC213	Receptacle Kit	13	PH1201ESD	Iron Stand Assembly (EC1201A Iron)
4	EC240	Control Board	14	PH1301ESD	Iron Stand Assembly (EC1302A Iron)
5	EC236	Display Board °F (120 Vac)	15	PH1503	Iron Stand Assembly (EC1503A Iron)
6	EC238	Display Board °C (240 Vac)	16	TC204	Spring & Funnel Assembly (EC1201A Iron)
7	TR215	Transformer 120 Vac	17	IHF225EC	Spring & Funnel Assembly (EC1302A Iron)
8	TR216	Transformer 240 Vac	18	EC254	Spring & Funnel Assembly (EC1503A Iron)
9	SW130	Switch 120 Vac	19	TC205	Sponge
10	SW230	Switch 240 Vac			

EC2002M-0

Microprocessor Controlled Digital Soldering System

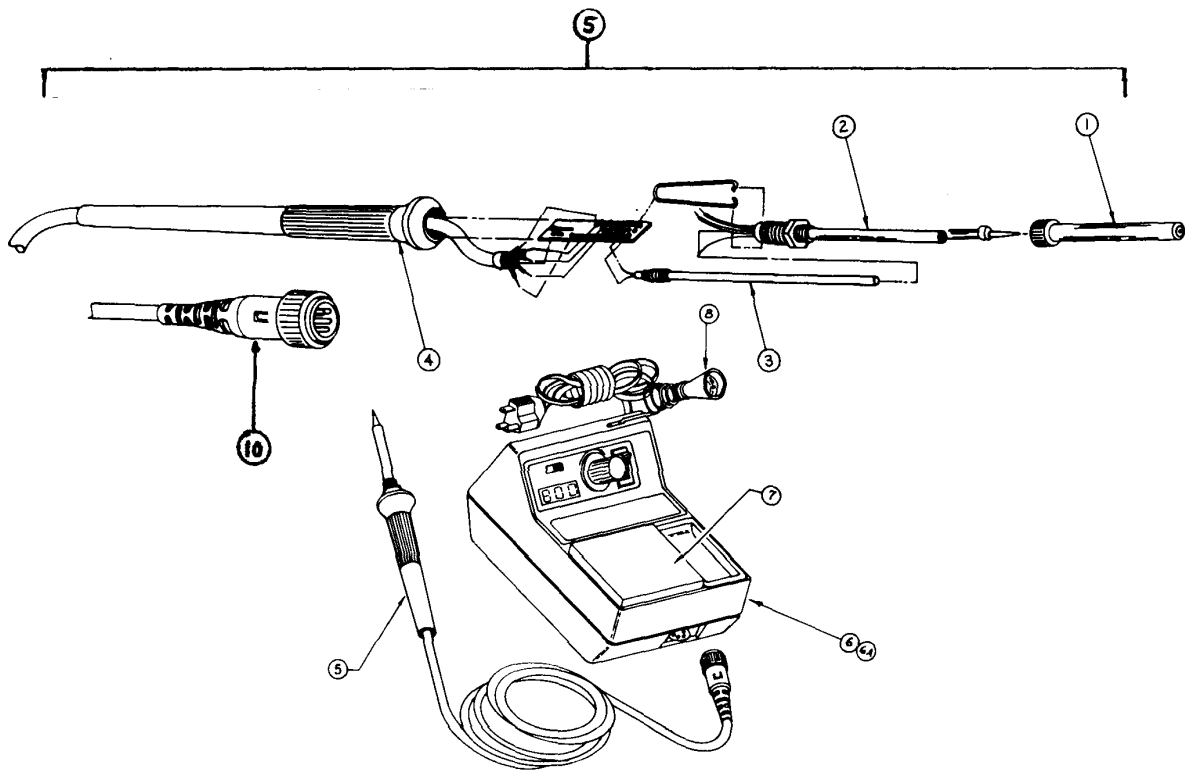


ITEM NO.	PART NO.	DESCRIPTION	ITEM NO.	PART NO.	DESCRIPTION
1	SW110	Power Switch	*	EC1302AP	EC1302A Toll With Stand
2	EC270	Receptacle and Wire Harness	*	EC1503AP	EC1503A Tool With Stand
3	EC269	Circuit Board Assembly	*	WCM1	Calibration Unit
4	TR234	Power Transformer, 120Vac, EC2002M-0			
*	TR235	Power Transformer, 240Vac, EC2002M-0D			
5	FP3	Fuse, .6 AMP SB			
*	TC205	Sponge			
*	TC204	Spring and Funnel for EC1201A Tool			
*	IHF225EC	Spring and Funnel for EC1302A Tool			
*	EC254	Spring and Funnel for EC1503A Tool			
*	EC1201AP	EC1201A Tool With Stand			

* not shown

EC3000/EC4000/EC3000ESD/EC4000ESD

Electronically Controlled Soldering Station

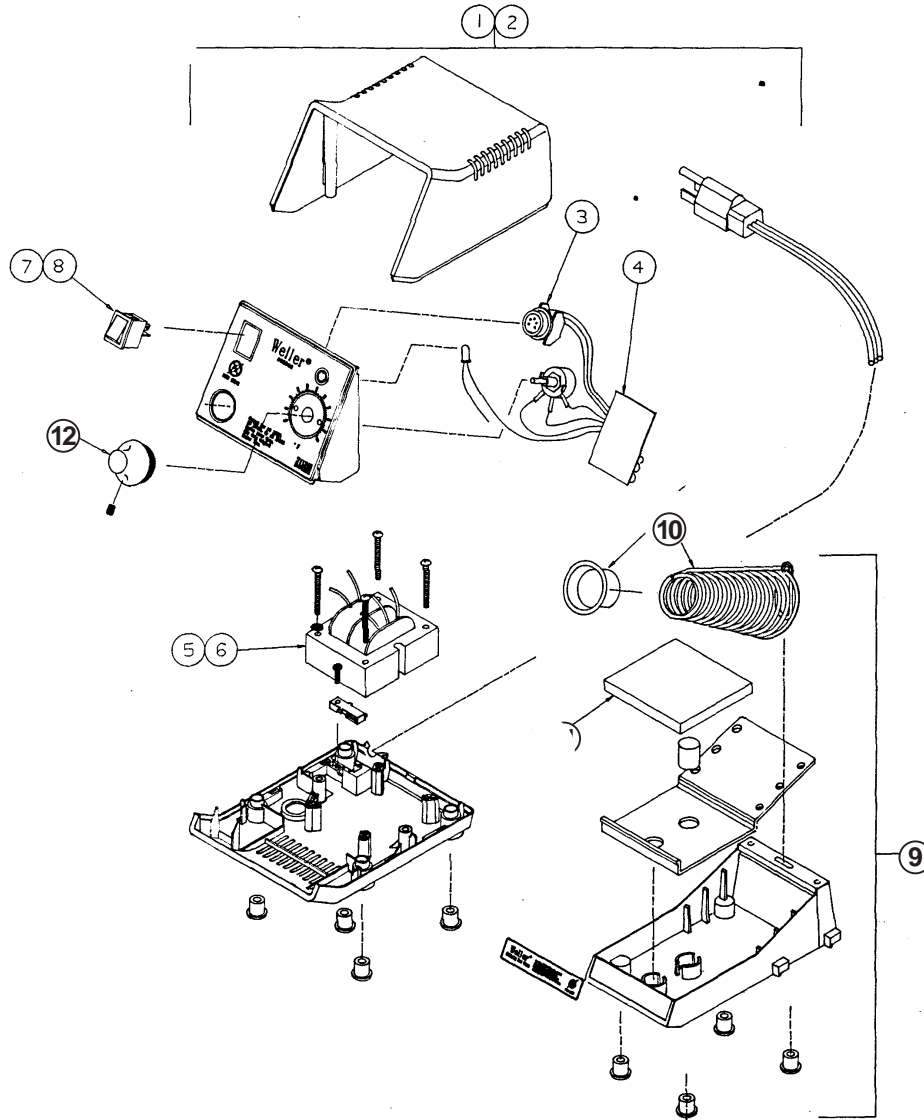


ITEM NO.	PART NO.	DESCRIPTION	ITEM NO.	PART NO.	DESCRIPTION
1	EC231	Barrel Nut Assembly	10	EC213	Plug/Receptacle Kit
2	EC221	Heater Assembly	*	EC235	Control Board Calibrated, EC3000/ESD
3	EC222	Sensor Assembly	*	EC236	Display Board Calibrated, °F
4	EC223	Handle/Cord/Terminal Board Assy.	*	EC237	Control Board Calibrated, EC4000/ESD
5	EC1301R	Soldering Tool w/EPH101Tip	*	TR227	Power Transformer 120v.
6	EC4002	Power Unit Only - with Display	*	SW3001	Power Switch 120v. EC3000
6a	EC3002	Power Unit Only - without Display	*	SW4001	Power Switch EC4000
7	TC205	Sponge	*	WC3000	Calibration Reference Unit
8	IHF225EC	Iron Holder w/Funnel			
9	PH1301ESD	Iron Stand			

* Not Shown

EC3001/EC3001ESD

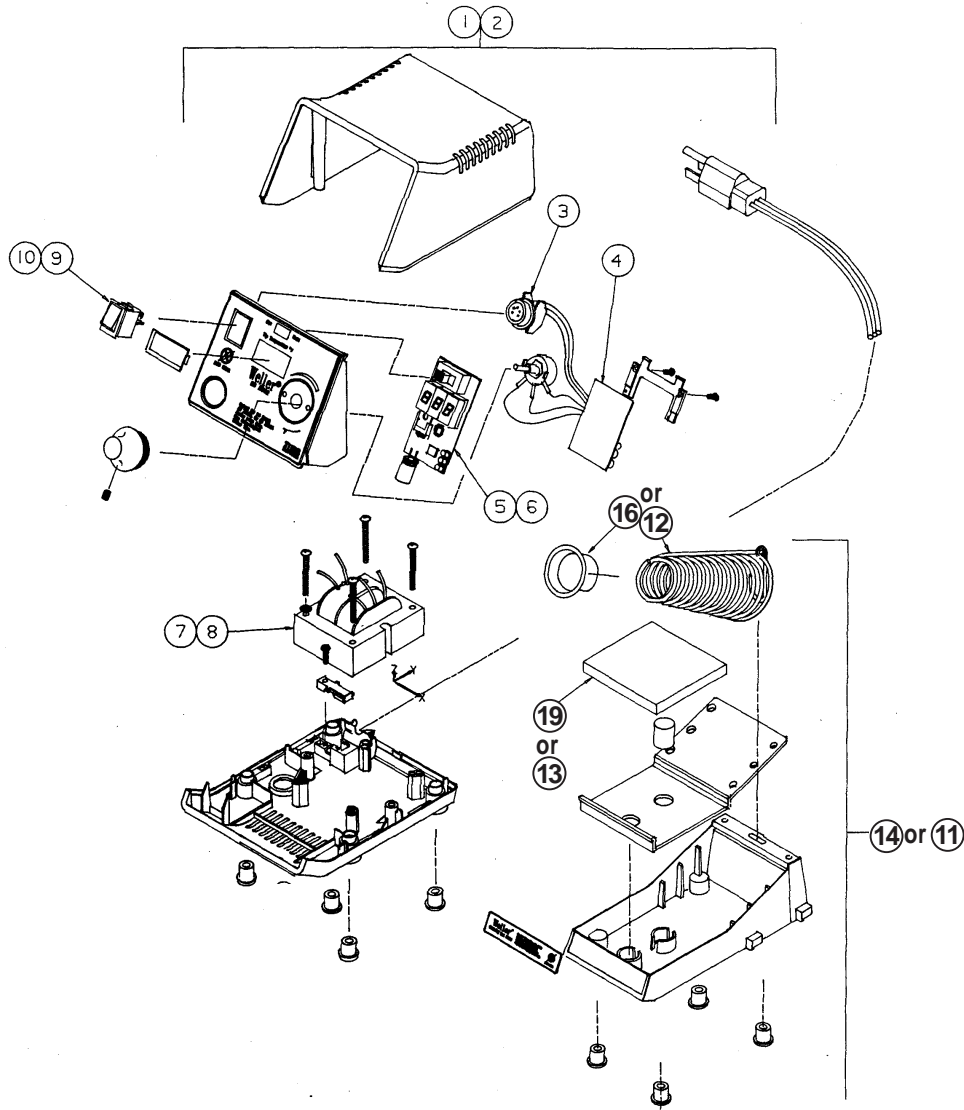
Electronically Controlled Soldering Station



ITEM NO.	PART NO.	DESCRIPTION	ITEM NO.	PART NO.	DESCRIPTION
1	EC3002C/ESD	Power Unit F 120 Vac W/O Iron & Stand	11	TC205	Sponge
2	EC3002CD/ESD	Power Unit C 240 Vac W/O Iron & Stand	12	EC266	Knob Replacement (Calibration)
3	EC213	Receptable Kit			
4	EC235	Control Board			
5	TR227	Transformer 120 Vac			
6	N/A	Transformer 240 Va			
7	SW130	Switch 120 Vac			
8	N/A	Switch 240 Vac			
9	PH1301ESD	Iron Stand Assembly (EC1302A Iron)			
10	IHF225EC	Spring & Funnel Assembly (EC1302A)			

EC4001/EC4001ESD

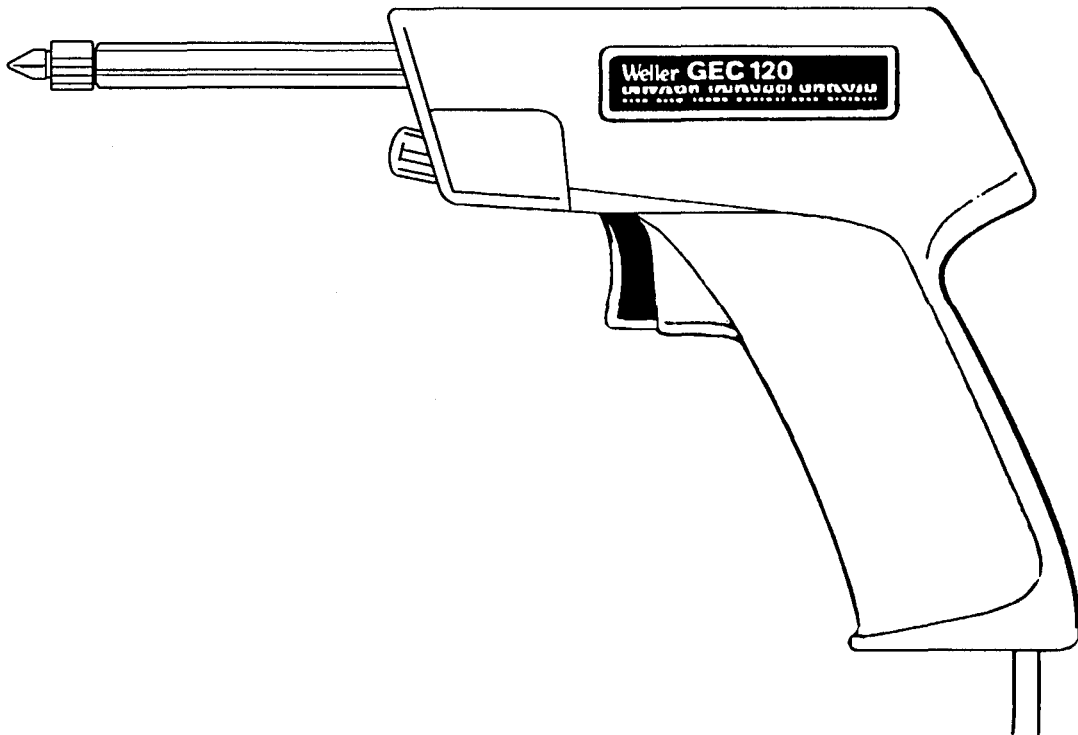
Electronically Controlled Soldering Station



ITEM NO.	PART NO.	DESCRIPTION	ITEM NO.	PART NO.	DESCRIPTION
1	EC4002C/ESD	Power Unit F 120 Vac W/O Iron & Stand	11	PH1301ESD	Iron Stand Assembly (EC1302A Iron)
2	EC4002CD/ESD	Power Unit C 240 Vac W/O Iron & Stand	12	IHF225EC	Spring & Funnel Assembly (EC1302A Iron)
3	EC213	Receptacle Kit	13	TC205	Sponge
4	EC237	Control Board			
5	EC236	Display Board F (120 Vac)			
6	EC238	Display Board C (240 Vac)			
7	TR227	Transformer 120 Vac			
8	N/A	Transformer 240 Vac			
9	SW130	Switch 120 Vac			
10	N/A	SWitch 240 Vac			

GEC120

Soldering Station



ITEM NO.	PART NO.	DESCRIPTION	ITEM NO.	PART NO.	DESCRIPTION
1	GEC500	Trigger Switch			
2	GEC501	Heater			
3	GEC502	Circuit Board Complete			
4	GEC503	Lamp			
5	GEC504	Cord Set			
6	GEC505	Housing W/ Screws			

* not shown

HAP701

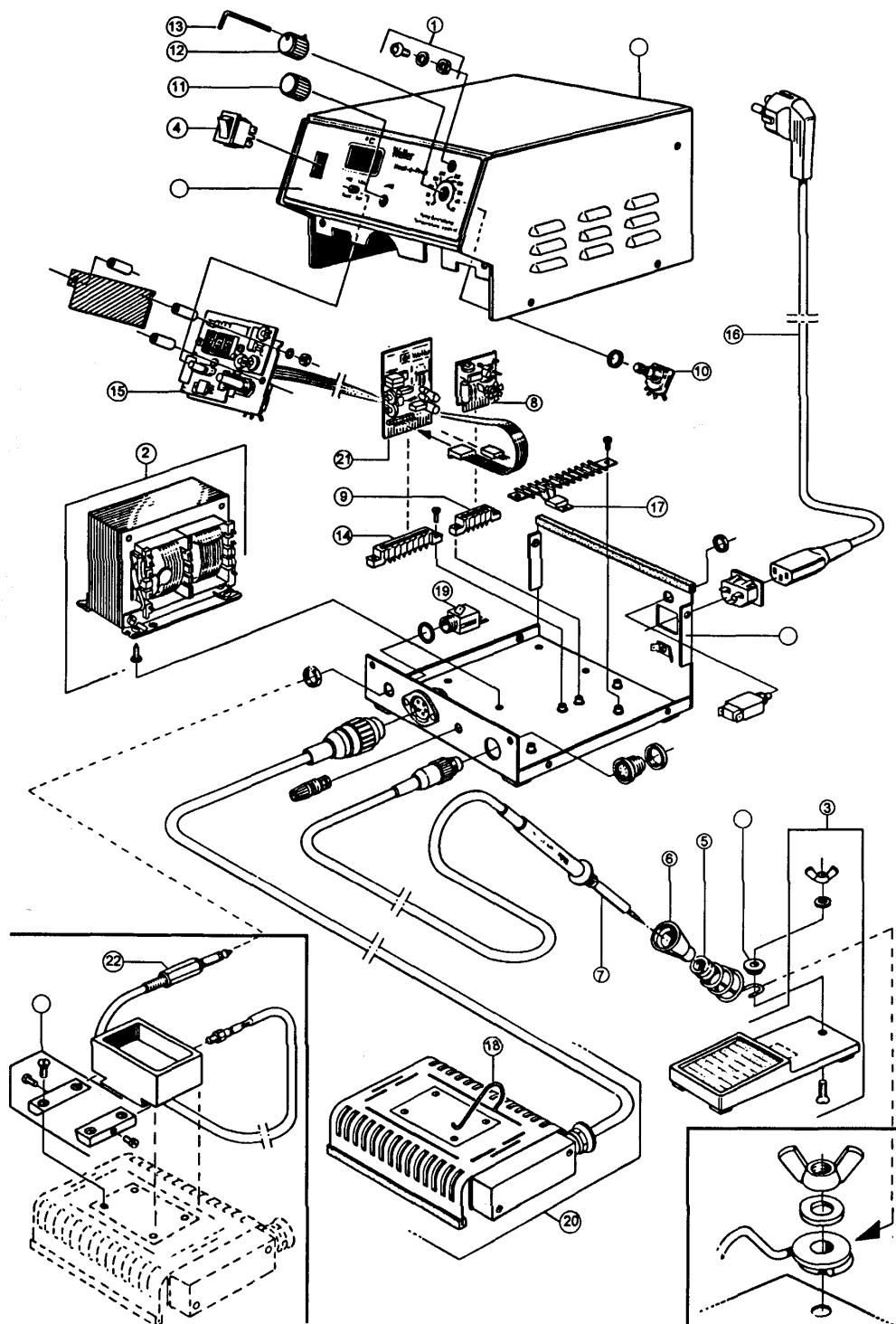
Heat-A-Print Station

Item No.	Part No.	Description	Suggested Resale
1	51353500	Glue Diode	
2	51369900	Transformer 220V	
3	51505999	Basic Plate	
4	52161000	On/Off Switch	
5	52245000	Spring for Holder	
6	52245200	Funnel for Holder	
7	52310099	Soldering Pencil	
8	52330099	Circuit Board for Pencil	
9	52445100	Socket for Circuit Board	
10	52446500	Potentiometer	
11	52446600	Knob	
12	52446698	Knob	
13	52446900	Allen Hex Key	
14	52734900	Socket for Circuit Board	
15	52830598	Digital Read-out	
16	57004000	Mains-Cord	
17	58701025	Triac	
18	58701028	Spring-Clamp.....	
19	58701037	Socket with Contact	
20	58701712	Heating Plate - Complete	
21	58701714	Circuit Board	
22	58701723	Sensor	

SEE ILLUSTRATION ON NEXT PAGE

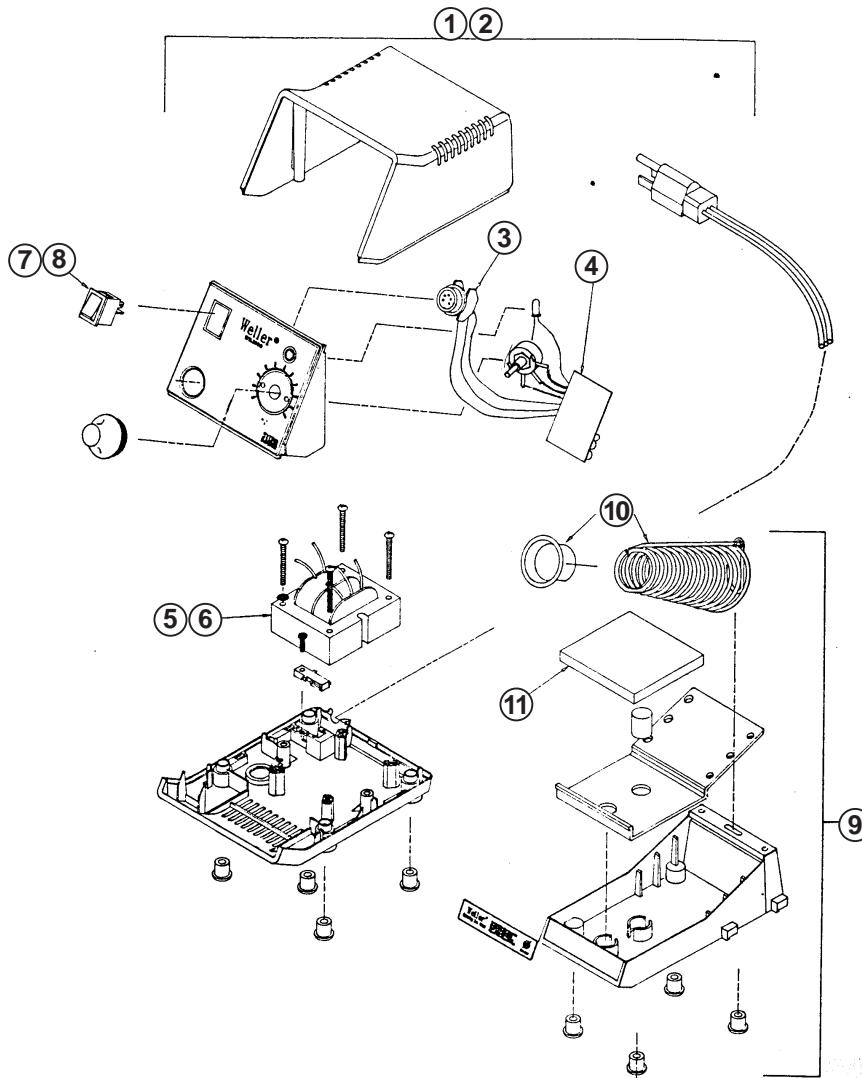
HAP701

Heat-A-Print Station (cont.)



HVC3000

Electronically Controlled Soldering Station

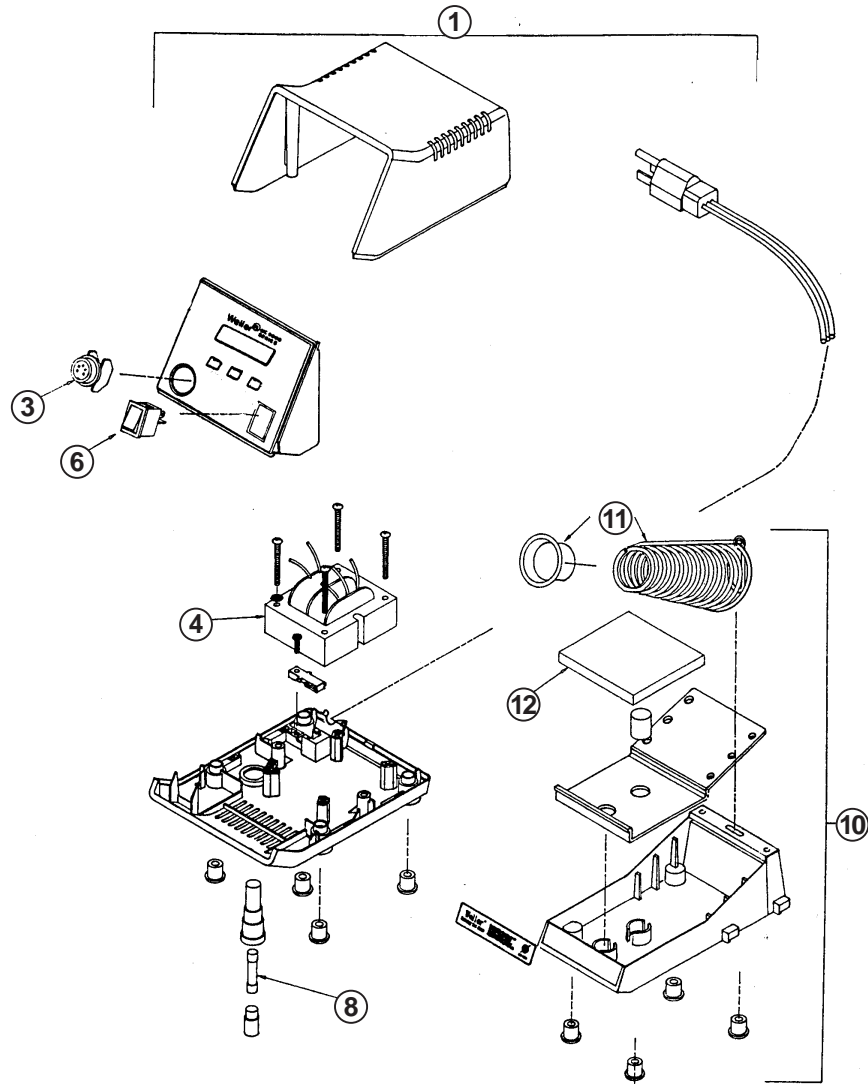


ITEM NO.	PART NO.	DESCRIPTION	ITEM NO.	PART NO.	DESCRIPTION
1	HVC3000	Power Unit F 120 Vac	9	PH1503	Iron Stand Assembly (EC1503A Iron)
2	HVC3000D	Power Unit C 240 Vac	10	EC254	Spring & Funnel Assembly (EC1503A Iron)
3	EC213	Receptacle Kit	11	TC205	Sponge
4	TL125	Control Board	12	EC1503R	Iron Assembly W/ EMA Tip (see illustration next page)
5	TR215	Transformer 120 Vac			
6	TR216	Transformer 240 Vac			
7	SW130	Switch 120 Vac			
8	SW230	Switch 240 Vac			
*	FP1	Fuse 0.6A 120 Vac 1/4"D. x 1/4"L.			

* not shown

MC5000

Microprocessor Controlled Soldering Station

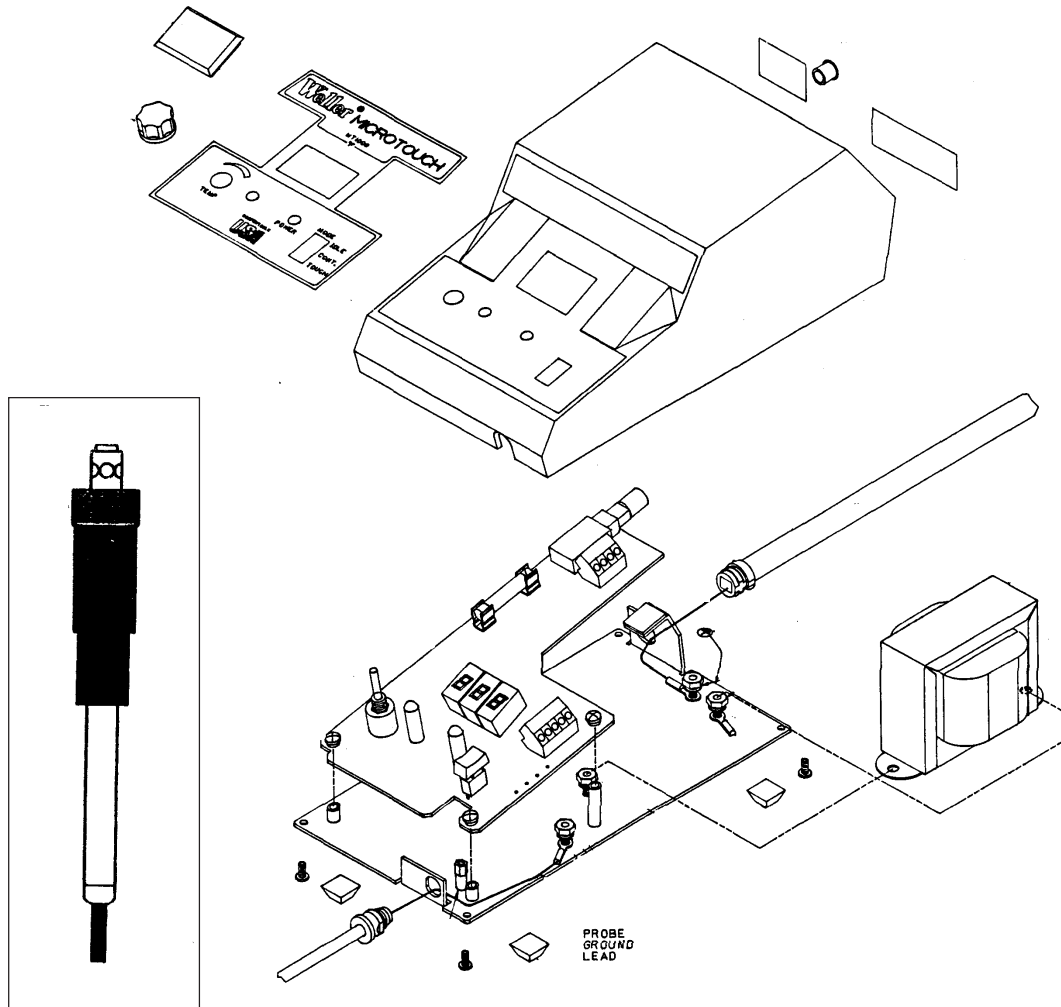


ITEM NO.	PART NO.	DESCRIPTION	ITEM NO.	PART NO.	DESCRIPTION
1	MC5000-0	Power Unit Only, 120V 60hz	*	IHF225EC	Tool Holder With Funnel for EC1302
3	MC204	Receptacle Kit	*	PH1301ESD	Tool Stand (ESD) for EC1302
4	TR230	Power Transformer, 120V	*	MC200	Display Circuit Board Assembly
6	SW120ESD	Power Switch, 120V	*	MC201	CPU Circuit Board Assembly
8	MC203	Fuse, 1 Amp Slow Blow With Sleeve			
10	PH1201ESD	Tool Stand (ESD) for EC1201PESD			
11	TC204	Tool Holder With Funnel for EC1201PESD			
12	TC205	Sponge for Tool Stands			
*	MC202	Keypad			

* not shown

MT 1000

Microtouch Soldering Station

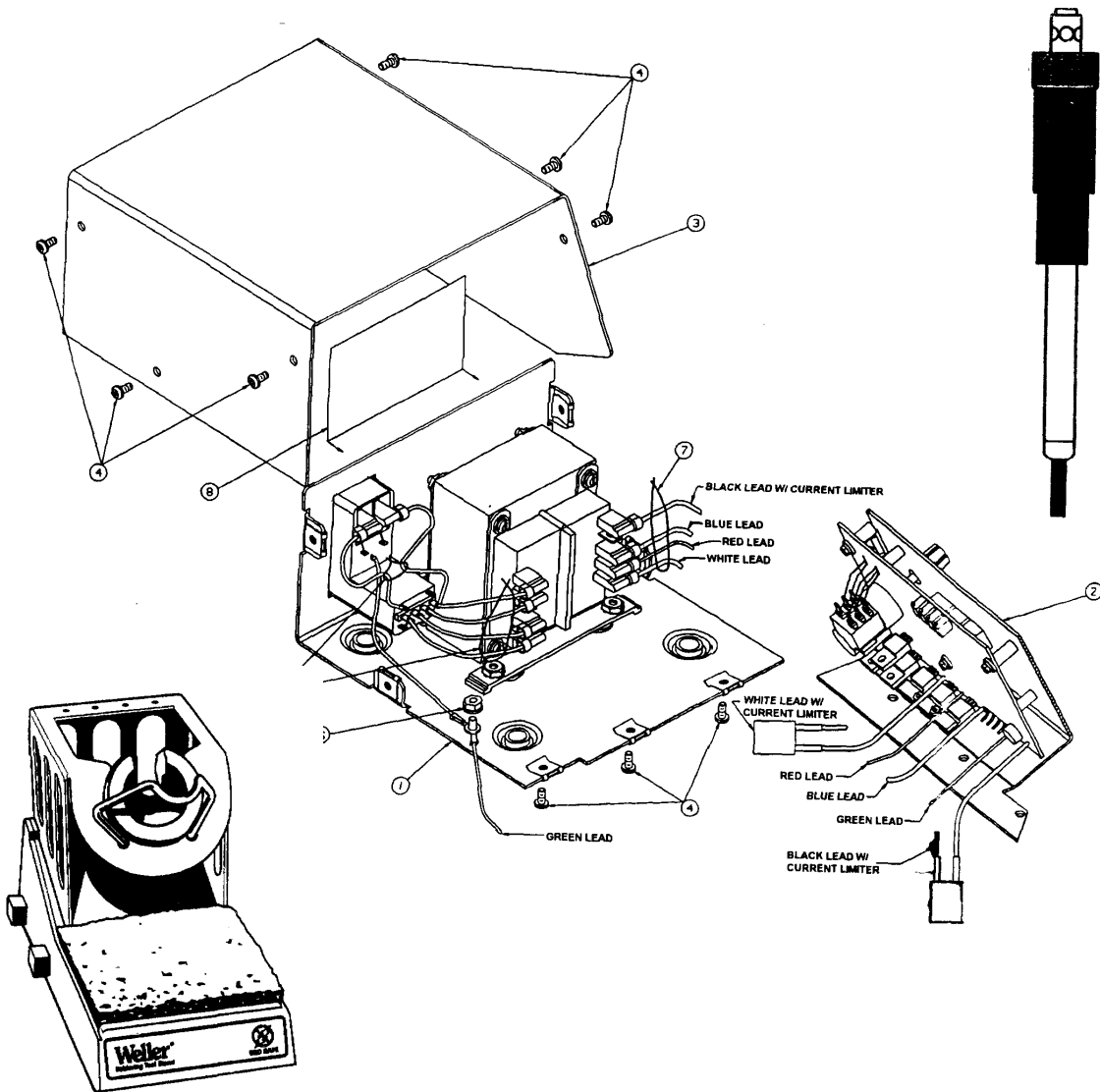


ITEM NO.	PART NO.	DESCRIPTION	ITEM NO.	PART NO.	DESCRIPTION
*	MT109	Handpiece Stand			
*	MT110	Foot Switch			
*	MT120	Calibration Tip, .015" Dia. Conical With Type K Thermocouple			

* Not Shown

MT1500

Microtouch Plus

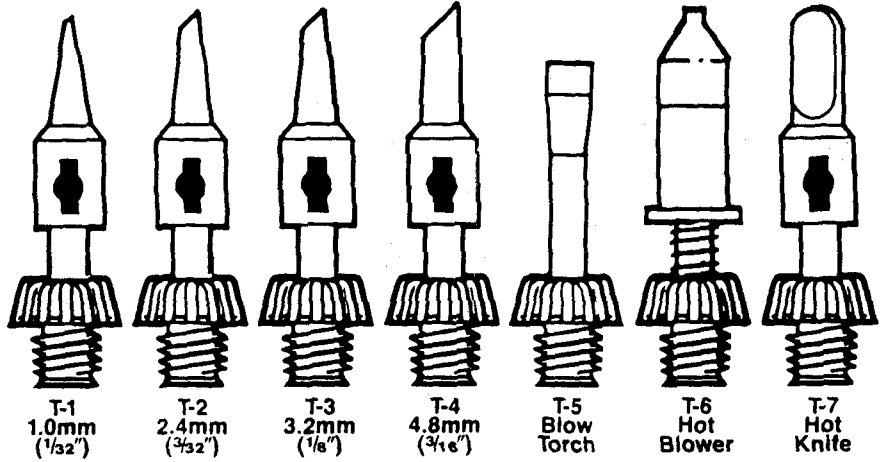


ITEM NO.	PART NO.	DESCRIPTION	ITEM NO.	PART NO.	DESCRIPTION
*	MT1501	Replacement Handle			
*	TC205	Sponge			
*	MT220	Calibration Tip, Conical .030D			
*	MT320	Calibration Tip, Screwdriver .047W			
*	MT620	Calibration Tip, Screwdriver .070W			
*	PH2000	Universal Iron Stand			

* not shown

Portasol® P-1

Cordless, Refillable Butane Gas Powered Soldering Tool



T-1
1.0mm
(1/32")

T-2
2.4mm
(3/32")

T-3
3.2mm
(1/8")

T-4
4.8mm
(3/16")

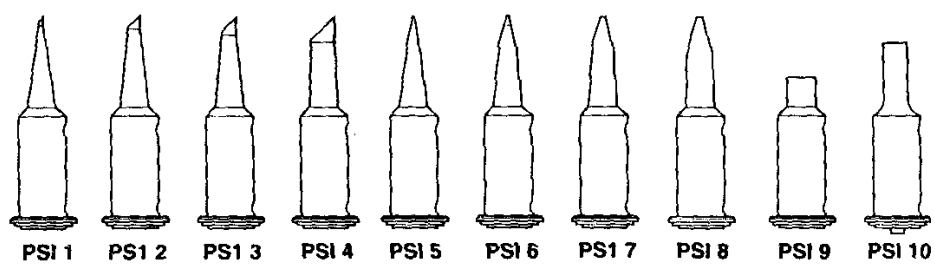
T-5
Blow
Torch

T-6
Hot
Blower

T-7
Hot
Knife

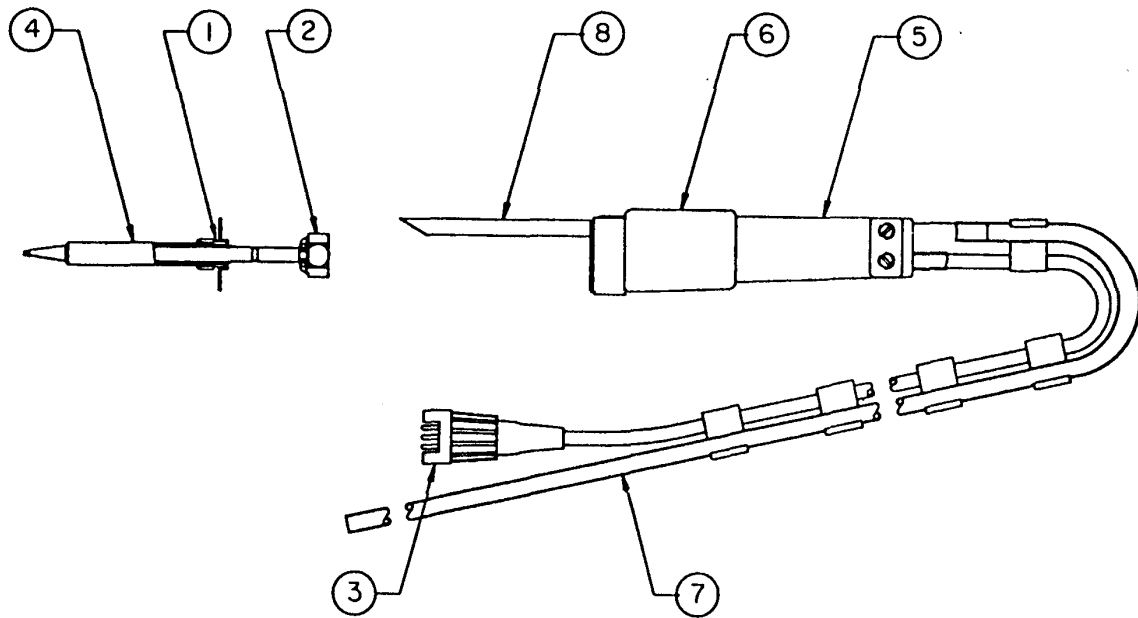
Portasol® PSI-100

Butane Gas Powered Soldering Tool



TC201-FE

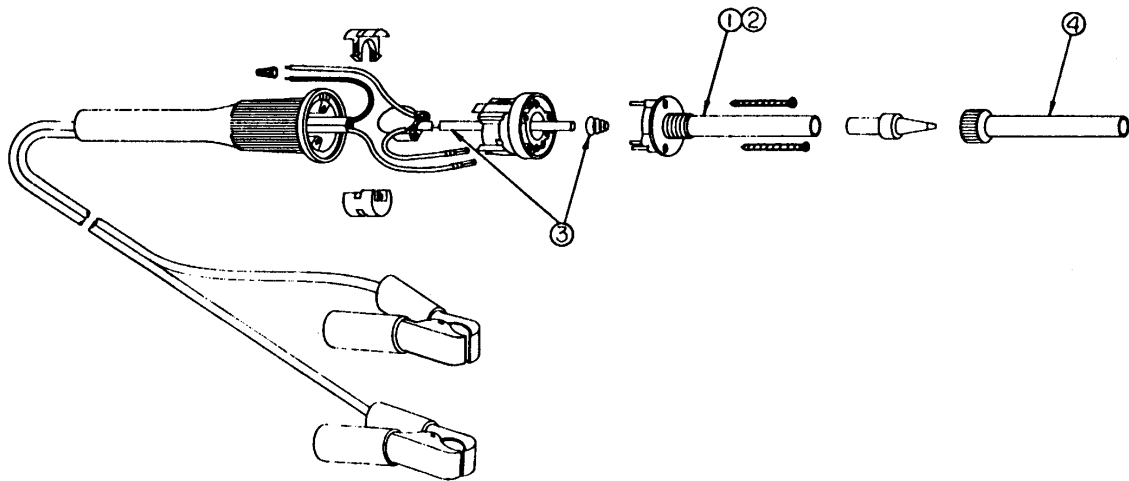
Fume Extraction Soldering Tool



ITEM NO.	PART NO.	DESCRIPTION	ITEM NO.	PART NO.	DESCRIPTION
1	EC234-FE	Heater Assembly			
2	3-1450	Switch Assembly W/ Spring			
3	3-1540	Cordset W/ Plug			
4	BA60	Barrel Nut Assembly			
5	HTC-FE	Handle Assembly with Smoke Tube			
6	SHA1	Cushion Grip Sleeve for Handle			
7	RT-FE	Plastic Tubing			
8	T419	Smoke Tube			

TCP12P/TCP24P

Controlled Output Field Soldering Irons

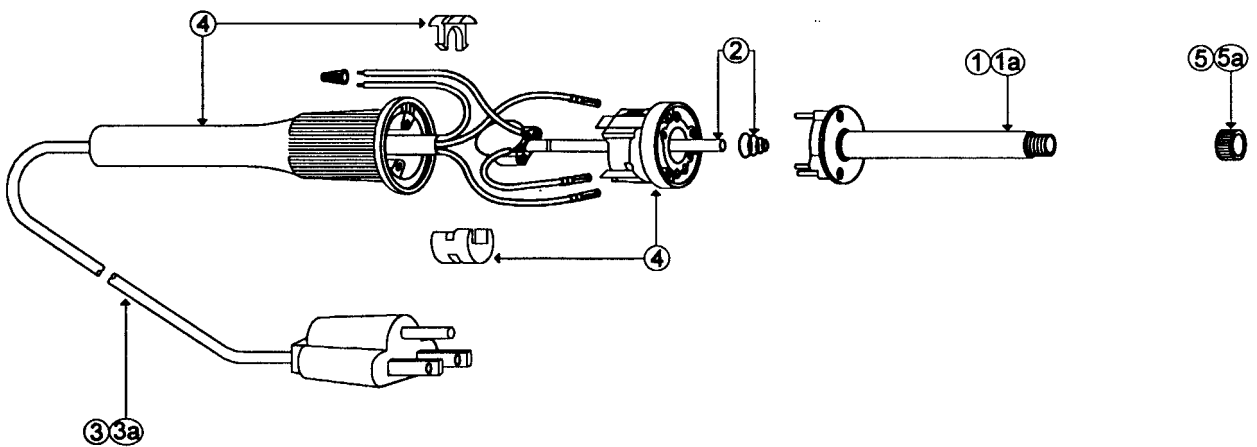


ITEM NO.	PART NO.	DESCRIPTION	ITEM NO.	PART NO.	DESCRIPTION
1	HE12P	Heater Element, TCP12P			
2	EC234	Heater Element, TCP24P			
3	SW60	Switch Assembly			
4	BA60	Barrel Nut Assembly			

* not shown

W60P - W100 P Series

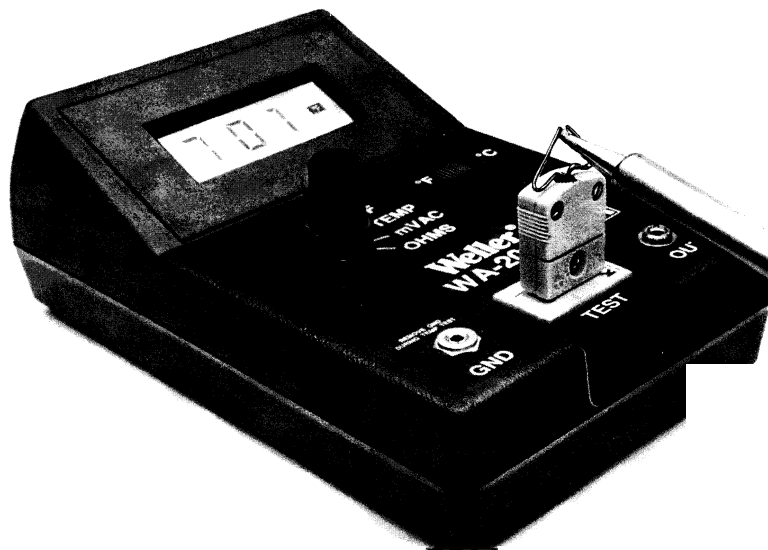
Controlled Output Soldering Tools



ITEM NO.	PART NO.	DESCRIPTION	ITEM NO.	PART NO.	DESCRIPTION
1	HEW60P	Heater Element, W60P			
1a	HEW100P	Heater Element, W100P			
2	SW60	Switch Assembly			
3	CS2W	Cord Set W/ Strain Relief (2 wire)			
3a	CS3W	Cord Set W/ Strain Relief (3 wire)			
4	EC232	Handle Assembly			
5	KN60A	Tip, Nut, W60P			
5a	KN100A	Tip, Nut, W100P			
*	PH60	Soldering Tool Stand W/ Sponge (W60P)			
*	PH100	Soldering Tool Stand W/ Sponge (W100P)			

WA2000

Soldering Iron Analyzer

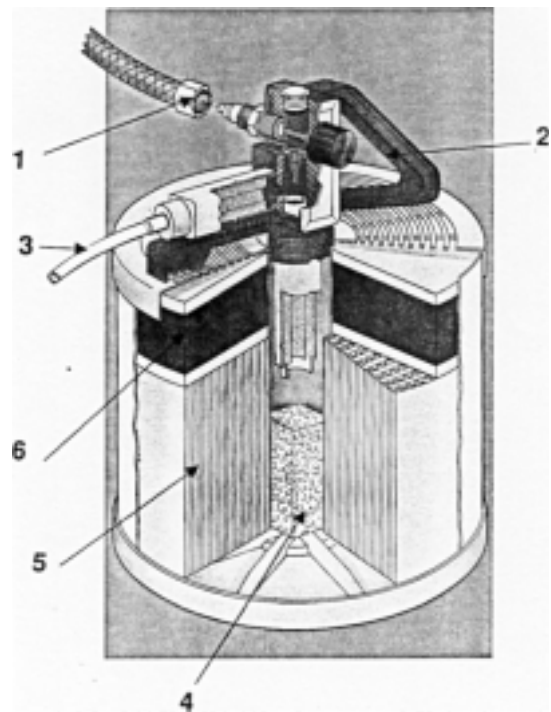


ITEM NO.	PART NO.	DESCRIPTION	ITEM NO.	PART NO.	DESCRIPTION
*	C724	Vinyl Accessory Case			
*	7-3400	Ground Cord Adaptor			
*	CP-01	Contact Pyrometer, Large Gauge			
*	CP-02	Contact Pyrometer, Small Gauge			
*	K-111	Type K Thermocouple Assembly, ETA tip (EC1201 series)			
*	K-121	Type K Thermocouple Assembly, EPH107 Tip (EX1301/1302 Series)			
*	K-131	Type K Thermocouple Assembly, EMA Tip (EX1503 Series)			
*	K-141	Type K Thermocouple Assembly, WCC100 Tip			
*	P143	Recorder Cable Assembly			
*	S719	Iron Stand			

* Not Shown Note: Weller offers a calibration and certification service for the WA2000 analyzer through the factory.

WAX 1

Weller Airex Fume Extraction Station

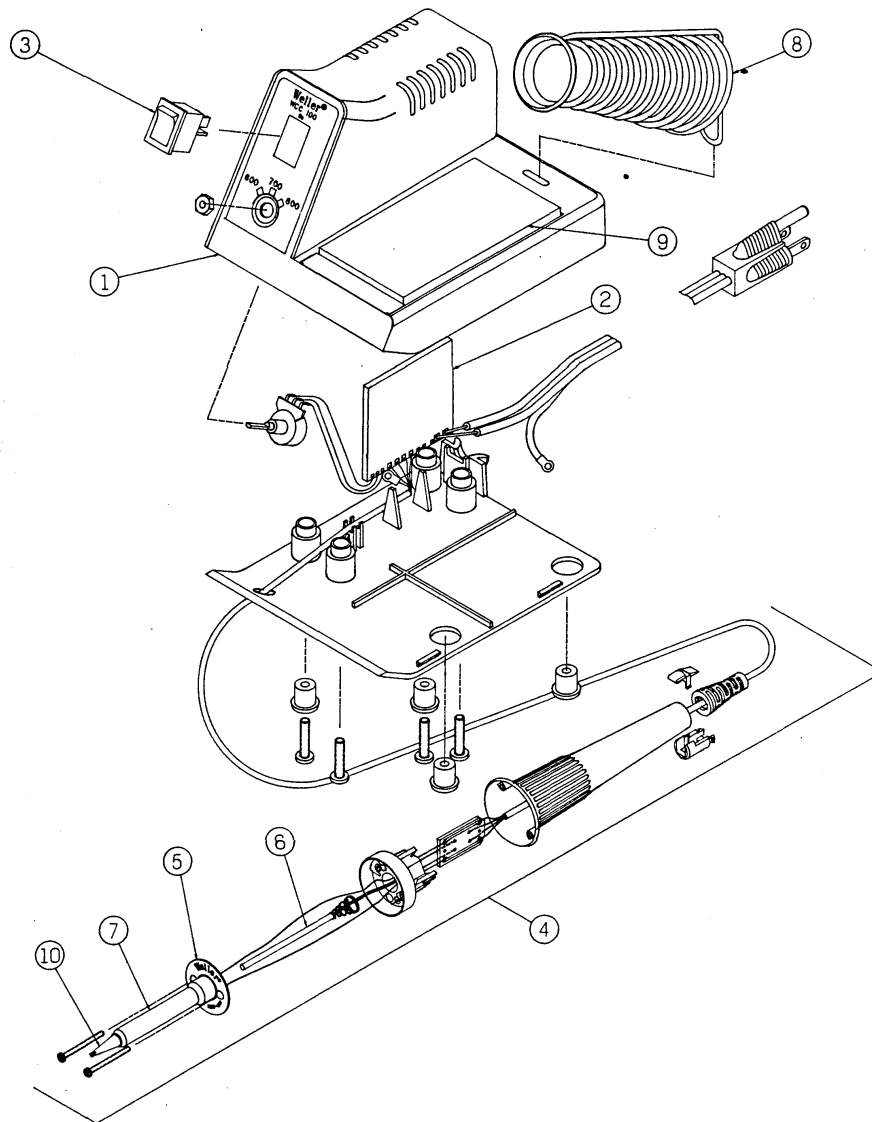


ITEM NO.	PART NO.	DESCRIPTION	ITEM NO.	PART NO.	DESCRIPTION
1	N/A	Compressed Air Hose			
2	WAX1	Airex (Complete Unit)			
3	WAXH1	Extractor Hose 1.5m, Ø 4,2mm			
4,5,6	WAXF1	Filter			
*	WAXSF1	Silencer filter			
*	WAXK2	Kit for connection of two soldering irons			

* Not Shown

WCC100

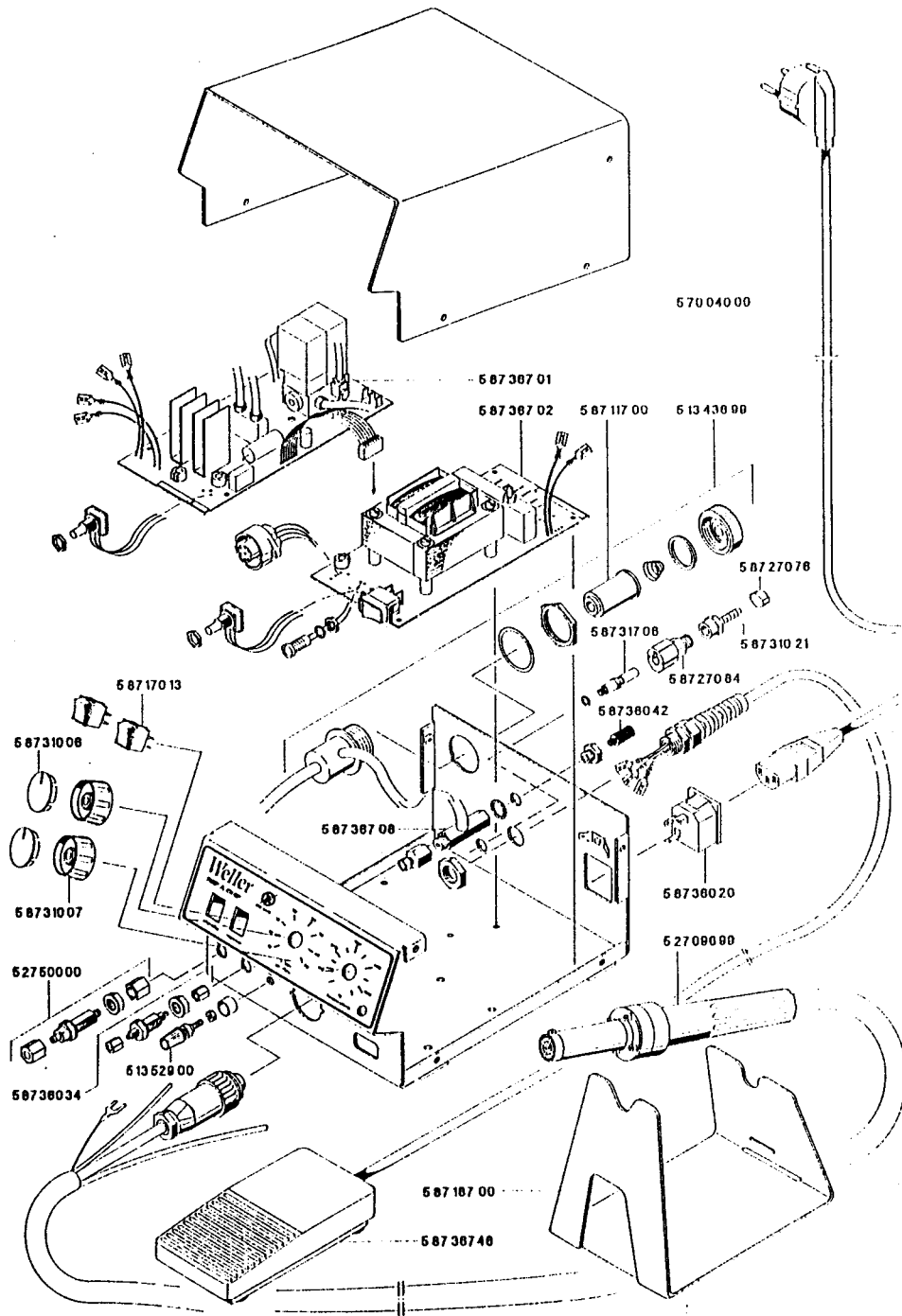
Electronic Soldering Station



ITEM NO.	PART NO.	DESCRIPTION	ITEM NO.	PART NO.	DESCRIPTION
1	WCC100	Power Unit F 120 Vac W/ 40 W. Iron			
2	WCC106	Control Board W/ Pot			
3	SW120	Switch			
4	WCC101	Soldering Iron W/ ETA Tip			
5	WCC102	Heater Assembly			
6	WCC103	Sensor Assembly W/ Spring			
7	WCC108	Barrel/ Nut Assembly			
8	WCC105	Spring and Funnel Assembly			
9	WCC104	Sponge			
10	ETA	1/16" Screwdriver Tip			

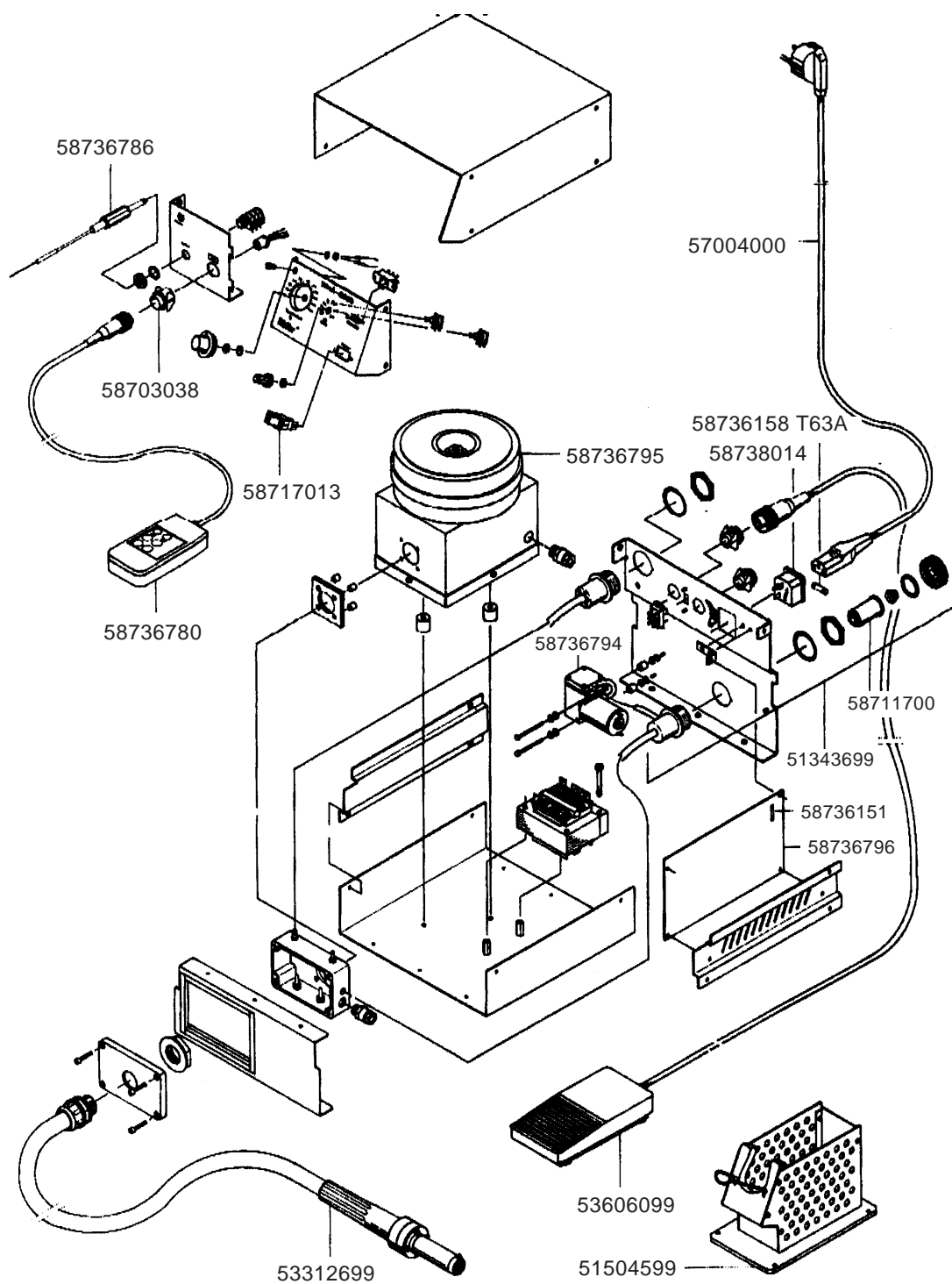
WHA1000

Hot Air Rework Station



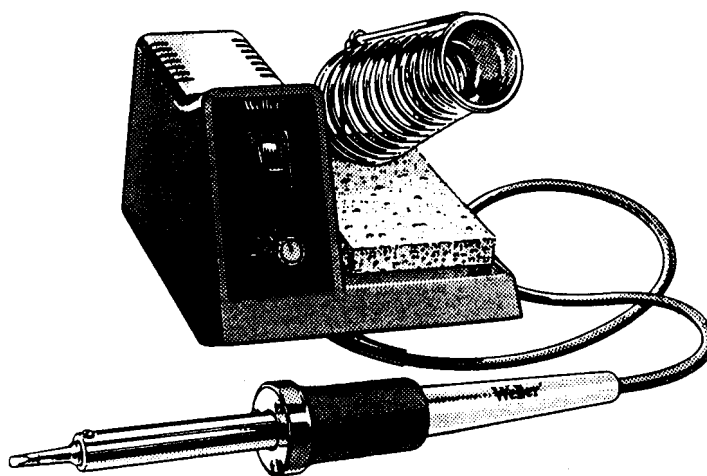
WHA 2000

Self-Contained Hot Air Reflow System



WLC 100

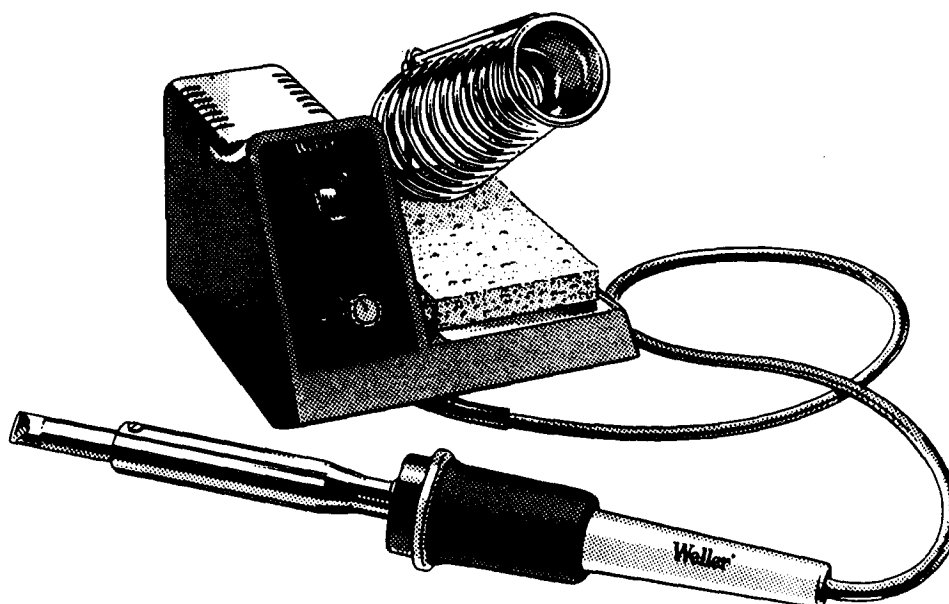
Consumer Soldering Station (40 watt)



ITEM NO.	PART NO.	DESCRIPTION	ITEM NO.	PART NO.	DESCRIPTION
1	HE40	Replacement Heating Element			
2	WCC104	Replacement Sponge			

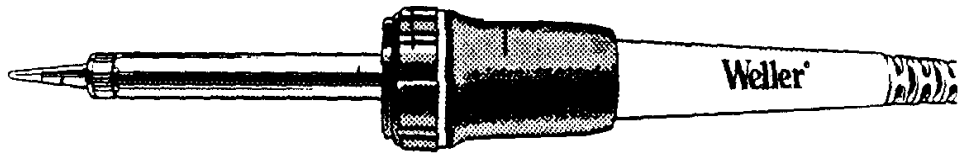
WLC 200

Stained Glass Soldering Station (80 watt)



ITEM NO.	PART NO.	DESCRIPTION	ITEM NO.	PART NO.	DESCRIPTION
1	HE80	Replacement Heating Element			
2	WCC104	Replacement Sponge			

WP Series Professional Soldering Irons (WP25/30/35)



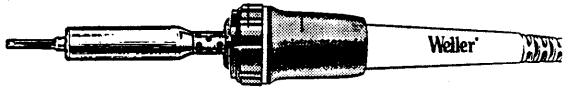
ITEM NO.	PART NO.	DESCRIPTION	ITEM NO.	PART NO.	DESCRIPTION
*	HE 25	Replacement Heater for 25-Watt Iron			
*	HE 30	Replacement Heater for 30-Watt Iron			
*	HE35	Replacement Heater for 35-Watt Iron			

Heater Replacements Include Heater and Knurled Collar

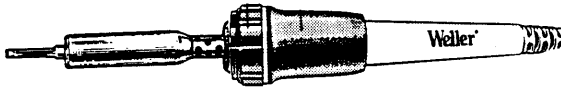
** Not Shown*

Pro Plus™ Series Soldering Irons

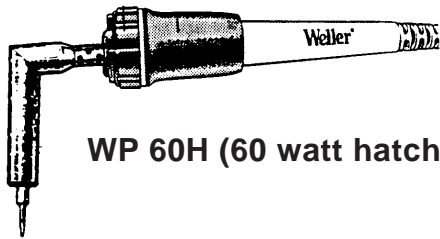
WP40S/60S/60H/100S



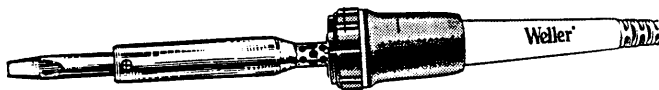
WP 40S (40 watt)



WP 60S (60 watt)

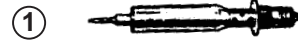


WP 60H (60 watt hatchet)



WP 100S (80 watt)

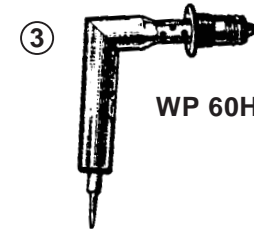
Replacement Heaters



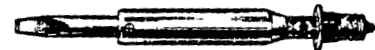
WP 40SMOD



WP 60SMOD



WP 60HMOD

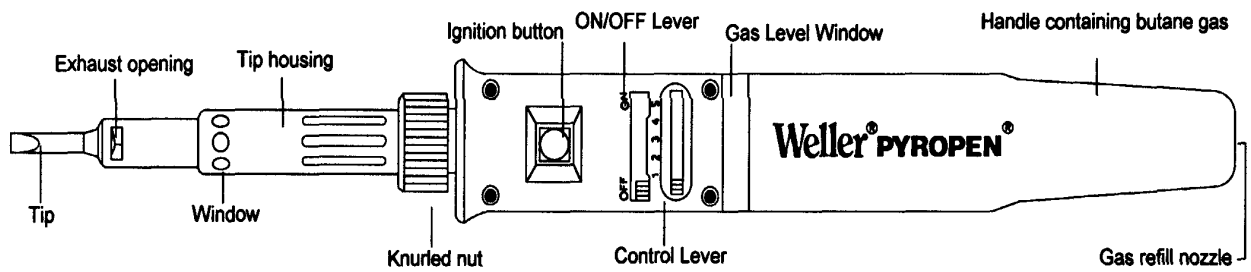


WP 100SMOD

ITEM NO.	PART NO.	DESCRIPTION	ITEM NO.	PART NO.	DESCRIPTION
1	WP40SMOD	Replacement Heating Element			
2	WP60SMOD	Replacement Heating Element			
2	WP60HMOD	Replacement Heating Element			
2	WP100SMOD	Replacement Heating Element			

WPA2

Self-Igniting Pyropen

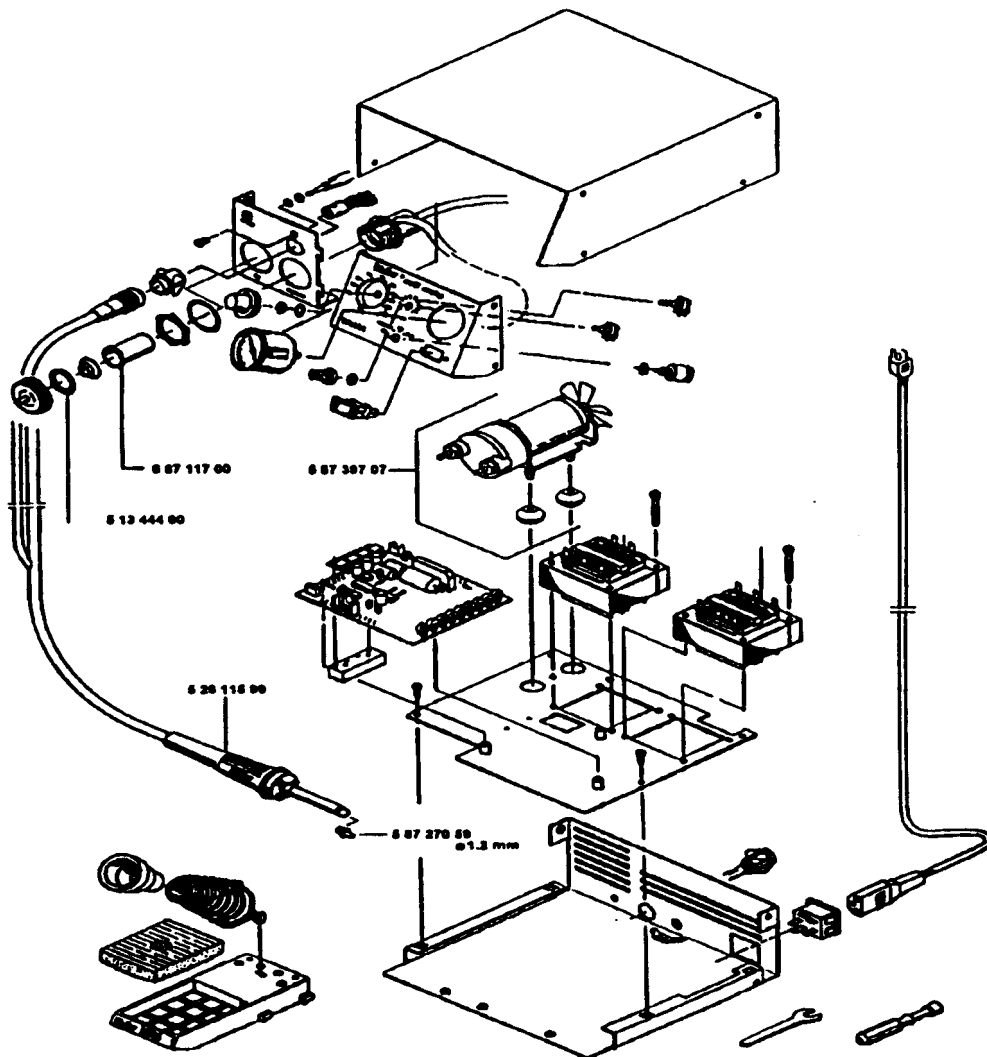


ITEM NO.	PART NO.	DESCRIPTION	ITEM NO.	PART NO.	DESCRIPTION
*	WPA-PC	Cap			
*	WPA-B	Burner			
*	WPA-E	Ejector			
*	WPA-CN	Cap Nut			
*	WB1	Butane Refill (70 ml)			

* not shown

WRS1000

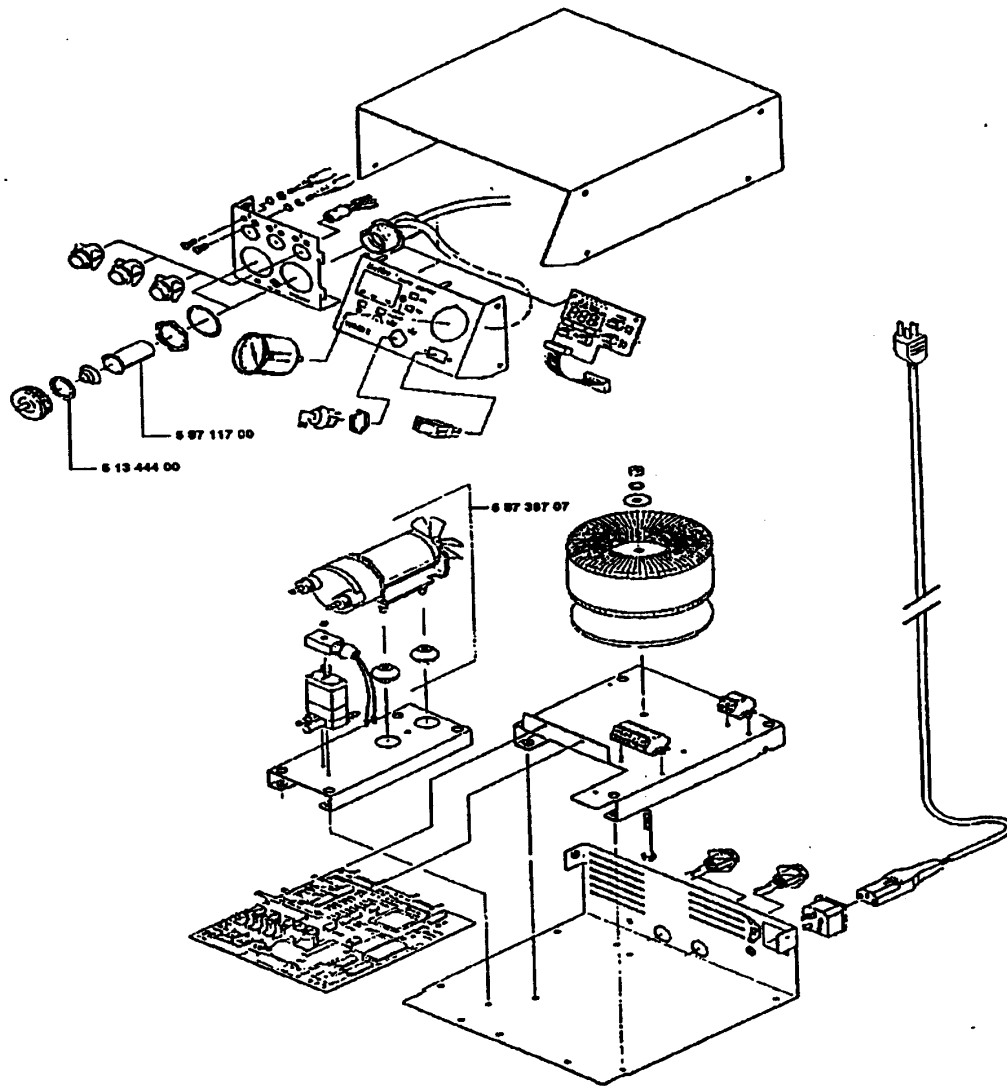
Electronically Controlled Rework System



ITEM NO.	PART NO.	DESCRIPTION	ITEM NO.	PART NO.	DESCRIPTION
*	HAP1	Hot Air Pencil (Replacement)			
*	5 87 117 00	Filter, Main (Air Or Vacuum)			
*	5 13 444 00	Gasket, Main Filter			
*	5 87 397 07	Pump, Repair			
*	5 87 150 29	Fuse, 1.6 A Time Delay			

WRS3000

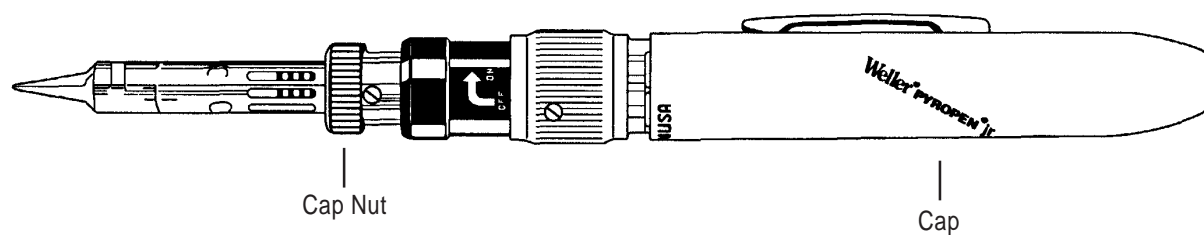
Electronically Controlled Rework System



ITEM NO.	PART NO.	DESCRIPTION	ITEM NO.	PART NO.	DESCRIPTION
*	5 87 117 00	Filter, Main (Air Or Vacuum)			
*	5 13 444 00	Gasket, Main Filter			
*	5 87 397 07	Pump, Repair			
*	5 87 211 12	Fuse, 5.0 A, 120V			

WST2

Pyropen® Jr.

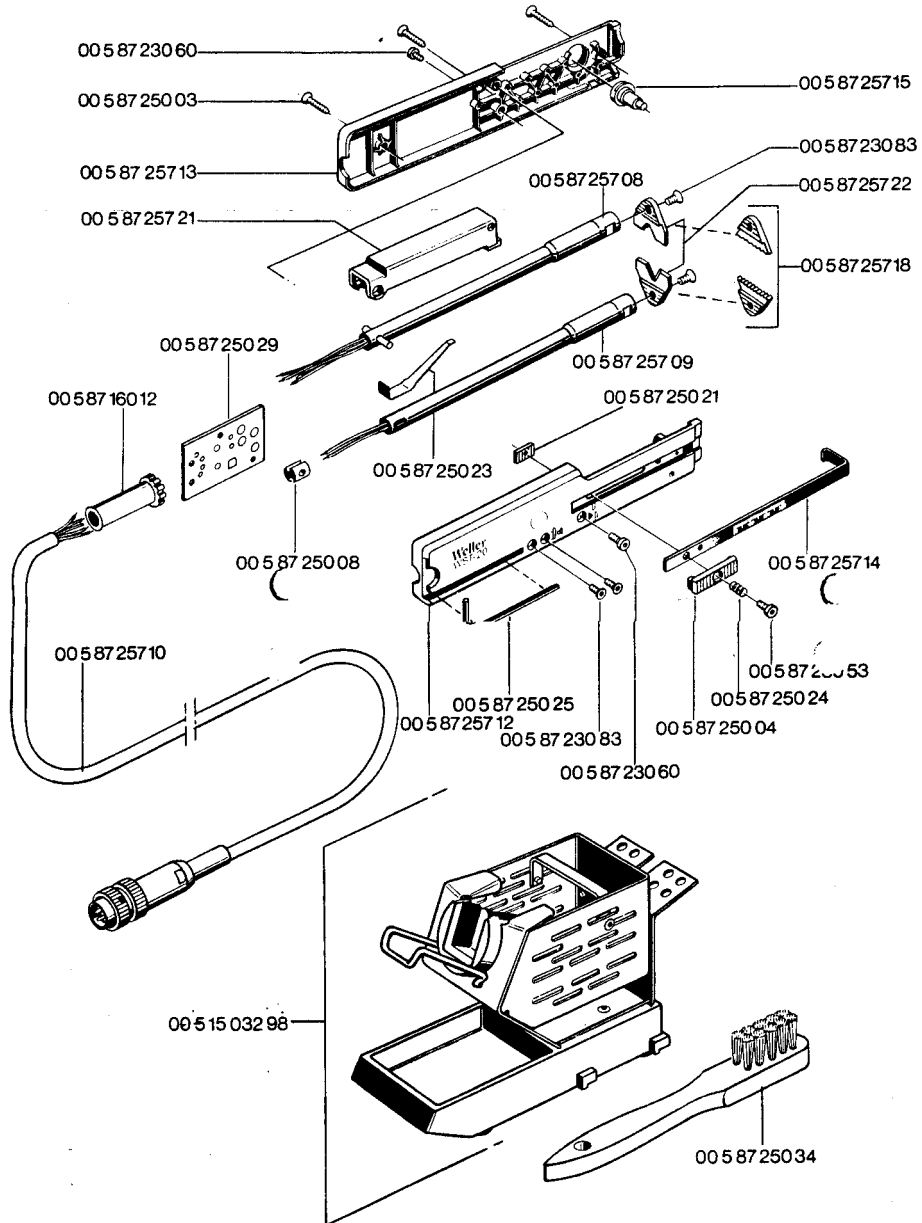


ITEM NO.	PART NO.	DESCRIPTION	ITEM NO.	PART NO.	DESCRIPTION
*	WP71-02	Cap			
*	WP71-04	Burner			
*	WP71-07	Ejector			
*	WP71-14	Cap Nut			
*	WP71-15	Burner			
*	WP71-28	Shutter Spring			
*	WP71-27	Air Shutter			
*	WB1	Butane Refill (70ml)			

* not shown

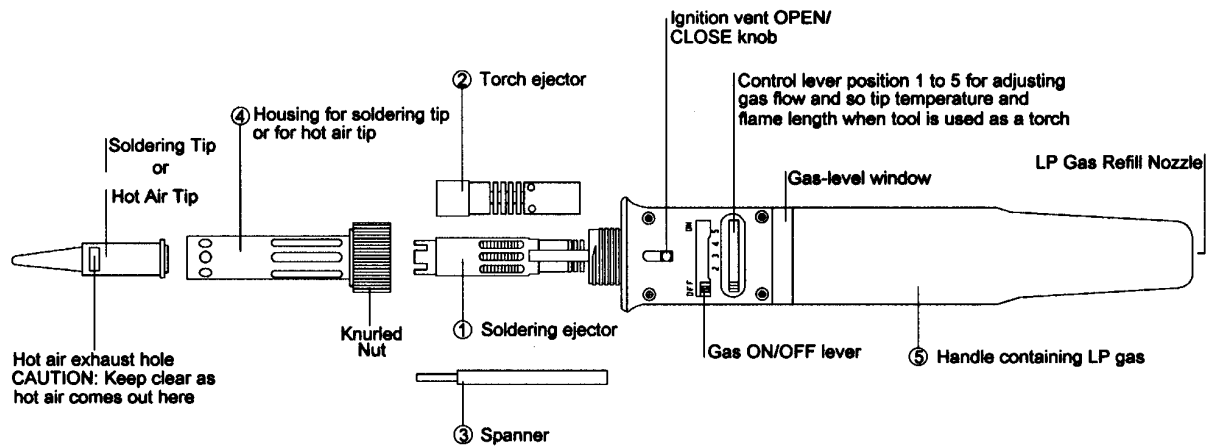
WST20

Thermal Stripper



WSTA3

Pyropen®

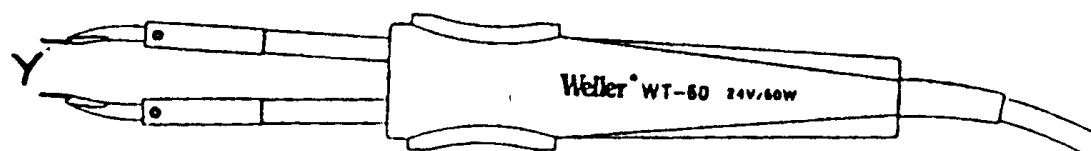
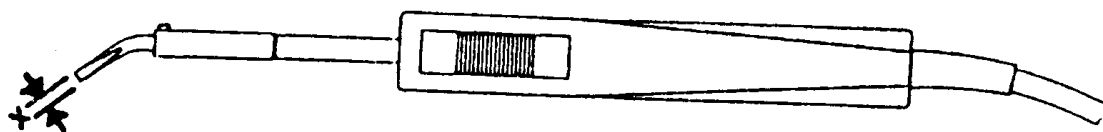


ITEM NO.	PART NO.	DESCRIPTION	ITEM NO.	PART NO.	DESCRIPTION
1	WP70S	Soldering Ejector			
2	WP71T	Torch Ejector			
3	WAS	Accessory Spanner			
4	WP72M	Set of Tip Housings & Cap Screw			
5	WP76HL	Handle Only			
*	WP73TC	Tip Cleaner W/ Metal Box			
*	WP74H	Spring Holder			
*	WP75B	Metal Box for Tool			
*	WB1	Butane Refill (70ml)			

* not shown

WT-50

Thermal Tweezers

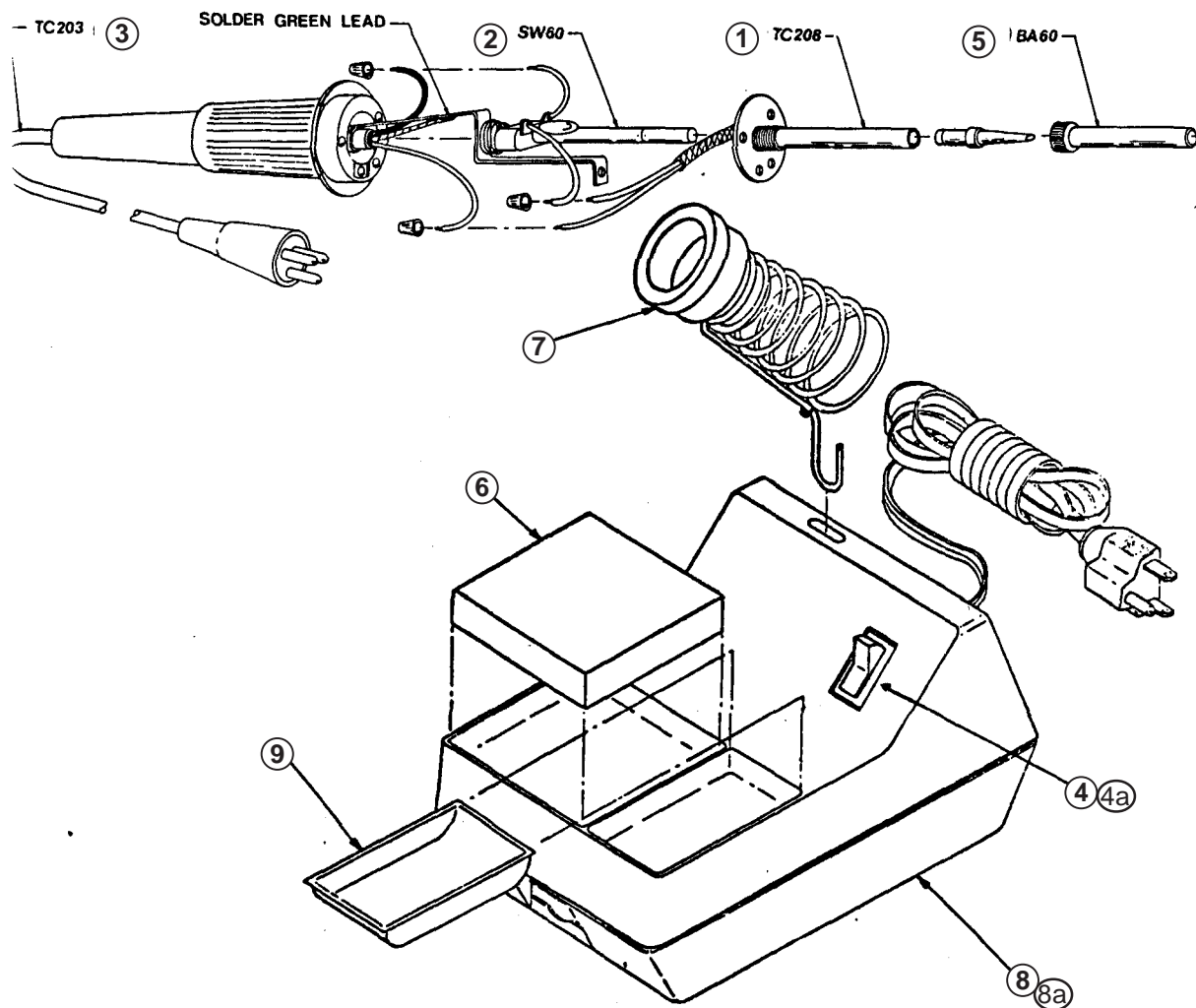


ITEM NO.	PART NO.	DIMENSIONS	DESCRIPTION
*	WT-1	1,0 11	Replacement Tip
*	WT-2	3,0 11	Replacement Tip
*	WT-3	6,0 11	Replacement Tip
*	WT-4	12,5 10	Replacement Tip
*	WT-5	18,5 12	Replacement Tip
*	AK50		Replacement Iron Stand

* not shown

WTCPN

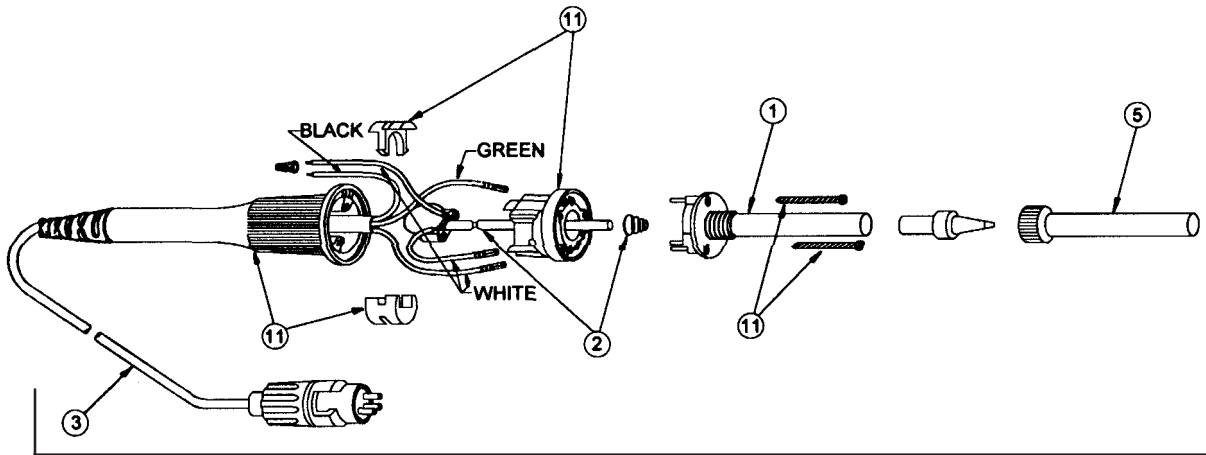
Controlled Output Soldering Station



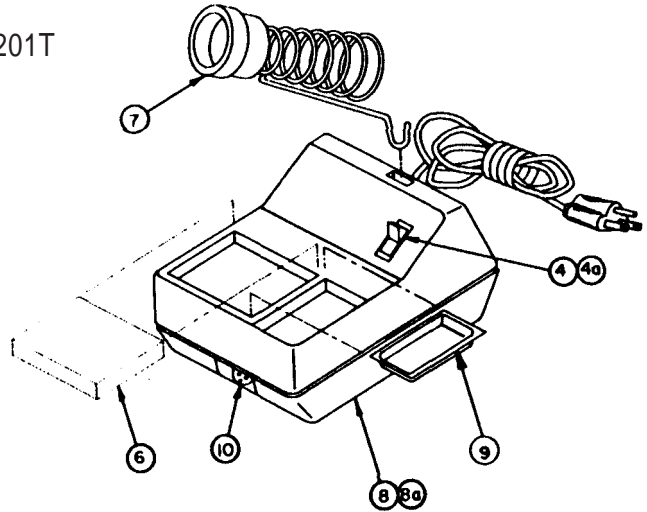
ITEM NO.	PART NO.	DESCRIPTION	ITEM NO.	PART NO.	DESCRIPTION
1	TC208	Heater	8a	TC202D	Power Unit Only (240 v.), includes Sponge and Iron Holder for WTCPN
2	SW60	Switch Assembly	9.	TC206	Tip Tray
3	N/A	Cord Set W/Handle		TC201T	Soldering Pencil, includes BA60 and PTA7 Tip
4	EC219	Switch/ Light Power Unit (WTCPN)	N/S	PL120	Plug/ Receptacle Kit
4a	EC220	Switch/ Light Power Unit (WTCPND)			
5	BA60	Barrel Nut Assembly			
6	TC205	Sponge (10 per package)			
7	TC204	Iron Holder W/ Funnel			
8	TC202	Power Unit Only, Includes Sponge and Iron Holder for WTCPN			

WTCPR / WTCPRD

Controlled Output Soldering Station



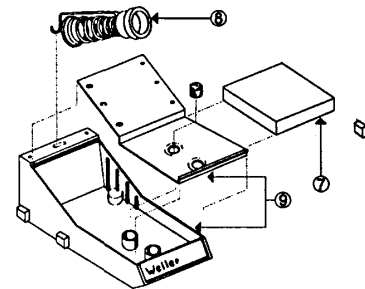
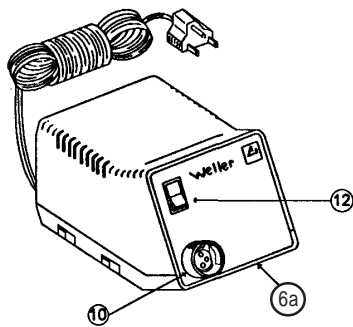
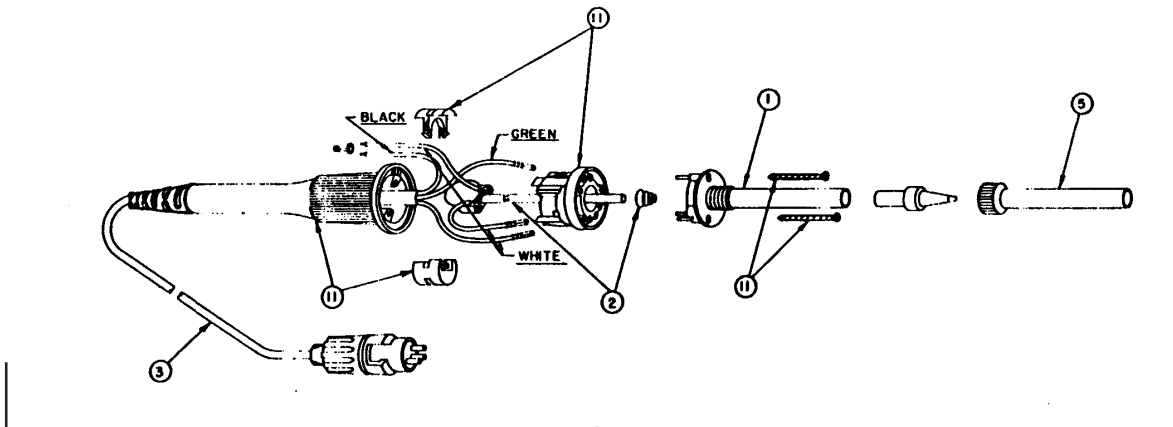
TC201T



ITEM NO.	PART NO.	DESCRIPTION	ITEM NO.	PART NO.	DESCRIPTION
1	EC234	Heater Assembly	9	TC206	Tip Tray
2	SW60	Switch Assembly W/ Spring	10	PL120	Plug/Receptacle Kit
3	TC217	Cordset W/ Plug and Strain Relief	11	EC232	Handle Assembly
4	EC219	Power Switch 120V	12	TC201T	Soldering Pencil W/Tip
4a	EC220	Power Switch 240V			
5	BA60	Barrel Nut Assembly			
6	TC205	Sponge			
7	TC204	Iron Holder W/ Funnel			
8	TC202	Power Unit Only, Includes Sponge & Iron Holder			
8a	TC202D	Power Unit Only, Includes Sponge & Iron Holder			

WTCPS / WTCPSD

Controlled Output Soldering Station

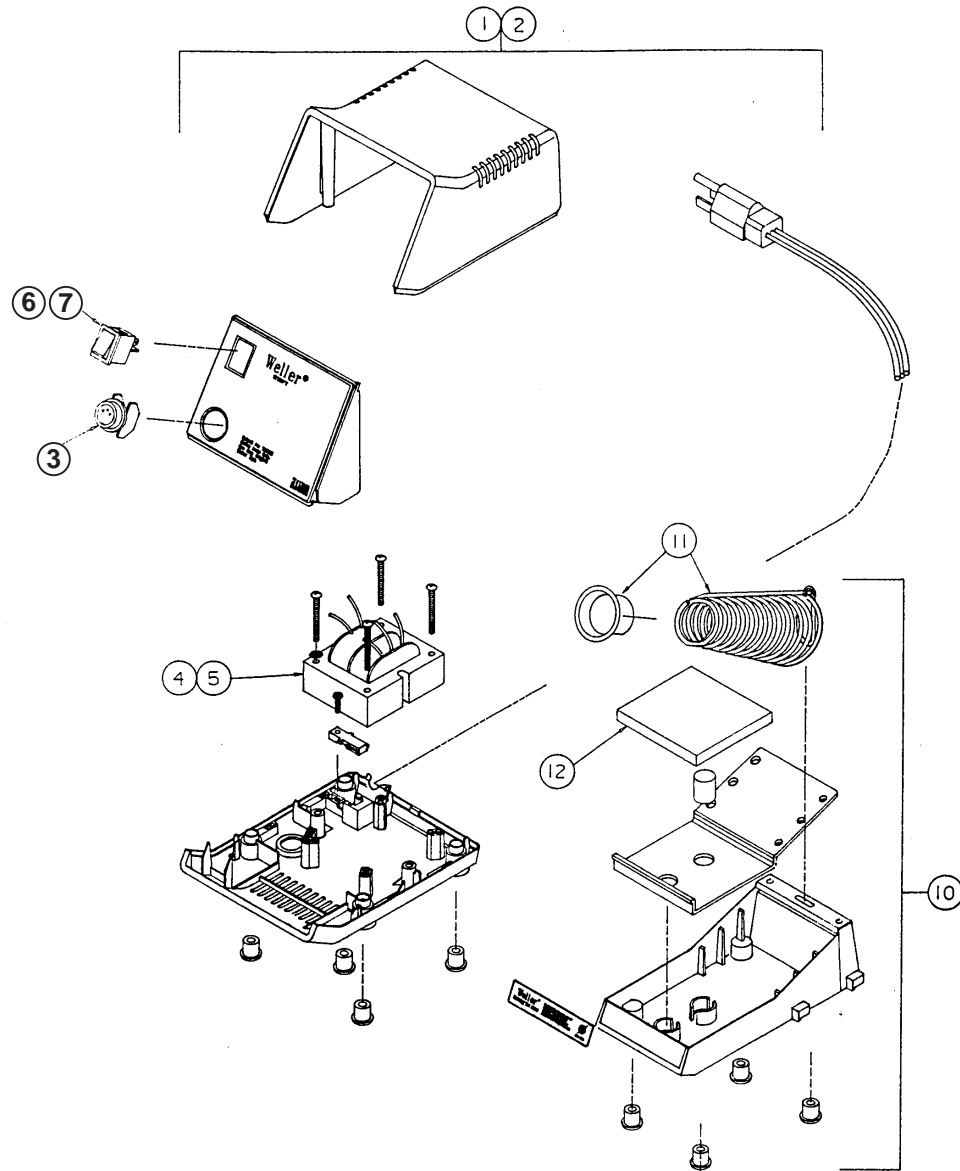


ITEM NO.	PART NO.	DESCRIPTION	ITEM NO.	PART NO.	DESCRIPTION
1	EC234	Heater (Plug-In Type)	10	PL120	Plug/Receptacle Kit
2	SW60	Switch Assembly W/Spring	11	EC232	Handle Assembly
3	TC217	Cordset W/ Plug	12	SW120	Switch/Light Power Unit WTCPS
4	TC201T	Soldering Pencil W/T ip	12a	SW240	Switch/Light Power Unit WTCPSD
5	BA60	Barrel Nut Assembly	*	TR215	Power Transformer 120V
6	PU120T	Power Unit Only WTCPS	*	TR216	Power Transformer 240V
6a	PU240T	Power Unit Only WTCPSD	*	FP1	Fuse
7	TC205	Sponge			
8	TC204	Iron Holder W/ Funnel			
9	PH1201ESD	Iron Stand			

* not shown

WTCPT

Soldering Station

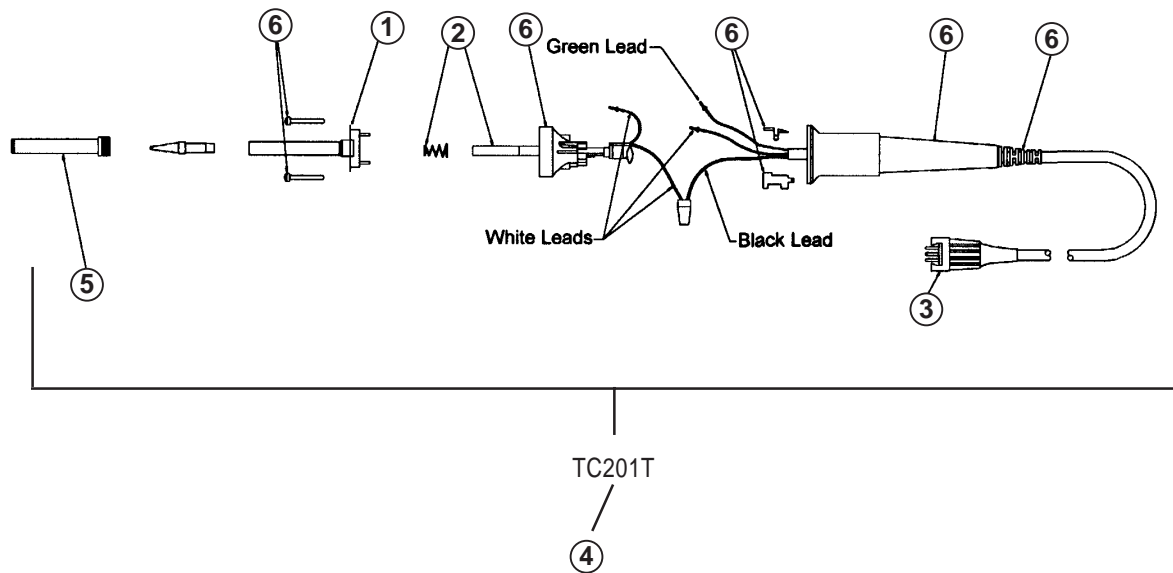


ITEM NO.	PART NO.	DESCRIPTION	ITEM NO.	PART NO.	DESCRIPTION
1	PU120T	Power Unit 120 VAC W/O Iron & Stand	11	TC204	Spring & Funnel Assembly (EC1201A Iron Ass'y)
2	PU240T	Power Unit 240 VAC W/O Iron & Stand	12	TC205	Sponge
3	PL120	Plug/Receptacle Kit			
4	TR215	Transformer 120 VAC			
5	TR216	Transformer 240 VAC			
6	SW120	Switch 120 VAC			
7	SW240	Switch 240 VAC			
8	FP3	Fuse 120 VAC 1/4" D. x 1 1/4" L. 0.6A.			
9	FP	Fuse 240 VAC 5mm Dia. x 20 mm. LG. 0.315A.			
10	PH1201ESD	Iron Stand Assembly (EC1201A Iron)			

WTCPT

Controlled Output Soldering Station (cont.)

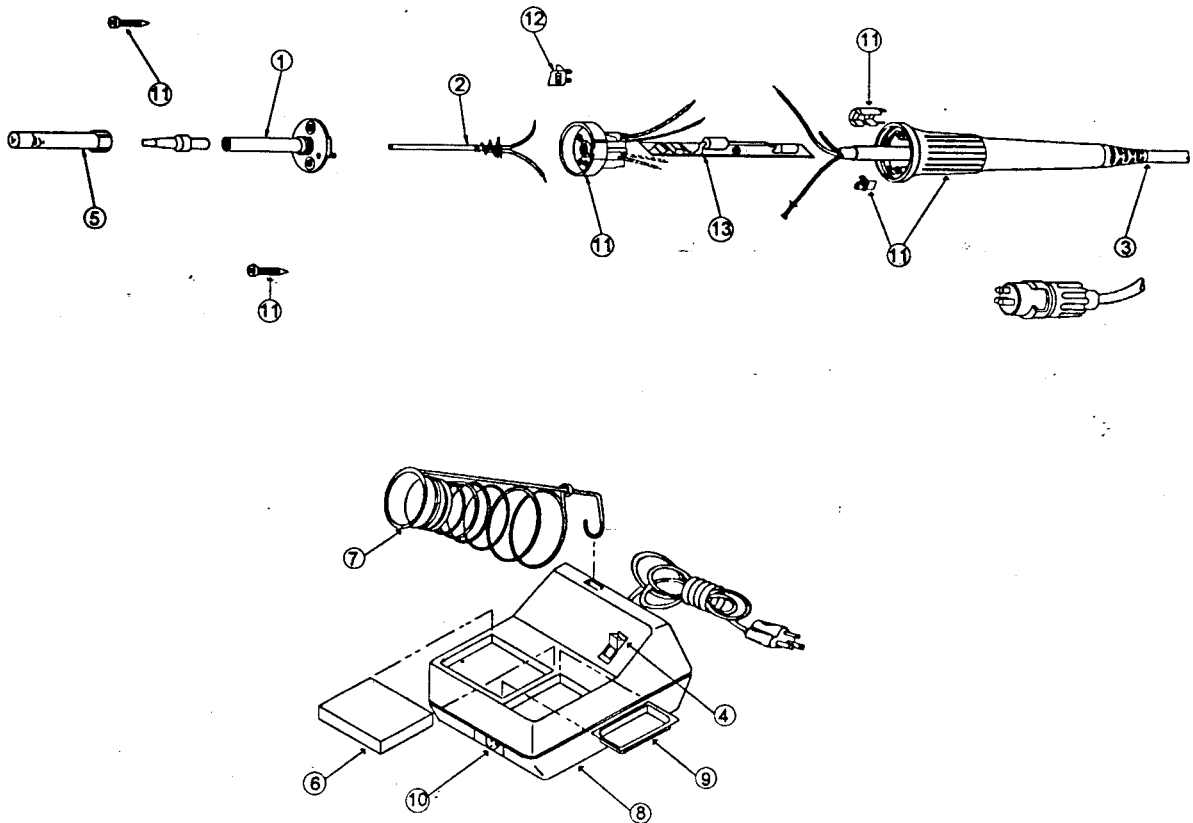
Soldering Station



ITEM NO.	PART NO.	DESCRIPTION	ITEM NO.	PART NO.	DESCRIPTION
1	EC234	Heater Assembly			
2	SW60	Switch Assembly W/ Spring			
3	TC217	Cordset W/ Plug			
4	TC201T	Soldering Iron with PTA7 Tip			
5	BA60	Barrel Nut Assembly			
6	EC282	Handle Assembly			

WTLE

Thermalock® Precision Soldering Tools

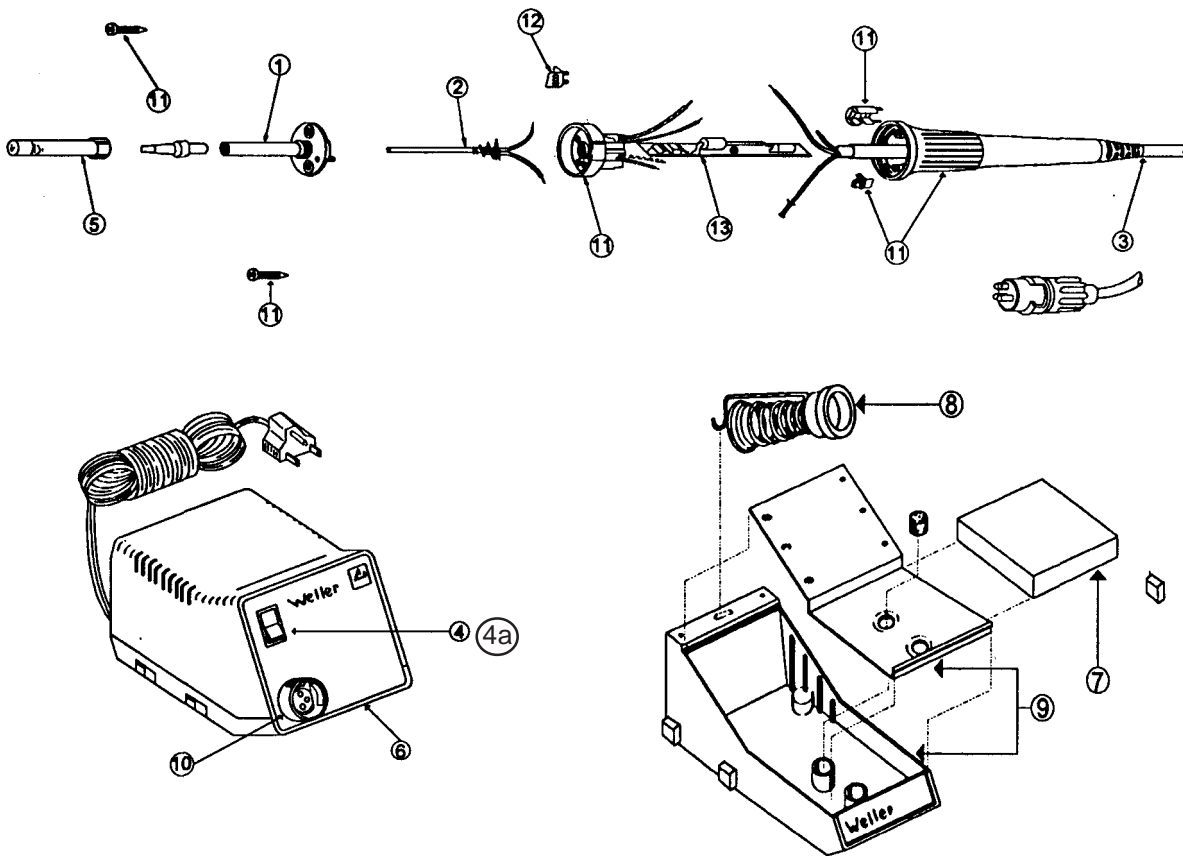


TC202

ITEM NO.	PART NO.	DESCRIPTION	ITEM NO.	PART NO.	DESCRIPTION
1	TL103	Heater Assembly, 24V	11	TL101	Handle Assembly, 24V
2	TL102	Sensor Assembly 24V	12	TLA7	Key 700°F Category A Tips
3	TL104	Cord Assembly, 24V	13	TL100	Control Board, 24V
4	EC219	Switch W/ Light			
5	BA60	Barrel and Nut Assembly			
6	TC205	Sponge			
7	TC204	Tool Holder			
8	TC202	Power Unit, Complete, 120V			
9	TC206	Tip Tray			
10	PL120	Plug/ Receptacle Kit			

WTLE / ESD

Thermolock® Precision Soldering Tools

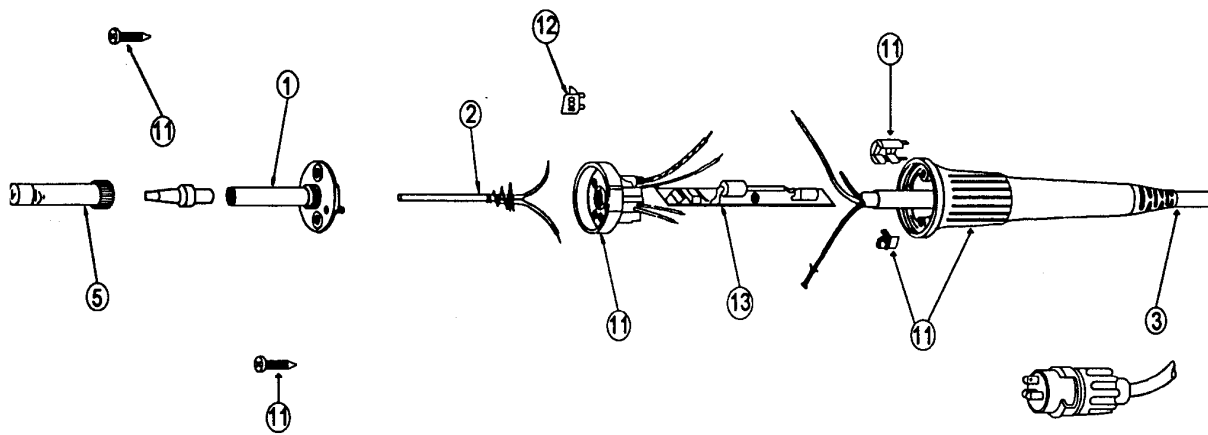


ITEM NO.	PART NO.	DESCRIPTION	ITEM NO.	PART NO.	DESCRIPTION
1	TL103	Heater Assembly, 24V	10	PL120	Plug/ Receptacle Kit
2	TL102	Sensor Assembly, 24V	11	TL101	Handle Assembly, 24V
3	TL104	Cord Assembly, 24V	12	TLA7	Key 700 F Category A Tips
4	SW120	Switch W/ Light 120V	13	TL100	Control Board, 24V
4a	SW240	Switch W/ Light 240V	*	SHA1	Cushion Grip Sleeve for Iron Handle
5	BA60	Barrel and Nut Assembly	*	TR215	Power Transformer, 120V
6	PU120L	Power Unit, Complete 120V	*	TR216	Power Transformer, 240V
7	TC205	Sponge	*	FP1	Fuse
8	TC204	Tool Holder			
9	PH1201ESD	Iron Stand W/ Tool Holder			

* Not Shown

WTL24

Thermolock® Precision Soldering Tools

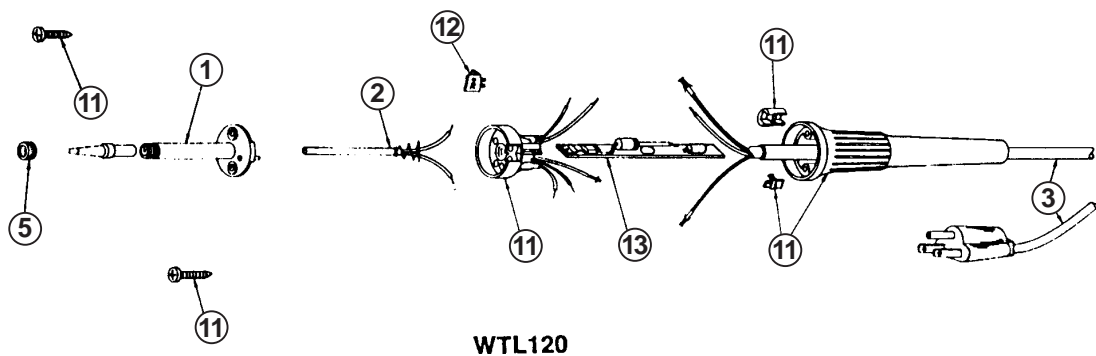


ITEM NO.	PART NO.	DESCRIPTION	ITEM NO.	PART NO.	DESCRIPTION
1	TL103	Heater Assembly, 24V			
2	TL102	Sensor Assembly, 24V			
3	TL104	Cord Assembly, 24V			
5	BA60	Barrel and Nut Assembly			
11	TL101	Handle Assembly, 24V			
12	TLA7	Key 700 F Category A Tips			
13	TL100	Control Board, 24V			
*	SHA1	Cushion Grip Sleeve for Iron Handle			

* Not Shown

WTL 120

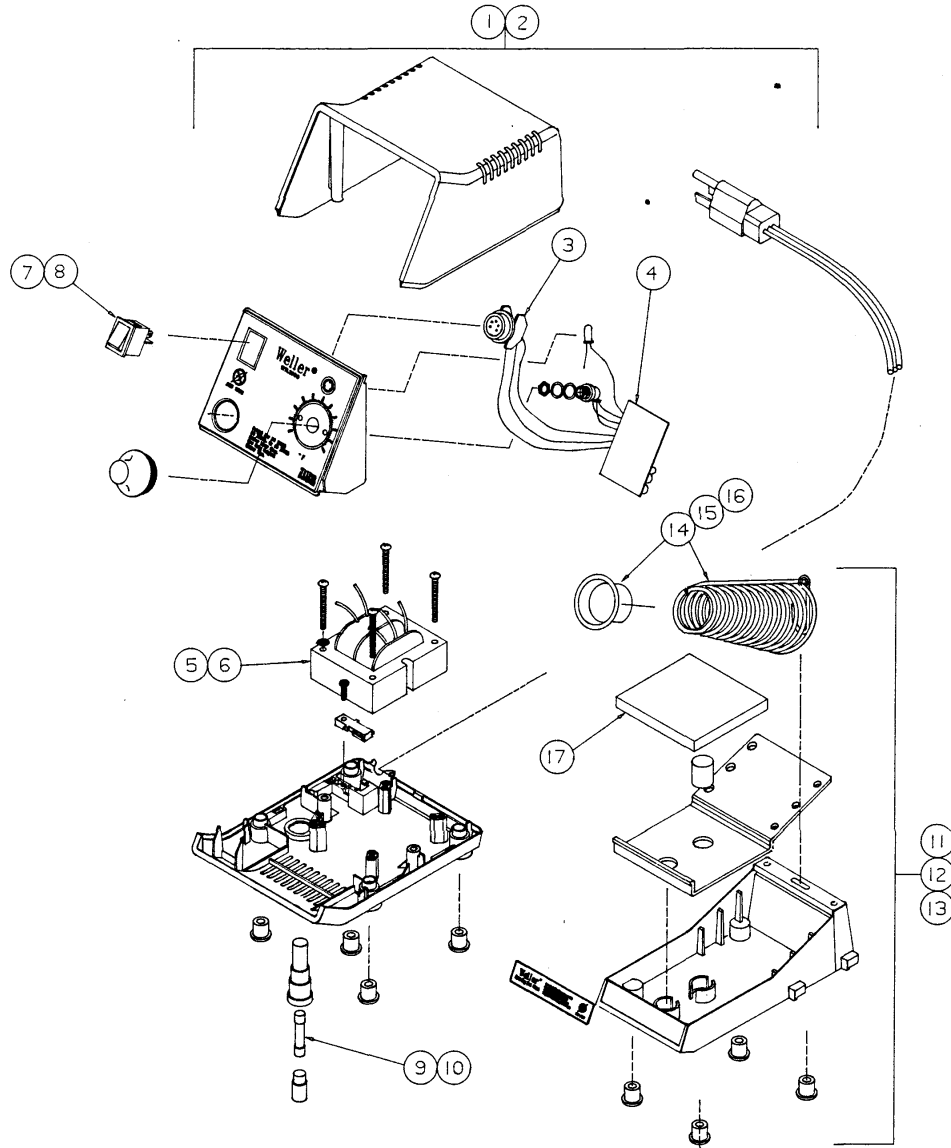
Thermolock® Precision Soldering Tools



ITEM NO.	PART NO.	DESCRIPTION	ITEM NO.	PART NO.	DESCRIPTION
1	TL123	Heater Assembly, 120V			
2	TL122	Sensor Assembly, 120V			
3	TL124	Cord Assembly, 120V			
5	BA120	Tip Nut			
11	TL121	Handle Assembly, 120V			
12	TLA7	Key 700 F Category A Tips			
13	TL120	Control Board, 120V			

WTL1000

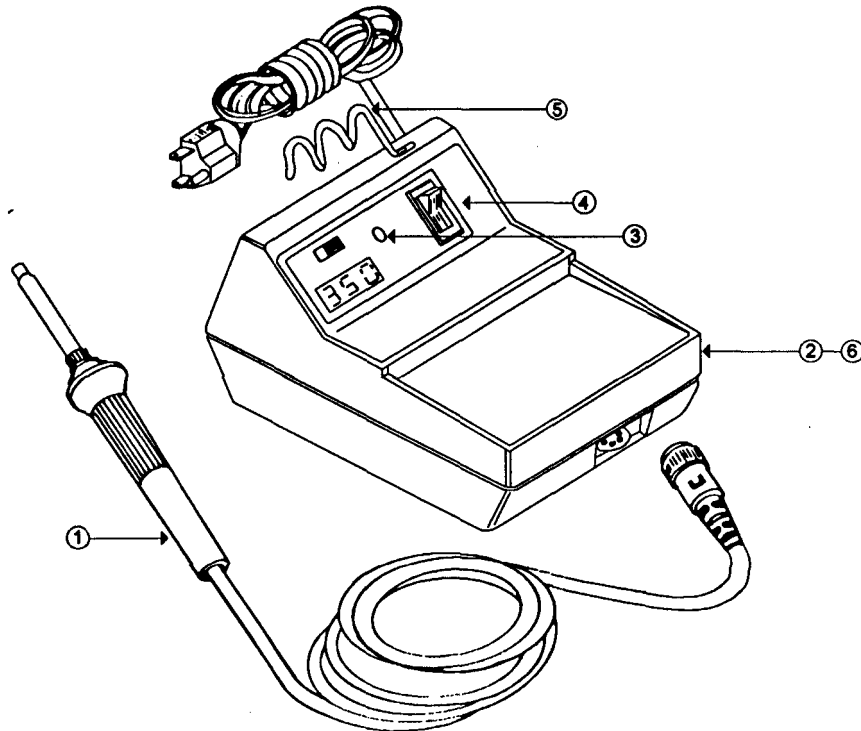
Thermolock Electronic Soldering Station



ITEM NO.	PART NO.	DESCRIPTION	ITEM NO.	PART NO.	DESCRIPTION
1	WTL1000-0	Power Unit F 120 VAC W/O Iron & Stand	11	PH1201ESD	Iron Stand Assembly (EC1201A Iron)
2	WTL1000-0D	Power Unit C 240 VAC W/O Iron & Stand	12	PH1301ESD	Iron Stand Assembly (EC1302A Iron)
3	EC213	Receptacle Kit	13	PH1503	Iron Stand Assembly (EC1503A Iron)
4	TL125	Control Board	14	TC204	Spring & Funnel Assembly (EC1201A Iron)
5	TR215	Transformer 120 VAC	15	IHF225EC	Spring & Funnel Assembly (EC1302A Iron)
6	TR216	Transformer 240 VAC	16	EC254	Spring & Funnel Assembly (EC1503A Iron)
7	SW120	Switch 120 VAC	17	TC205	Sponge
8	SW240	Switch 240 VAC			
9	FP3	Fuse 0.6A 120 VAC 1/4"D. x 1/4L.			
10	FP3D	Fuse 0.315A 240 VAC 5mm Dia. x 20 mm Lg.			

WTT1000 / WTT1000D

Zero Load Temperature Monitor

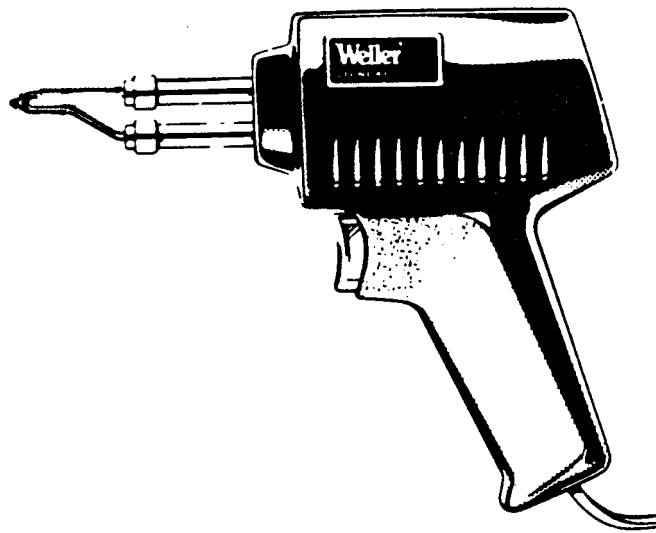


ITEM NO.	PART NO.	DESCRIPTION	ITEM NO.	PART NO.	DESCRIPTION
1	WTT1001	Probe Assembly, Calibrated			
2	WT1002	Power Unit, Calibrated (120V)			
3	WTT502	Heat Flow Indicator			
4	EC219	Power Switch			
5	WTT504	Probe Holder			
6	WTT1002D	PowerUnit, Calibrated (240V)			
*	WTT500	Control Board, Calibrated			
*	WTT501	Display Board			
*	EC213	Plug/Receptacle			

* Not Shown

7200

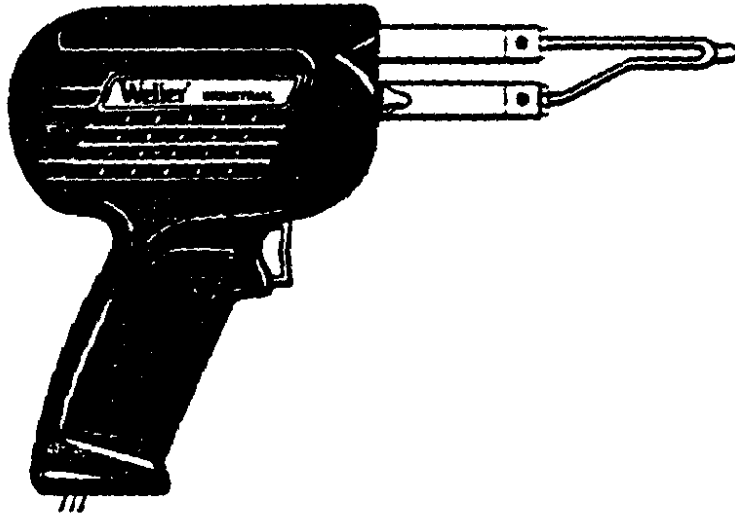
Standard Soldering Gun



ITEM NO.	PART NO.	DESCRIPTION	ITEM NO.	PART NO.	DESCRIPTION
	7235	Tip Only - 2 Per Card			
	4206	Flux Brush			
	7323	Switch for Single Heat Models			

8200

Universal Soldering Gun

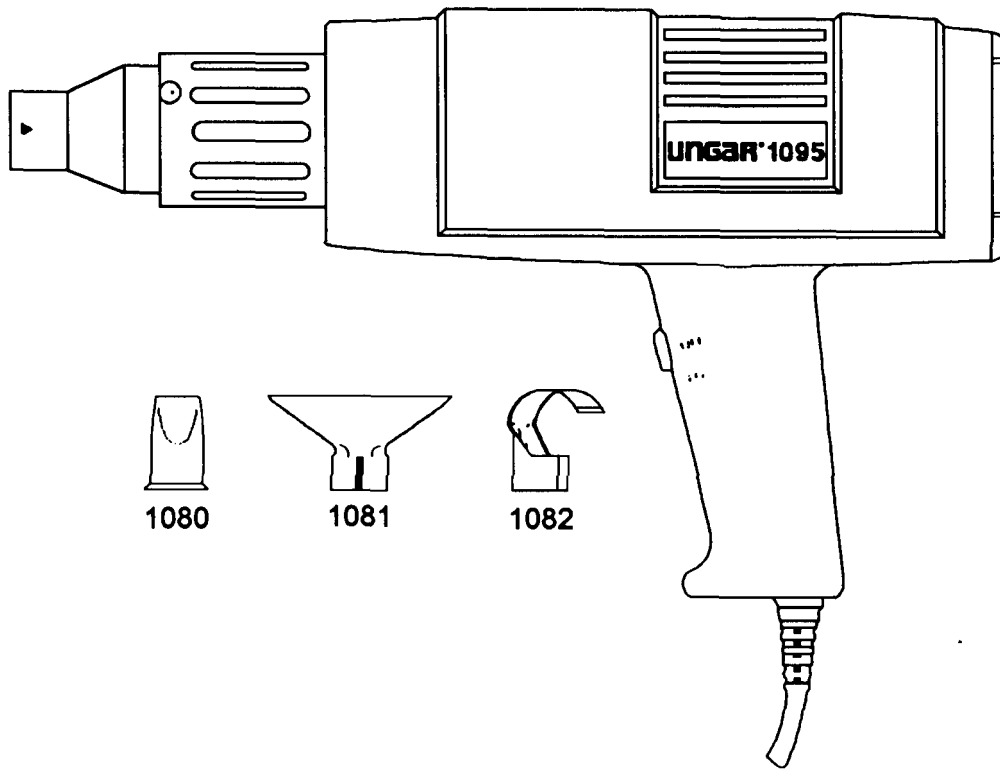


Part #	Description	Package Contents
7135	Soldering Tips (2 per package)	
6150	Cutting Tips (2 per package)	
8125	Iron Plated Tip (2 per package)	
C8200	Collar/Screw 8200	

Part #	Description	Package Contents
6160	Smoothing Tips (2 per package)	
7194	Light Bulb	
7324	Switch	
8200-RH	Universal Housing (Right & Left Side)	

1095

Heat Gun

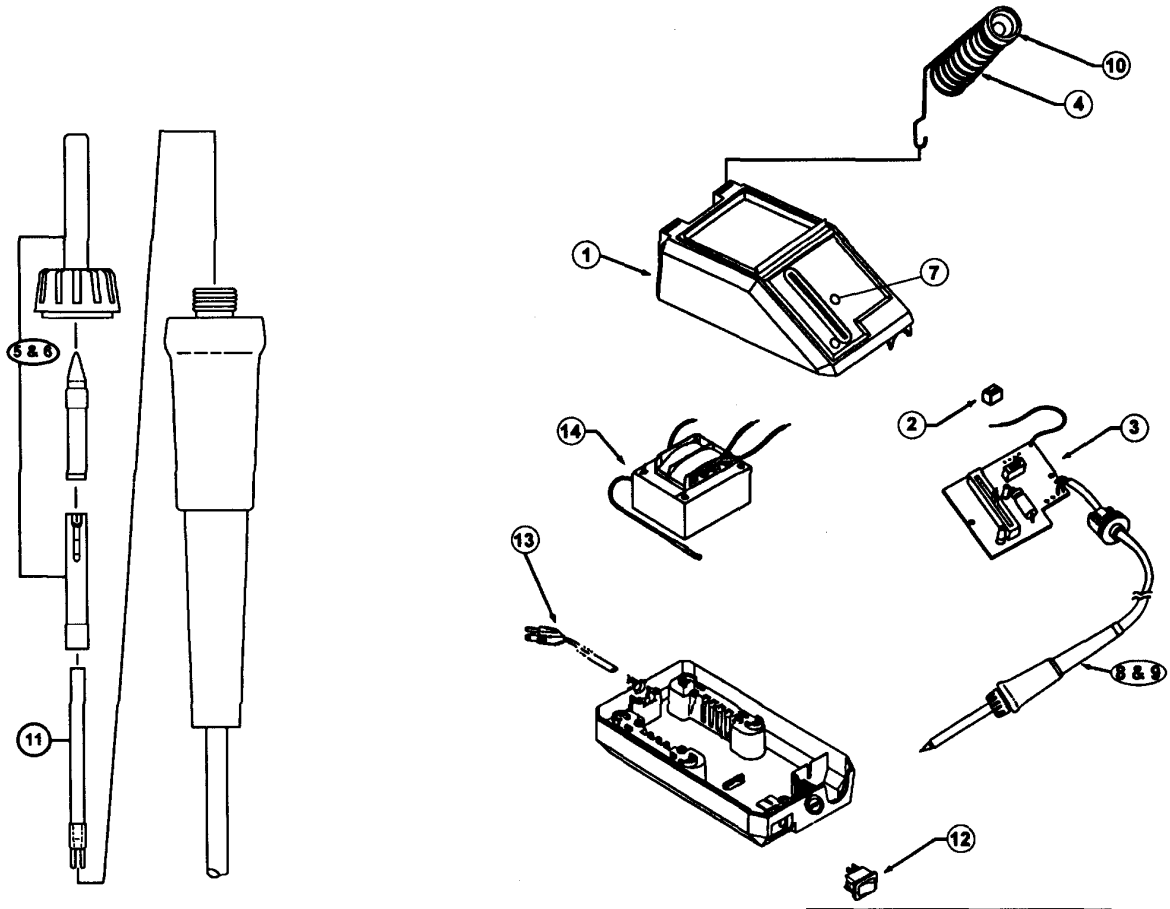


ITEM NO.	PART NO.	DESCRIPTION	ITEM NO.	PART NO.	DESCRIPTION
	1080	Reducer for Concentrating Heat			
	1081	Scraper for Paint Stripping			
	1082	Reflector for Heat Shrink Tubing/ Caps			
	1085	Baffle Kit			
	R296	Left & Right Enclosure			
*	6959	Adaptor for 6966C Baffles			

* Not Shown

2110S/T

Electronic Soldering Systems

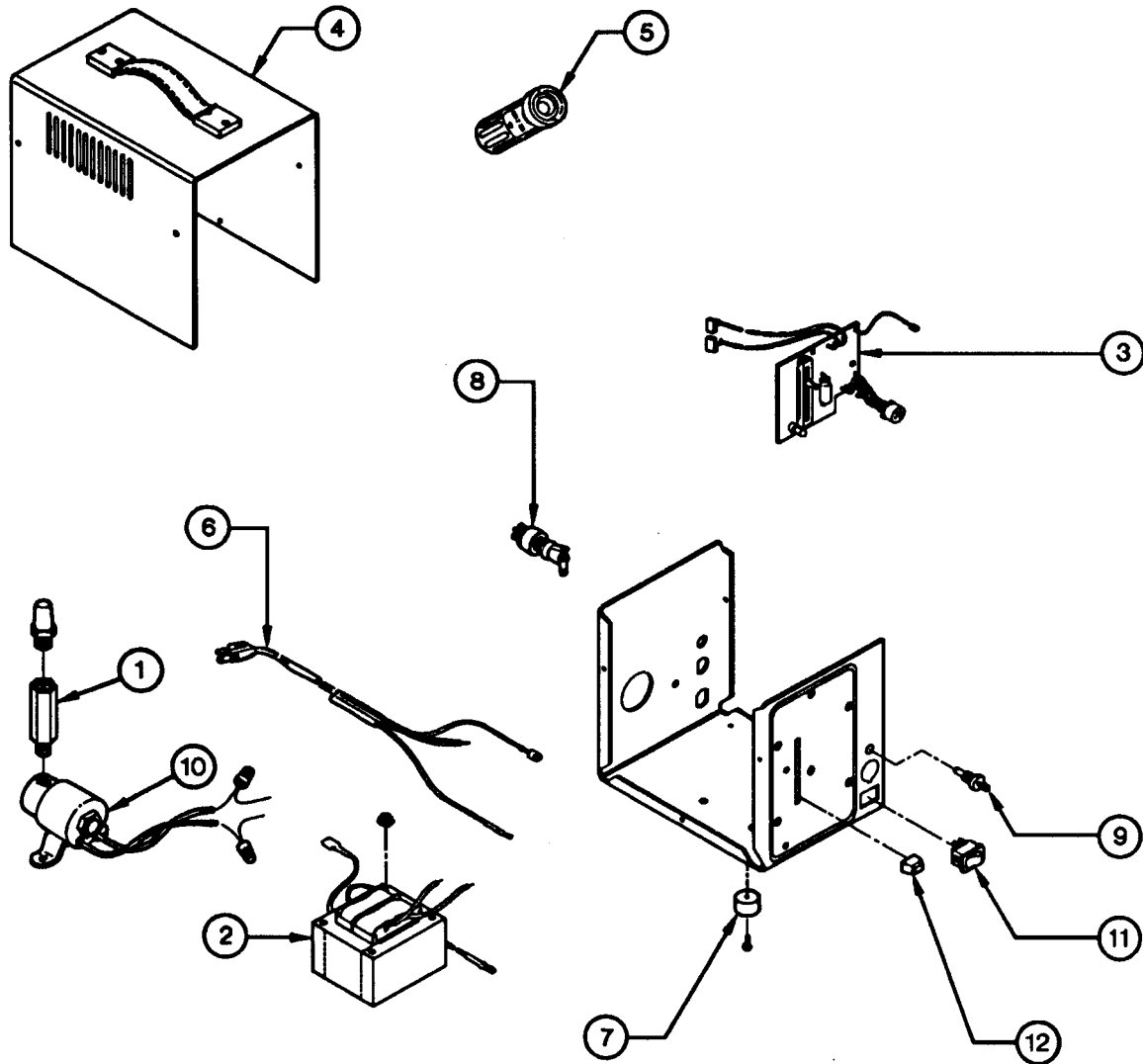


ITEM NO.	PART NO.	DESCRIPTION	ITEM NO.	PART NO.	DESCRIPTION
1	2101A	Cover Assembly/ Label Tray	11	9908	Ceramic Heater
2	9954	Temperature Controller Knob	12	9950	Rocker Switch
3	2103	PC Board Assembly	13	9951	Power Cord
4	2104	Iron Holder and Mouthpiece	14	9952	Transformer Assembly
5	2106T	Tip Ret for Thermal Thrust Tip		9906	Fuse, 2 Amp (5/Pkg)
6	2108S	Tip Ret For Standard 9000 Series Tip		2105	Grounding Spring For 2110*
7	2109	Calibration Port Plug		2106	Tip Ret For Thermal Thrust Tip For 2110*
8	2111AT	Iron Assembly For 2110T		2107	Cap Ferrule For 2110*
9	2111AS	Iron Assembly For 2110S		2108	Tip Ret For Standard Series 9000 Tip For 2110*
10	2114	Mouthpiece		2111AS	Iron Assembly For 2110*

* Not Used On 2110S or 2110T

2024

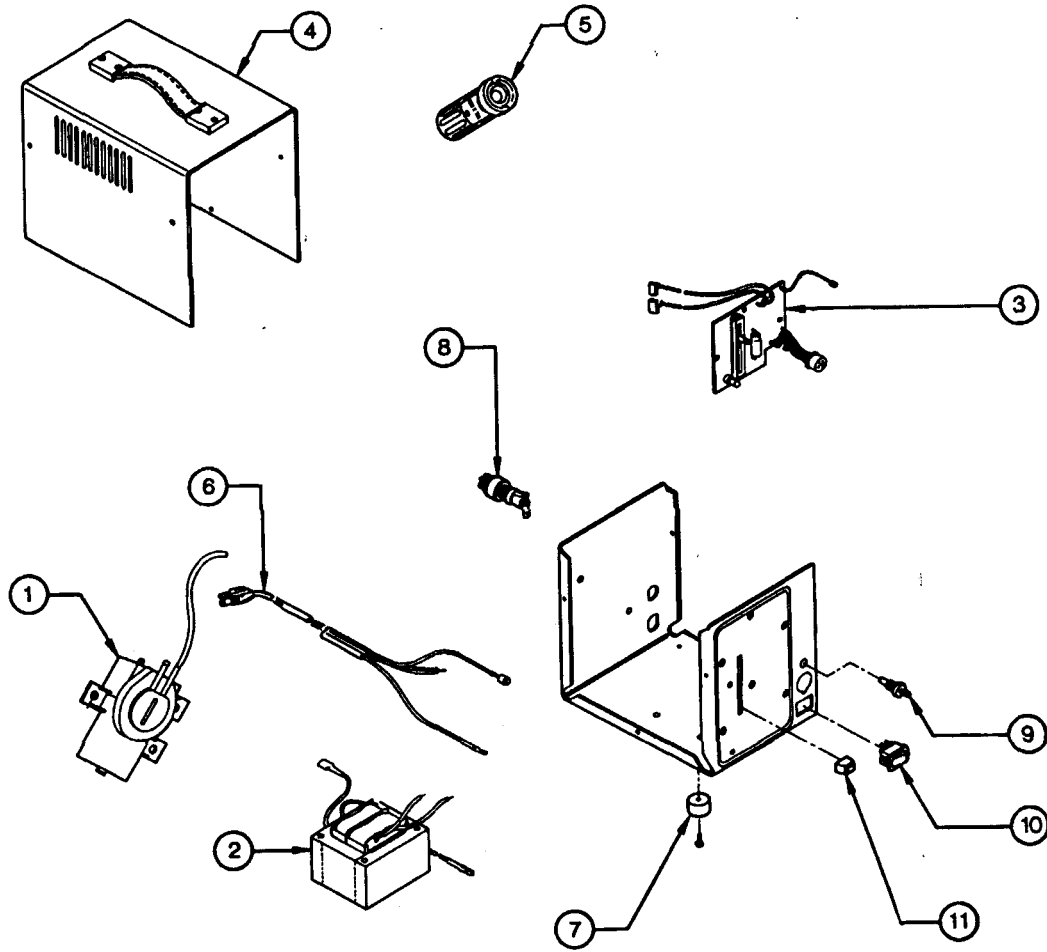
Service Center



ITEM NO.	PART NO.	DESCRIPTION	ITEM NO.	PART NO.	DESCRIPTION
1	2014	Transducer		9902	Temperature Lock (not shown)
2	4356	Transformer Assembly		9903	Handle Switch Lock (not shown)
3	4357	PCB Assembly (Desoldering)	11	9950	Unlighted Rocker Switch
4	4358	Cover Assembly W/ Iron Holder	12	9954	Knobs for Slide Control
5	4359	Iron Holder			
6	4360	Power Cord			
7	4361	Rubber Feet (4)			
8	4362	Fuse and Holder 3 Amp			
9	4363	Bulkhead Fitting			
10	4364	Solenoid Valve W/ Elbow			

4024

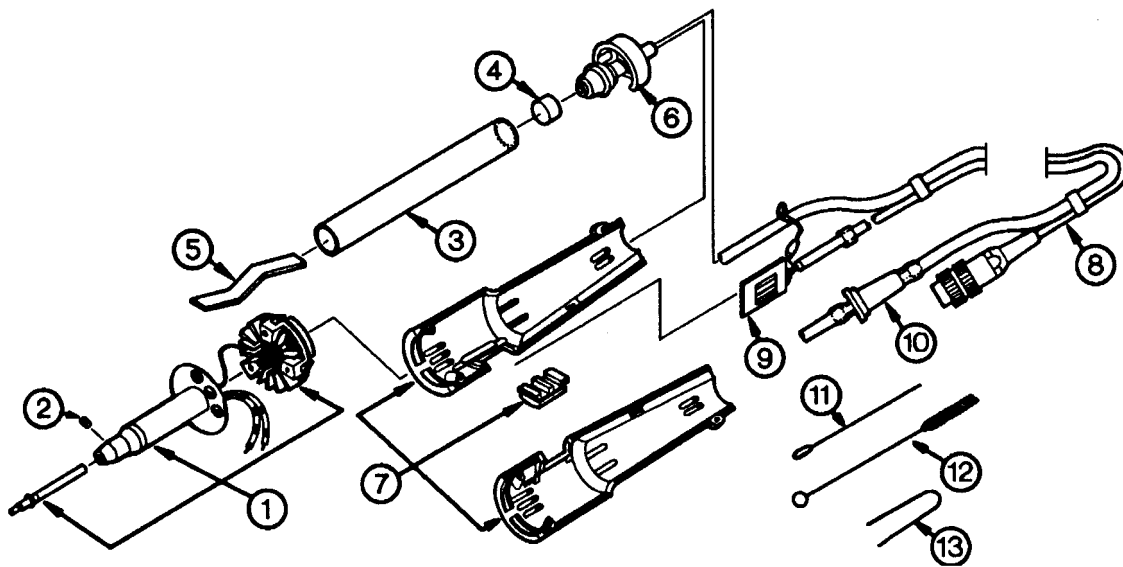
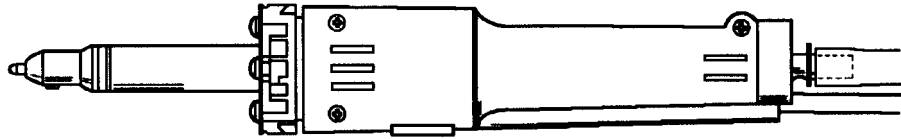
Service Center



ITEM NO.	PART NO.	DESCRIPTION	ITEM NO.	PART NO.	DESCRIPTION
1	4355	Pump Assembly		9903	Handle Switch Lock (not shown)
2	4356	Transformer Assembly	10	9950	Unlighted Rocker Switch
3	4357	PCB Assembly (Desoldering)	11	9954	Knobs for Slide Control
4	4358	Cover Assembly W/ Iron Holder		2002	Cleaning Tool
5	4359	Iron Holder			
6	4360	Power Cord			
7	4361	Rubber Feet (4)			
8	4362	Fuse and Holder 3 Amp			
9	4363	Bulkhead Fitting			
	9902	Temperature Lock (not shown)			

4088AS

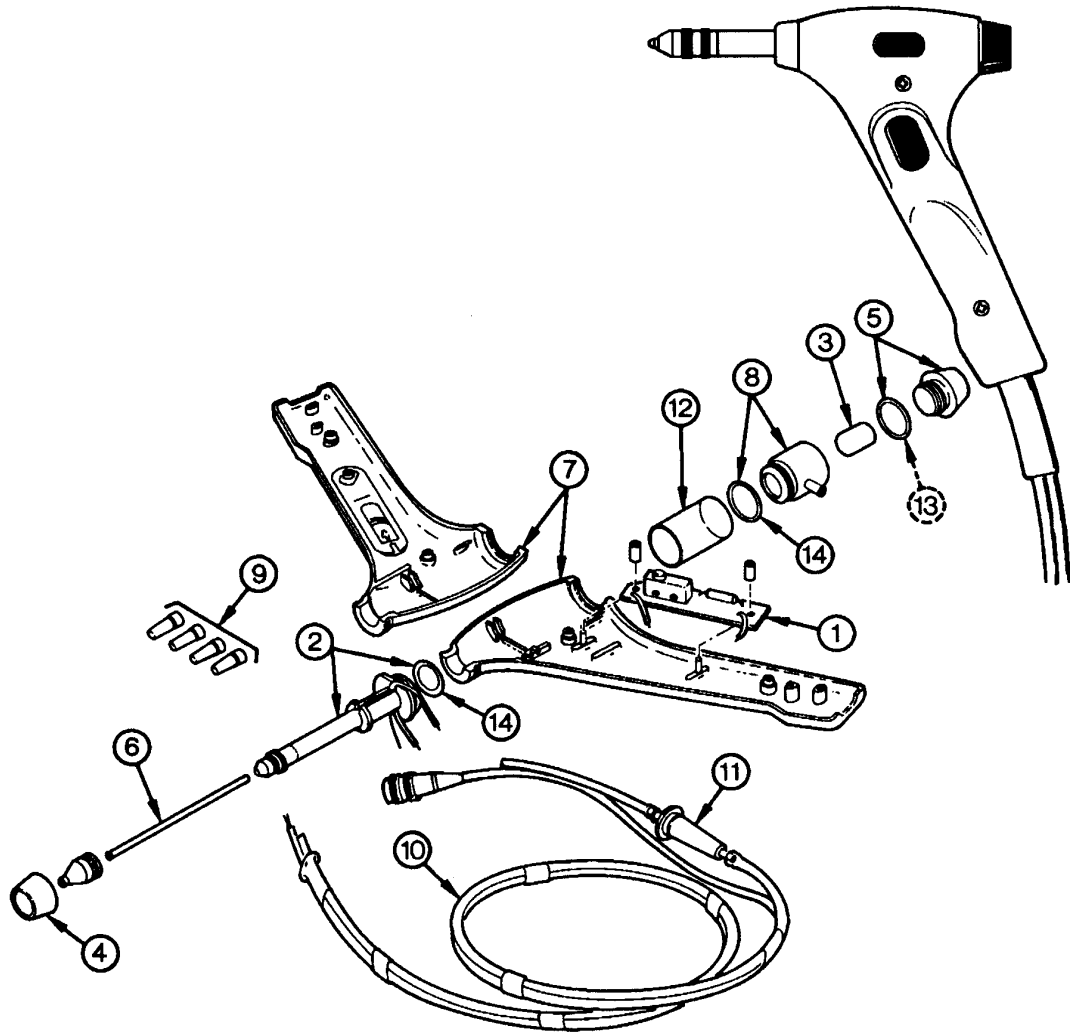
Desoldering Handle



ITEM NO.	PART NO.	DESCRIPTION	ITEM NO.	PART NO.	DESCRIPTION
1	4080	Heater Assembly with Heat Shield	11	4091	Stainless Steel Wire Brush
2	4081	Set Screw (10 pack)	12	4092	Nylon Bristle Brush
3	4082	Glass Solder Chamber	13	4093	Tip Insertion Tool
4	4083	Felt Filter (10 pack)			
5	4084	Solder Filter Baffle			
6	4085	End Cap with Rear Seal			
7	4086AS	Handle Halves W/ Switch Actuator			
8	4087	Handle Cordset/ Vacuum Tube Assy.			
9	4089	Switch & Circuit Board Assy.			
10	2047	Secondary Filter			

4098AS

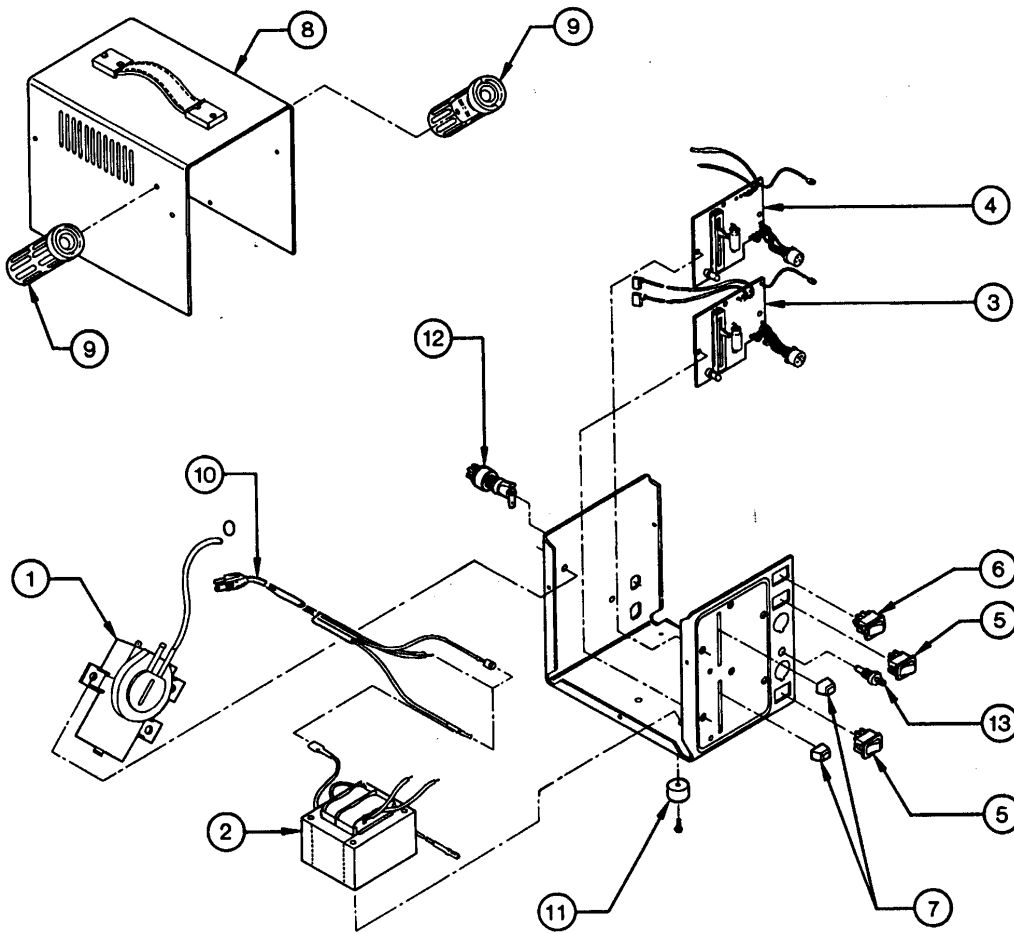
Desoldering Handle



ITEM NO.	PART NO.	DESCRIPTION	ITEM NO.	PART NO.	DESCRIPTION
1	4350	Handle Switch & Circuit Board Assy.	11	2047	Secondary Filter
2	4351	Heater Assembly W/ O-Ring	12	2035	Glass Solder Chamber
3	2039	Handle Filter (10 pack)	13	2049	End Cap O-Ring (3 pack)
4	2040	Handle Ferrule	14	2036	O-Rings (6 pack)
5	2041	End Cap W/ O-Ring			
6	2042	Solder Delivery Tube			
7	4824AS	Handle Halves W/ Switch Actuator & Screws			
8	2044	Vacuum Chamber Adapter W/ O-Ring			
9	2045	Wire Nuts (4 pack)			
10	4353	Handle Cordset/ Vacuum Tube Assy.			

4624

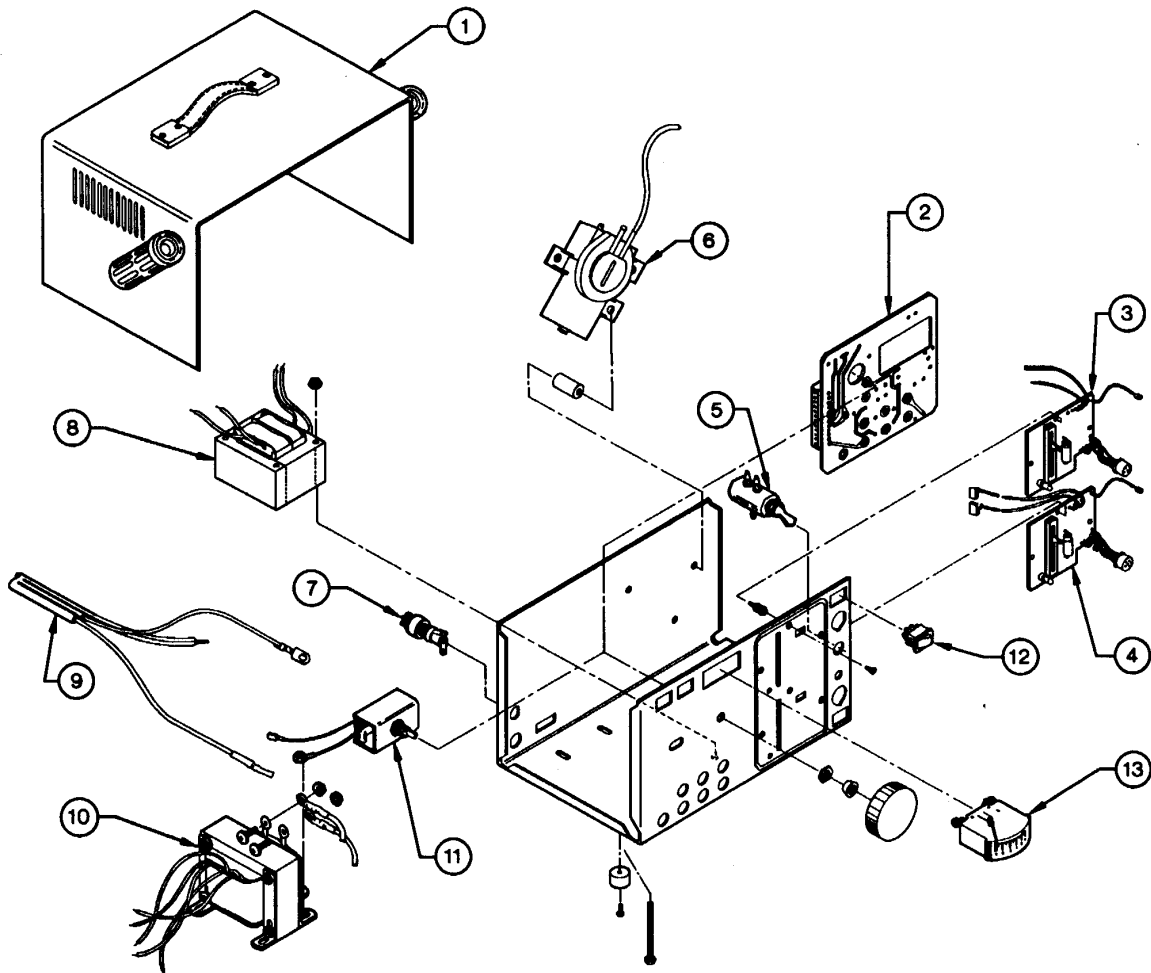
Dual Electronic Soldering System



ITEM NO.	PART NO.	DESCRIPTION	ITEM NO.	PART NO.	DESCRIPTION
1	4355	Pump Assembly	11	4361	Rubber Feet (4)
2	4356	Transformer Assembly	12	4362	Fuse and Holder 3 Amp
3	4357	PCB Assembly (Desoldering)	13	4363	Bulkhead Fitting
4	9955AS	PCB Assembly (Soldering)			
5	9950	Unlighted Rocker Switch			
6	4365	Lighted Rocker Switch			
7	9954	Knobs for Slide Control			
8	4354	Cover Assembly W/ Iron Holders			
9	4359	Iron Holder			
10	4360	Power Cord			

4924

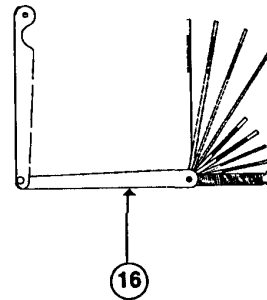
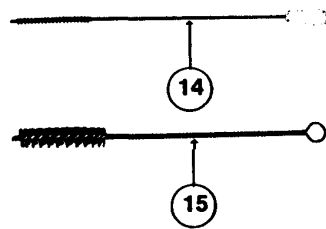
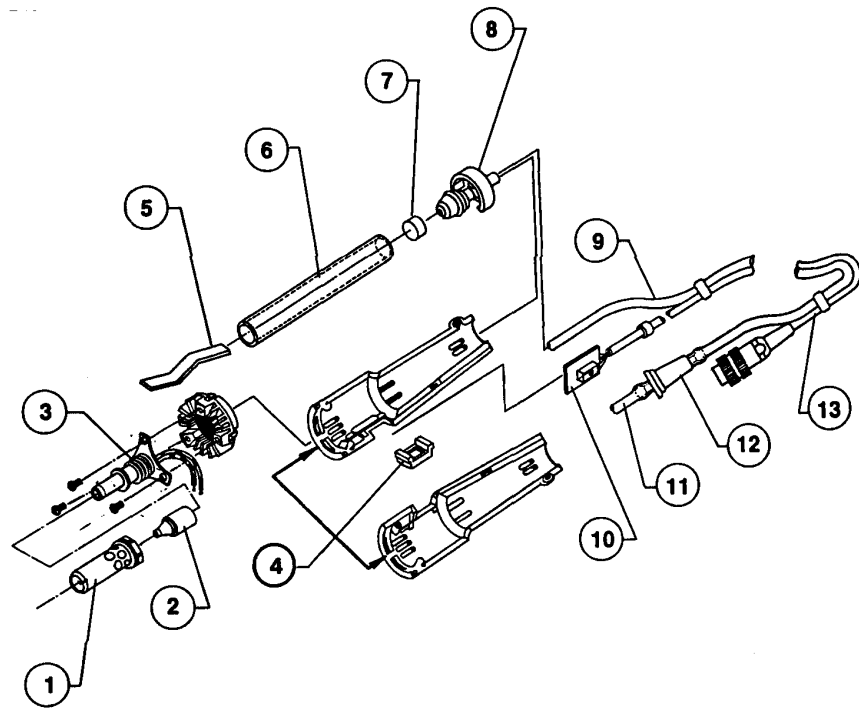
Service Center



ITEM NO.	PART NO.	DESCRIPTION	ITEM NO.	PART NO.	DESCRIPTION
1	4366	Cover Assembly W/ Iron Holders	11	4370	Regulated Power Supply Variable Control
2	4368	PCB Assy. (Regulated Power Supply)	12	4365	Lighted Rocker Switch
3	9955AS	PCB Assembly (Soldering)	13	4371	End Cap O-Ring (3 pack)
4	4357	PCB Assembly (Desoldering)	14	2036	Power Supply Meter
5	4367	Air/ Vacuum Switch			
6	4355	Pump Assembly			
7	4372	Fuse and Holder 5 Amp			
8	4356	Transformer Assy. Soldering/ Desoldering			
9	4360	Power Cord			
10	4369	Transformer Assy. (Regulated Power Supply)			

5088AS

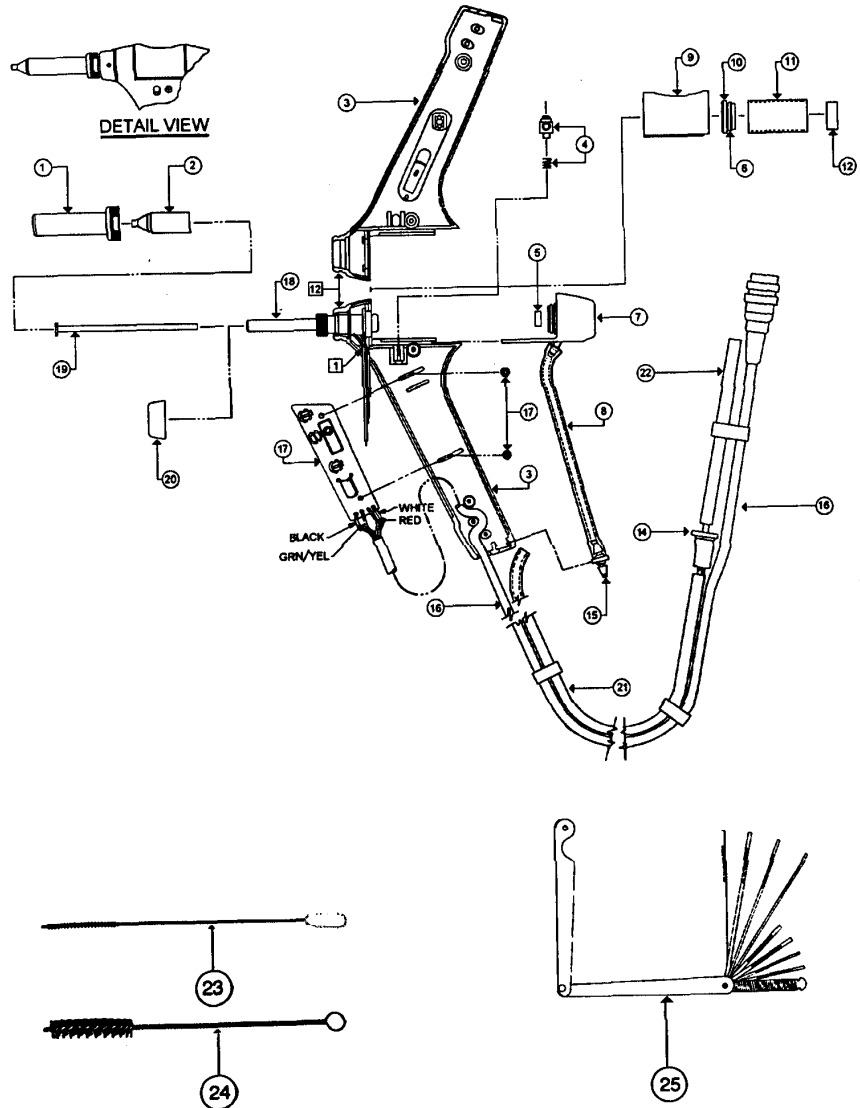
Electronic Desoldering InLine Pencil



ITEM NO.	PART NO.	DESCRIPTION	ITEM NO.	PART NO.	DESCRIPTION
1	5039	Tip Retainer Assembly	11	5043	Vacuum Tube (Secondary Filter To Base)
2		Tip	12	2047	Secondary Filter
3	5040	Heater Assembly W/ Heat Shield	13	5044	Cordset Assembly
4	5041	Handle Halves W/ Button & Screws	14	4091	Stainless Steel Wire Brush
5	4084	"S" Filter (Pack of 5)	15	4092	Nylon Bristle Brush
6	4082	Solder Chamber (Glass)	16	2002	Tip Cleaning Tool
7	4083	Felt Filter (Pack 10)			
8	4085	End Cap W/ Rear Seal			
9	5035	Vacuum Tube (Handle To Secondary Filter)			
10	5042	Switch & Circuit Board Assembly			

5098AS

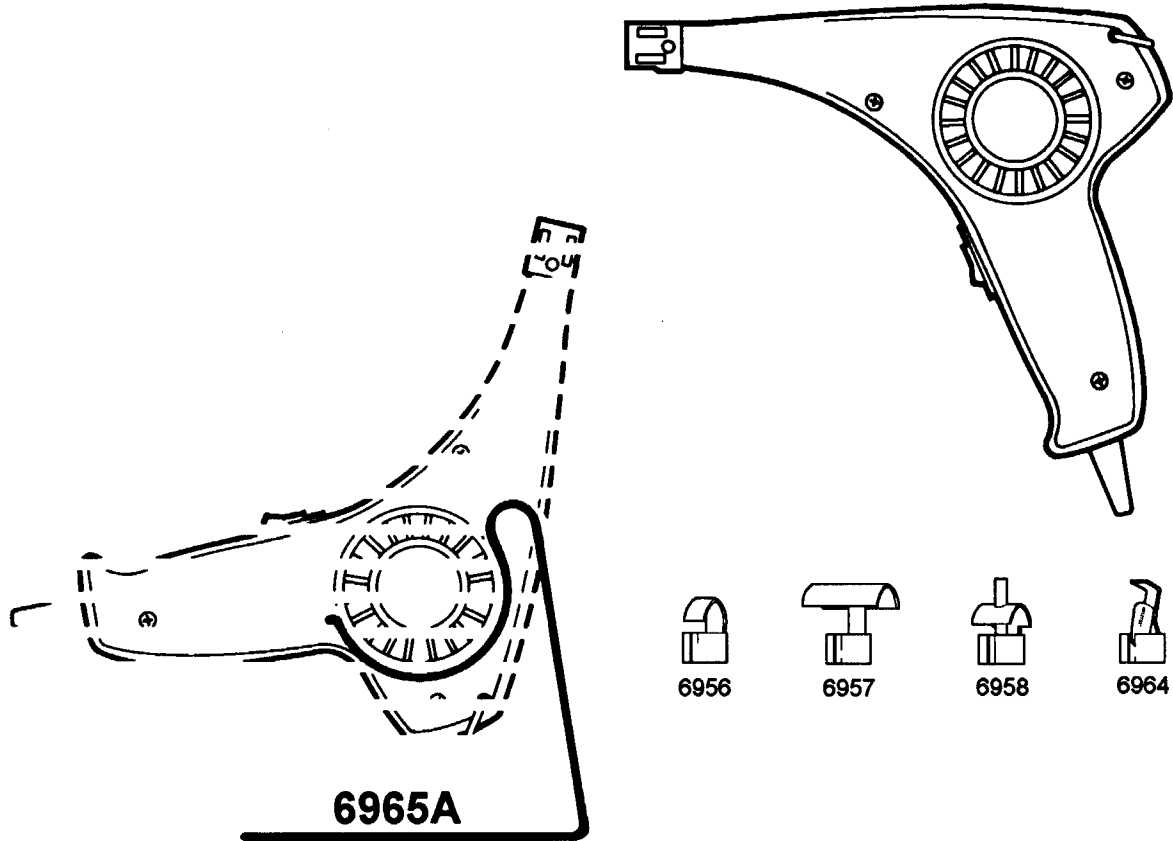
Electronic Desoldering Pistol



ITEM NO.	PART NO.	DESCRIPTION	ITEM NO.	PART NO.	DESCRIPTION
1	5020	Tip Retainer Assembly	14	2047	Secondary Filter
2		Tip	15	5029	Barbed Tube Connector
3	5021	Handle Halves W/ Button & Screws	16	5030	Cordset Assembly
4	5022	Switch Release W/ Spring	17	5031	Circuit Board Assembly W/ Fasteners
5	5037	Safety Filter (10 Pack)	18	5032	Heater Assembly
6	2036	O-Ring (Pack of 6)	19	5033	Solder Delivery Tube
7	5023	Rear Seal Assembly W/ Safety Filter	20	5034	Handle Ferrule
8	5024	Vacuum Tube (Handle)	21	5035	Vacuum Tube (Handle To Secondary Filter)
9	5025	Solder Caddy	22	5036	Vacuum Tube (Secondary To Filter To Base)
10	5026	Front Seal (Teflon) W/ O-Ring	23	4091	Stainless Steel Brush
11	5027	Solder Chamber (Glass)	24	4092	Nylon Bristle Brush
12	5028	Primary Filter (10 Pack)	25	2002	Tip Cleaning Tool

6966C

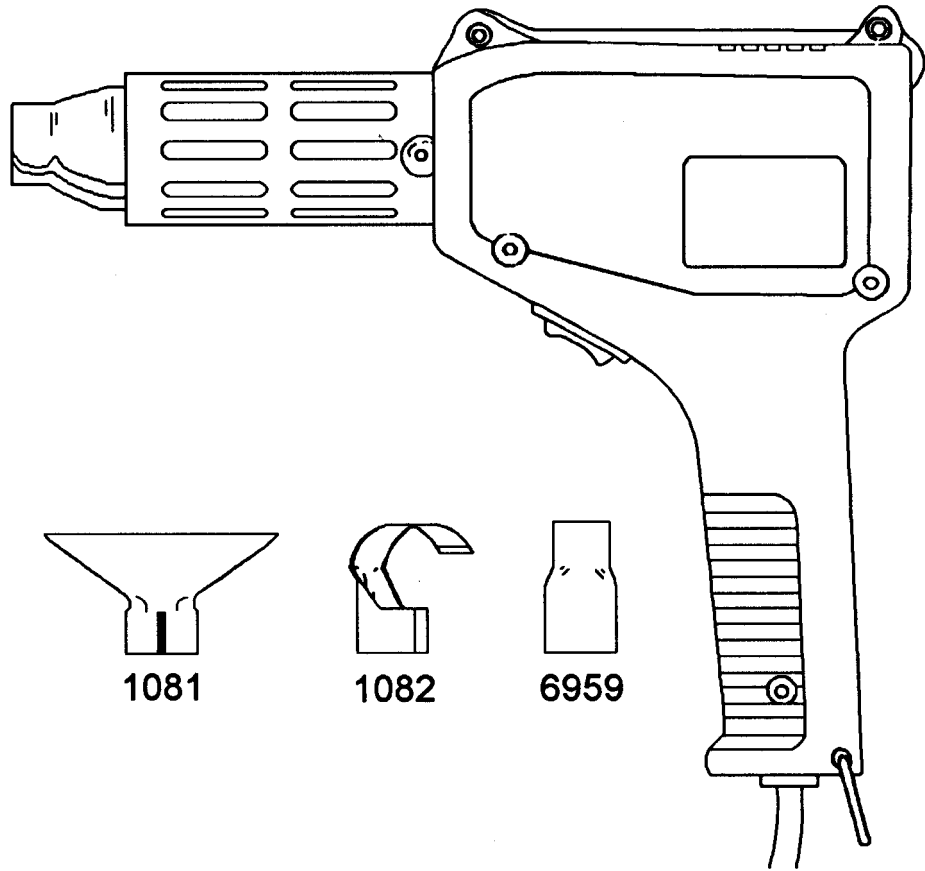
Industrial Heat Gun



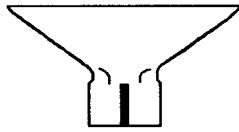
ITEM NO.	PART NO.	DESCRIPTION	ITEM NO.	PART NO.	DESCRIPTION
168		Cone and Insulator	6964		Precision Reflector
182		Heating Element W/Diode Assembly	6965A		Heat Gun Holder
183		Motor and Scroll Assembly			
185		Ferrule With Screw			
187		3-Wire Cord Assembly			
188		Hot-Off-Cold Switch			
189		Left and Right Enclosures			
6956		1/2" Large Reflector			
6957		1 1/2" Large Reflector			
6958		Reducing Baffle			

6970

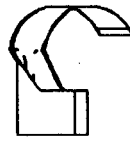
Heat Gun, Heavy Duty



1080



1081



1082

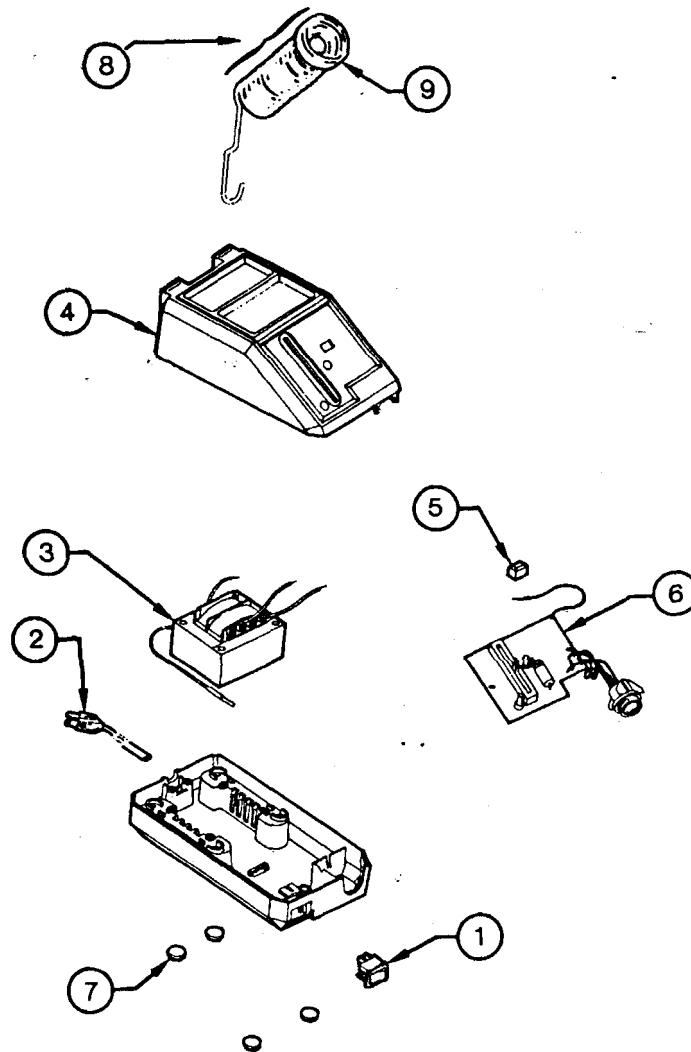


6959

ITEM NO.	PART NO.	DESCRIPTION	ITEM NO.	PART NO.	DESCRIPTION
	1095	Dual Temperature Heat Gun			
	1080	Reducer for Concentrating Heat			
	1081	Scraper for Paint Stripping			
	1082	Reflector for Heat Shrink Tubing/ Caps			
	1085	Baffle Kit			
	6959	Baffle Adaptor			
	6995	Heat Gun Stand			
	R290	Left and Right Enclosure			
	R291	Scroll Assembly			

921ZX1

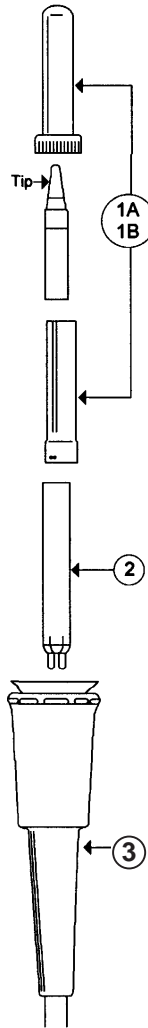
Electronic Soldering System



ITEM NO.	PART NO.	DESCRIPTION	ITEM NO.	PART NO.	DESCRIPTION
1	4365	Rocker Switch		2115	Temperature Lock (not shown)
2	9951	Power Cord			
3	9952	Transformer Assembly			
4	N/A	Cover Assembly/Label/Tray, Anti-Static			
5	N/A	Knobs for Slide Control			
6	2103	PCB Assembly for 9900AS			
7	9956	RubberFeet (4)			
8	N/A	Iron Holder with Ceramic Mouthpiece			
9	N/A	Mouthpiece - Ceramic			
	9904	Replacement Sponge (not shown)			

9211

Soldering Irons for 921ZX1 System (cont.)

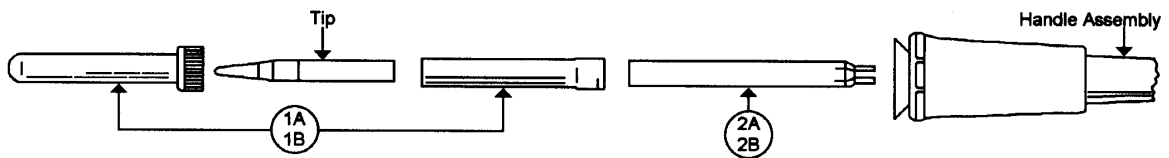
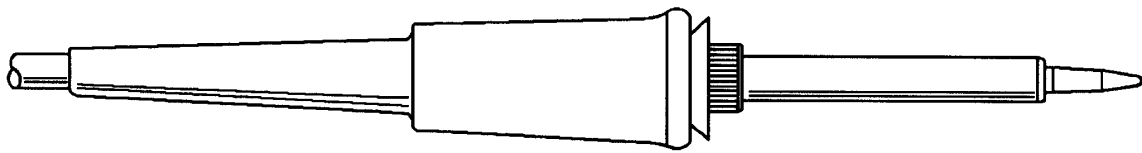


9211

ITEM NO.	PART NO.	DESCRIPTION	ITEM NO.	PART NO.	DESCRIPTION
1A	9037	Tip Retainer Assy./ Support Tube for 9211 Standard Tips			
1B	9919	Tip Retainer Assy./ Support Tube for 9211 Thermal Thrust Tips			
2	9908	Ceramic Heater for 9211			
3	9211	Handle Assembly 9211			

9300 Series

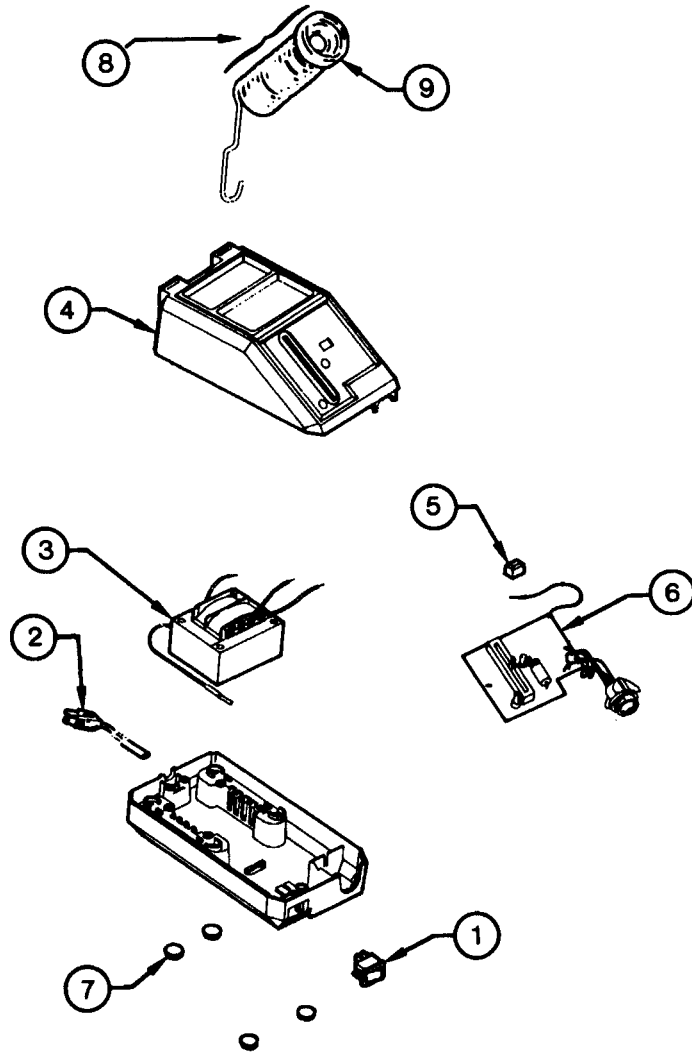
Temperature Regulated Irons



ITEM NO.	PART NO.	DESCRIPTION	ITEM NO.	PART NO.	DESCRIPTION
1A	9037	Tip Retainer Assy. and Support Tube for Standard Tips			
1B	9919	Tip Retainer Assy. and Support Tube for Thermal Thrust Tip			
2A	9357	700°F Ceramic Heater			
2B	9358	800°F Ceramic Heater			
	9054	Adaptor for Princess Tips			

9900AS

Electronic Soldering System

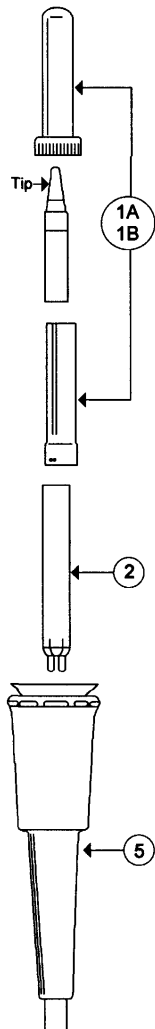


ITEM NO.	PART NO.	DESCRIPTION	ITEM NO.	PART NO.	DESCRIPTION
1	9950	Unlighted Rocker Switch	9902		Temperature Lock (Not Shown)
2	9951	Power Cord	9903		Handle Switch Lock (Not Shown)
3	9952	Transformer Assembly	9906		Fuse (5/ pkg) 2 Amp, 250VAC
4	9953AS	Cover Assembly/ Label/ Tray, Anti-Static	9907		Calibration Lock
5	9954	Knobs for Slide Control			
6	9955AS	PCB Assembly for 9900AS			
7	9956	Rubber Feet (4)			
8	9923UG	Iron Holder with Ceramic Mouthpiece			
9	9924UG	Mouthpiece-Ceramic			
	9901	Replacement Sponge (not shown)			

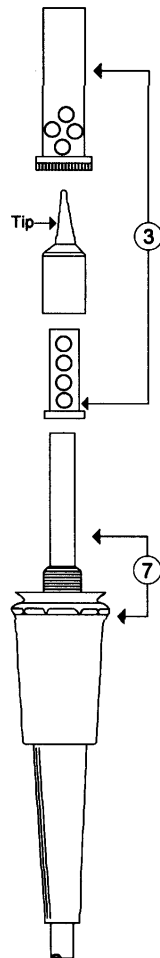
See Illustration Next Page

9911AS,/9931AS/ 9941AS

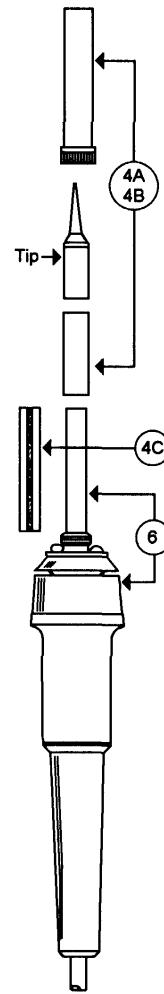
Soldering Irons for 9900AS System (cont.)



9911AS



9941AS

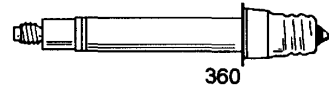
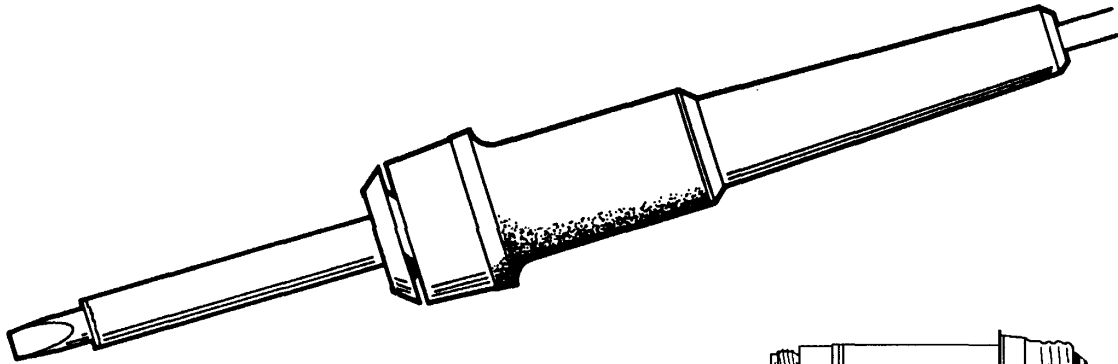


9931AS

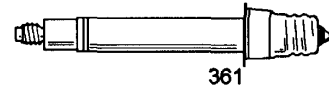
ITEM NO.	PART NO.	DESCRIPTION	ITEM NO.	PART NO.	DESCRIPTION
1A	9037	Tip Retainer Assy./ Support Tube for 9911AS Standard Tips			
1B	9919	Tip Retainer Assy./ Support Tube for 9911HC Thermal Thrust Tips			
2	9908	Ceramic Heater for 9911AS and 9911HC			
3	9942	Tip Retainer Assy. W/ Spacer for 9941AS			
4A	9932	Tip Retainer Assy. W/ Spacer for 9931AS Standard Tips			
4B	9933	Tip Retainer Assy. W/ Spacer for 9931AS Thermal Thrust Tips			
4C	9909	Thermal Sleeve for 9931AS			
5		Handle Assembly 9911AS/9911HC			
6		Heater/ Handle Assembly, 9931AS			
7		Heater/ Handle Assembly, 9941AS			

DI[®] Series

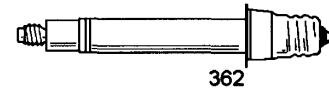
Double Insulated



360



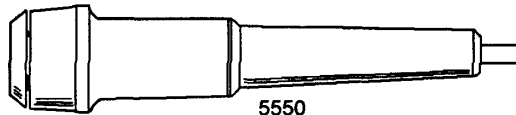
361



362



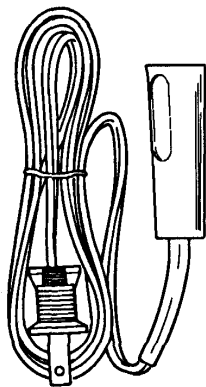
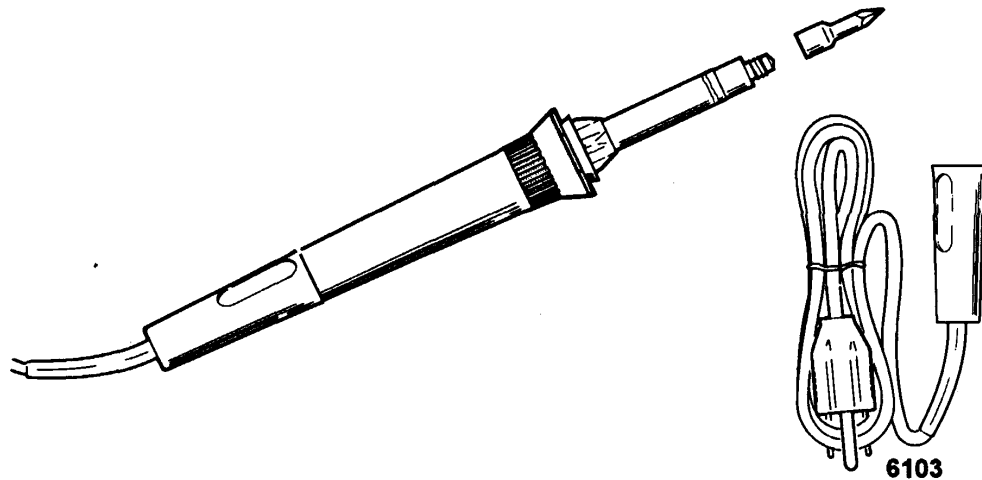
363



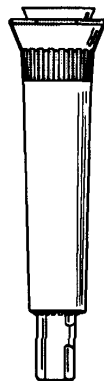
5550

ITEM NO.	PART NO.	DESCRIPTION	ITEM NO.	PART NO.	DESCRIPTION
	360	27W Heater for 1/4" Thread-On Tips			
	361	35W Heater for 1/4" Thread-On Tips			
	362	45W Heater for 1/4" Thread-On Tips			
	363	45W Heater, Integral Chisel Tip			
	5550	Double Insulated 2-Wire Handle			
	555XR	Double Insulated Handle, 20' Cord			
	555XT	Double Insulated Handle, 9' Cord			

Imperial® Series



6102



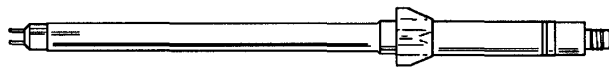
6100



6202



6201



6200

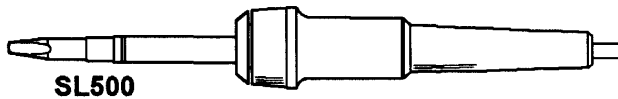
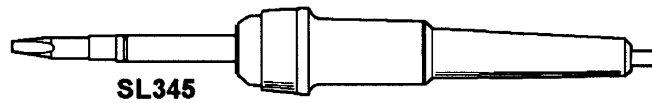
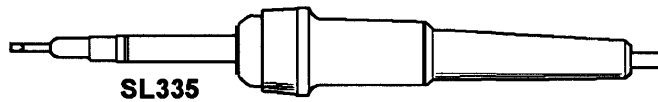
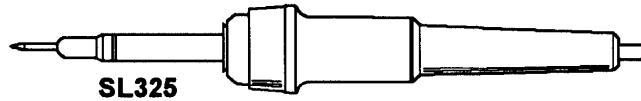


6203

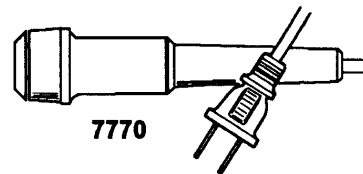
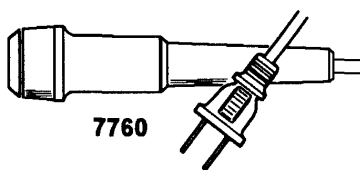
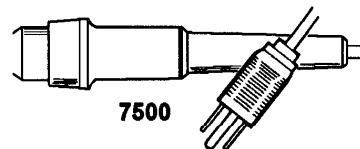
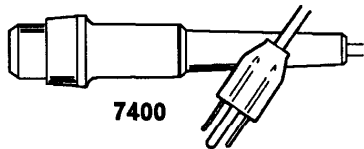
ITEM NO.	PART NO.	DESCRIPTION	ITEM NO.	PART NO.	DESCRIPTION
	6100	Perma-Cool Handle		9902	Temperature Lock (Not Shown)
	6102	2-Wire Cord Set		9903	Handle Switch Lock (Not Shown)
	6103	3-Wire Cord Set		9906	Fuse (5/ pkg)
	6200	45W Heater for Imperial Tips		9907	Calibration Lock
	6201	35W Heater for Imperial Tips			
	6202	25W Heater for Imperial Tips			
	6203	55W Heater for Imperial Tips			
	6010	Imperial Kit includes: 6100 Handle, 6102 2-Wire Cord Set, 6200 45W Heater and 3 soldering tips (6318, 6312, 6331)			

Standard Series

Modular Soldering Irons/Handles



Handles



ITEM NO.	PART NO.	DESCRIPTION	ITEM NO.	PART NO.	DESCRIPTION
	7400	3-Wire Grounded Handle			
	7500	3-Wire Grounded Handle			
	7760	Red 2-Wire Handle			
	7770	Blue 2-Wire Handle			

Standard Series

Standard Series Heating Elements

23 Watts



535S
Approx. 700°F
Unit for 1/8"
Thread-In Tips



537S
Approx. 700°F
Unit for 1/4"
Thread-On Tips



533S
Approx. 800°F
Iron Clad
Silver Plated
Long Taper



536S
Approx. 900°F
Iron Clad
Silver Plated
Pyramid Tip
Point .015"



539S
Approx. 900°F
Iron Clad
Silver Plated
Short Taper
Chisel Point
.218"

33 Watts



1235S
Approx. 800°F
Unit for 1/8"
Thread-In Tips



1237S
Approx. 800°F
Unit for 1/4"
Thread-On Tips



1233S
Approx. 900°F
Iron Clad
Silver Plated
Long Taper



1236S
Approx. 900°F
Iron Clad
Silver Plated
Pyramid Tip
Point .015"



1239S
Approx. 1000°F
Iron Clad
Silver Plated
Short Taper
Chisel Point
.218"

45 Watts



4035S
Approx. 900°F
Unit for 1/8"
Thread-In Tips



4037S
Approx. 900°F
Unit for 1/4"
Thread-On Tips



4033S
Approx. 1000°F
Iron Clad
Silver Plated
Long Taper



4036S
Approx. 1100°F
Iron-Clad,
Silver Plated
Pyramid Tip
Point .031"



4039S
Approx. 1100°F
Iron-Clad,
Silver Plated
Tip, Short
Taper Chisel
Point .280"

50 Watts



37
Approx. 1000°F
Unit for 1/4"
Thread-On Tips



33
Approx. 1100°F
Iron-Clad
Silver Plated
Long Taper Chisel



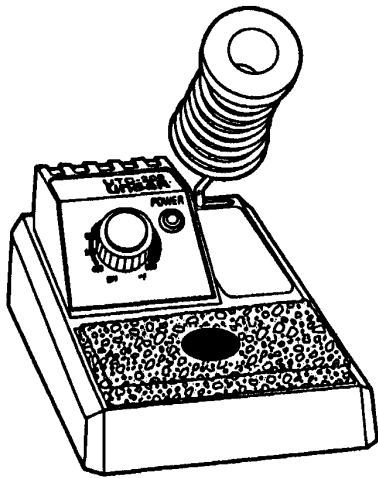
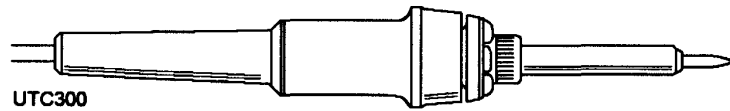
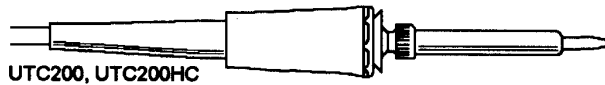
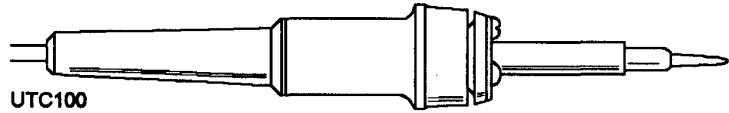
**Heaters for 8300 Series
Temperature-Regulated Irons**

8370 - 700°F
Use Series 80-94 Tips
See page 46.

ITEM NO.	PART NO.	DESCRIPTION	ITEM NO.	PART NO.	DESCRIPTION
	533S	23W Heater, Long Chisel Tip		4033S	45W Heater, Long Chisel Tip
	535S	23W Heater for Thread-In Tips		4035S	45W Heater for Thread-In Tips
	536S	23W Heater, Pyramid Tip		4036S	45W Heater, Pyramid Tip
	537S	23W Heater for Thread-On Tips		4037S	45W Heater for Thread-On Tips
	539S	23W Heater, Short Chisel Tip		4039S	45W Heater, Short Chisel Tip
	1233S	33W Heater, Long Chisel Tip		33	50W Heater, Long Chisel Tip
	1235S	33W Heater for Thread-In Tips		37	50W Heater for Thread-On Tips
	1236S	33W Heater, Pyramid Tip		8370	700°F Heater for Temp. Regulated Irons
	1237S	33W Heater for Thread-On Tips			
	1239S	33W Heater, Short Chisel Tip			

UTC100/ 200,/200HC,/300

Electronic Soldering System



ITEM NO.	PART NO.	DESCRIPTION	ITEM NO.	PART NO.	DESCRIPTION
	UTC131	Macro-Size Iron Assembly for UTC100		9919	Tip Retainer Assy. for UTC 200 Thermal Thrust Tips
	UTC231	Micro-Size Iron for UTC200		9932	Tip Retainer Assy. for UTC300 Standard Tips
	UTC233	Ceramic Heater for UTC200 & UTC200 HC		9933	Tip Retainer Assy. for UTC300 Thermal Thrust Tips
	UTC234	Sponge			
	UTC235	Sponge Tray for UTC200/ 200HC/ 300			
	UTC241	Micro-Size Iron for UTC200HC			
	UTC331	High Capacity Iron for UTC300			
	9037	Tip Retainer Assy. for UTC200 Standard Tips			
	9054	Adapter for 1/8" Princess Tips for UTC200			
	9128	Fuse 2 AMP, 250 Volt Slo Blo			